

For easy support of the lower run - steel support tray

Simple one-piece steel support trays for the e-chain® lower run to your requirements and specification. Your width, height and colour - we supply the fitting e-chain® together with the support tray system, ready to install onto your machine or application. Save time on procurement and design.

- Complete system, ready to install
- Avoids costly custom designs
- Easy installation onto your machine, on profiles or wall brackets
- igus® steel support tray - in 2 types and 4 options available
- For many e-chain® widths available from stock, with many mounting options

Series Part No.	e-chains® <i>B_I</i> [mm]*	<i>B_{Ra}</i> [mm]	<i>B_{Rl}</i> [mm]	Material	Page
Type 01 for series:					
● E2.26 ● E2.38 ● 2400/2450/2480/2500 ● 2600/2650/2680/2700					
● E4.31L/R4.31L ● E4.38L/R4.38L ● E4Q.34/H4Q.34					
● E4.21 ● E4.28/R4.28 ● E4.32/H4.32/R4.32					
● EF61.29/E61.29 ● E6.29/R6.29 ● E61.35 ● E6.35 ● E61.40 ● E6.40/R6.40					
S9.010/011.05.XXXX.0	.05 / .050	89	80	steel, black	1358
S9.010/011.07.XXXX.0	.07 / .070	114	105	steel, black	1358
S9.010/011.10.XXXX.0	.10 / .100	139	130	steel, black	1358
S9.010/011.15.XXXX.0	.15 / .150	185	175	steel, black	1358
Type 02 for series:					
● E2.48 ● 3400/3450/3480/3500					
● E4.48L/R4.48L ● E4.64L ● E4Q.44/H4Q.44 ● E4Q.58/H4Q.58 ● E4Q.82/H4Q.82					
● E4.42/H4.42/R4.42 ● E4.56/H4.56/R4.56 ● E4.80/H4.80/R4.80					
● 14040/14140/R18840 ● 14240/14340 ● 14550/14650/19050					
● 15050/15150/R19850 ● 15250/15350					
● E61.52 ● E6.52/R6.52 ● E61.62 ● E6.62 ● E61.80 ● E6.80					
S9.020/021.10.XXXX.0	.10 / .100	167	156	steel, black	1360
S9.020/021.15.XXXX.0	.15 / .150	217	206	steel, black	1360
S9.020/021.20.XXXX.0	.20 / .200	267	256	steel, black	1360
S9.020/021.25.XXXX.0	.25 / .250	317	306	steel, black	1360

**B_I* depends on width-index

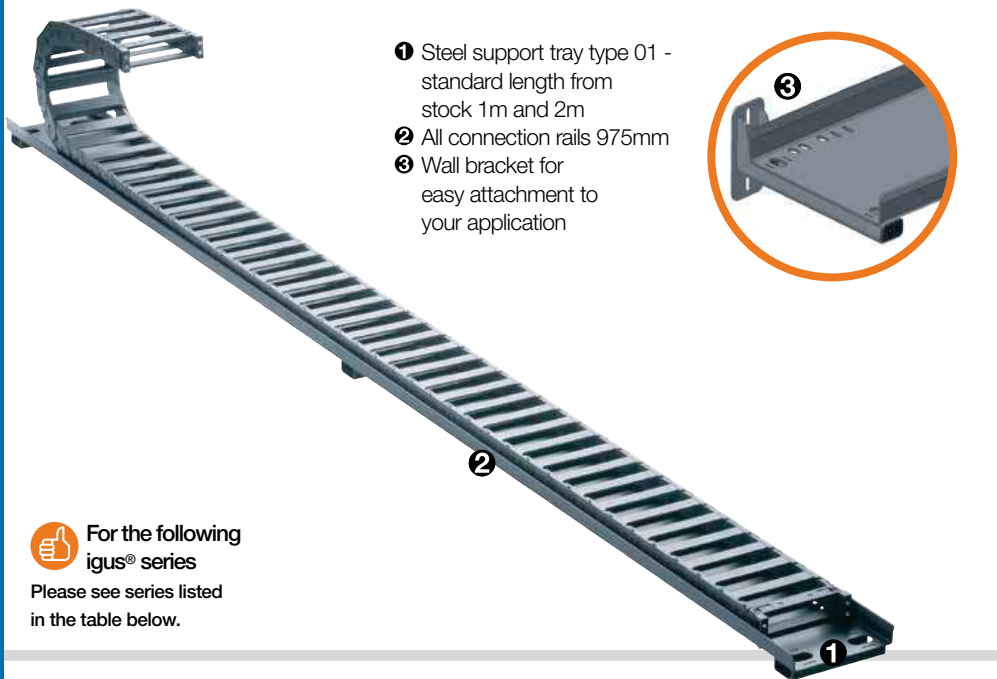
Available from stock. Ready to ship in 24 - 48hrs.*

*Average time before the ordered goods are dispatched.



Steel support tray with bracket for easy attachment to your application

Standard lengths from stock 1m and 2m



- ❶ Steel support tray type 01 - standard length from stock 1m and 2m
- ❷ All connection rails 975mm
- ❸ Wall bracket for easy attachment to your application

For the following igus® series

Please see series listed in the table below.

Type 01 | Series S9.010. | S9.011. | Product range

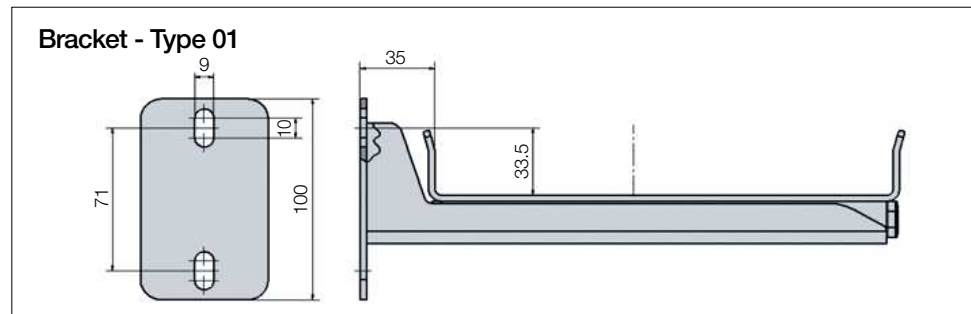
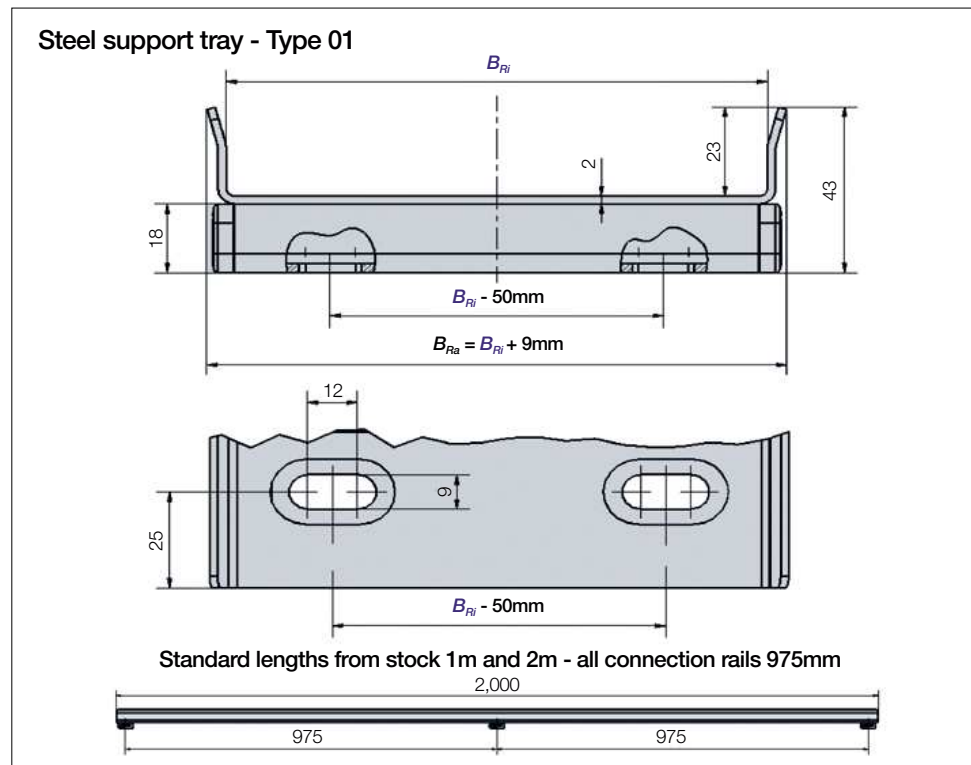
For system	Suitable for the following series	Width index	B_{Ra} [mm]	B_{Ri} [mm]	Part No. support tray, single	Part No. with wall bracket	Part No. wall bracket, single
		.05.	89	80	S9.010.05.XXXX.0	S9.011.05.XXXX.0	907.724.05.0
E2.1	E2.26	.07.	114	105	S9.010.07.XXXX.0	S9.011.07.XXXX.0	907.724.07.0
E2/000	2400/2450/2480/2500	.10.	139	130	S9.010.10.XXXX.0	S9.011.10.XXXX.0	907.724.10.0
E2.1	E2.38	.05.	89	80	S9.010.05.XXXX.0	S9.011.05.XXXX.0	907.724.05.0
E2/000	2600/2650/2680/2700	.07.	114	105	S9.010.07.XXXX.0	S9.011.07.XXXX.0	907.724.07.0
E4.1L	E4.38L/R4.38L	.10.	139	130	S9.010.10.XXXX.0	S9.011.10.XXXX.0	907.724.10.0
E4Q	E4Q.34/H4Q.34	.15.	185	175	S9.010.15.XXXX.0	S9.011.15.XXXX.0	907.724.15.0
E4.1	E4.32/H4.32/R4.32	.05.	89	80	S9.010.05.XXXX.0	S9.011.05.XXXX.0	907.724.05.0
E6.1	EF61.29/E61.29	.070.	114	105	S9.010.07.XXXX.0	S9.011.07.XXXX.0	907.724.07.0
E6	E6.29/R6.29	.100.	139	130	S9.010.10.XXXX.0	S9.011.10.XXXX.0	907.724.10.0
E6.1	E61.35						
E6	E6.35						
E4.1L	E4.31L/R4.31L	.050.	89	80	S9.010.05.XXXX.0	S9.011.05.XXXX.0	907.724.05.0
E4.1	E4.28/R4.28	.070.	114	105	S9.010.07.XXXX.0	S9.011.07.XXXX.0	907.724.07.0
E6.1	E61.40	.100.	139	130	S9.010.10.XXXX.0	S9.011.10.XXXX.0	907.724.10.0
E6	E6.40/R6.40	.150.	185	175	S9.010.15.XXXX.0	S9.011.15.XXXX.0	907.724.15.0

Please replace XXXX by the standard lengths 1,000mm or 2,000mm available from stock

The lengths and widths mentioned here are available from stock in the standard black colour.

For other lengths, widths and colours, please contact us.

Installation dimensions and mounting holes



Order key

S9.010.07.1000.0

Standard length: 1m

Steel support tray

Without bracket

Width e-chain®

Length 1,000mm

Colour, powdered black

Order key

S9.011.15.2000.0

Standard length: 2m

Steel support tray

With bracket

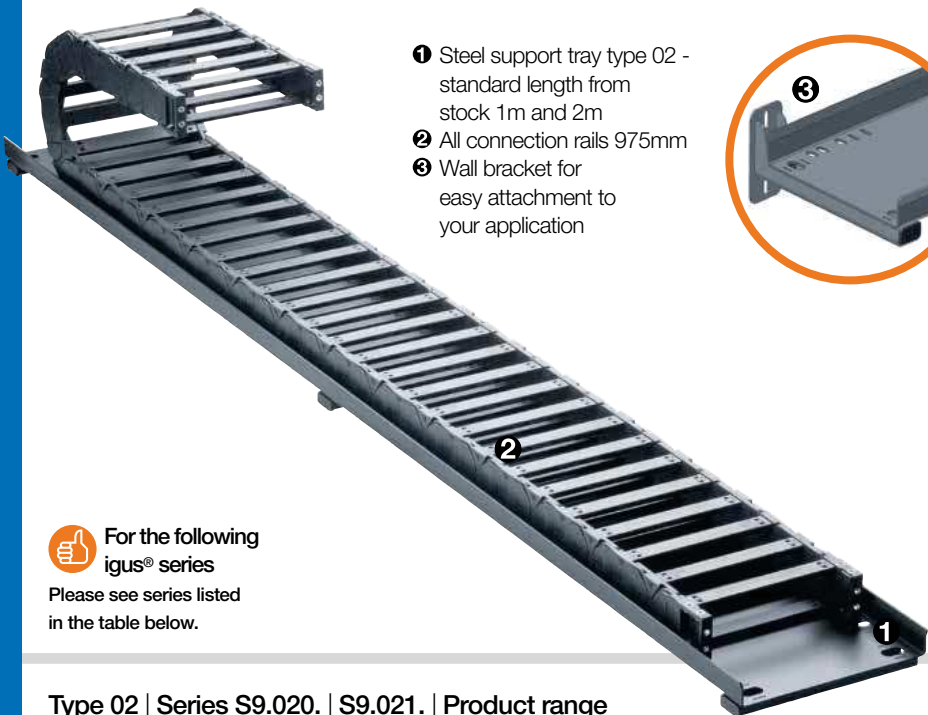
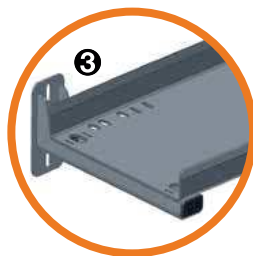
Width e-chain®

Length 2,000mm

Colour, powdered black

Standard lengths from stock 1m and 2m

- ❶ Steel support tray type 02 - standard length from stock 1m and 2m
- ❷ All connection rails 975mm
- ❸ Wall bracket for easy attachment to your application



For the following igus® series

Please see series listed in the table below.

Type 02 | Series S9.020. | S9.021. | Product range

For system	Suitable for the following series	Width index	B_{Ra} [mm]	B_{Ri} [mm]	Part No. support tray, single	Part No. with wall bracket	Part No. wall bracket, single
E4.1L	E4.48L/R4.48L	.10.	167	156	S9.020.10.XXXX.0	S9.021.10.XXXX.0	907.759.010.0
E4.1L	E4.64L	.15.	217	206	S9.020.15.XXXX.0	S9.021.15.XXXX.0	907.759.015.0
E4Q	E4Q.44/H4Q.44	.20.	267	256	S9.020.20.XXXX.0	S9.021.20.XXXX.0	907.759.020.0
E4Q	E4Q.58/H4Q.58	.25.	317	306	S9.020.25.XXXX.0	S9.021.25.XXXX.0	907.759.025.0
E4.1	E4.42/H4.42/R4.42						
E4.1	E4.56/H4.56/R4.56						
E4.1	E4.80/H4.80/R4.80						
E4/light	14040/14140/R18840						
E4/light	14240/14340						
E4/light	14550/14650/19050						
E4/light	15050/15150/R19850						
E4	15250/15350						
E6.1	E61.62						
E6	E6.62						
E6.1	E61.80						
E6	E6.80						
E2.1	E2.48	.100.	167	156	S9.020.10.XXXX.0	S9.021.10.XXXX.0	907.759.010.0
E2/000	3400/3450/3480/3500	.150.	217	206	S9.020.15.XXXX.0	S9.021.15.XXXX.0	907.759.015.0
E6.1	E61.52	.200.	267	256	S9.020.20.XXXX.0	S9.021.20.XXXX.0	907.759.020.0
E6	E6.52/R6.52	.250.	317	306	S9.020.25.XXXX.0	S9.021.25.XXXX.0	907.759.025.0

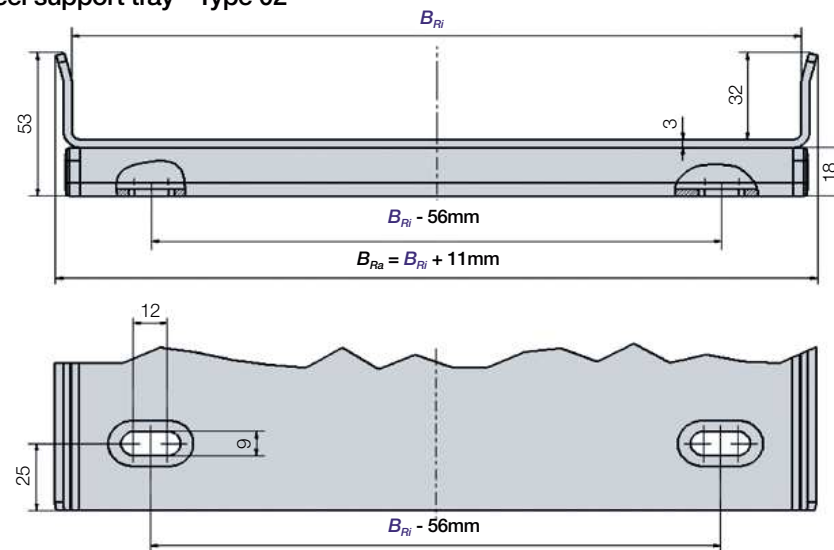
Please replace XXXX by the standard lengths 1,000mm or 2,000mm available from stock

The lengths and widths mentioned here are available from stock in the standard black colour.

For other lengths, widths and colours, please contact us.

Installation dimensions and mounting holes

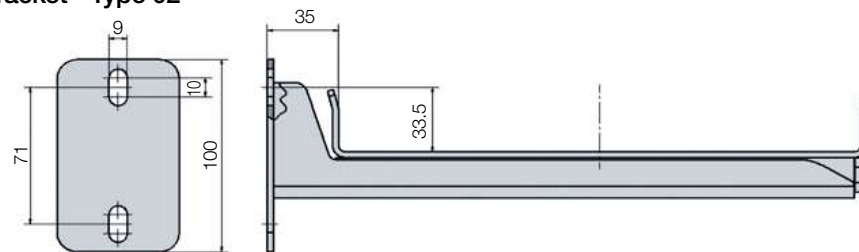
Steel support tray - Type 02



Standard lengths from stock 1m and 2m - all connection rails 975mm



Bracket - Type 02



Order key

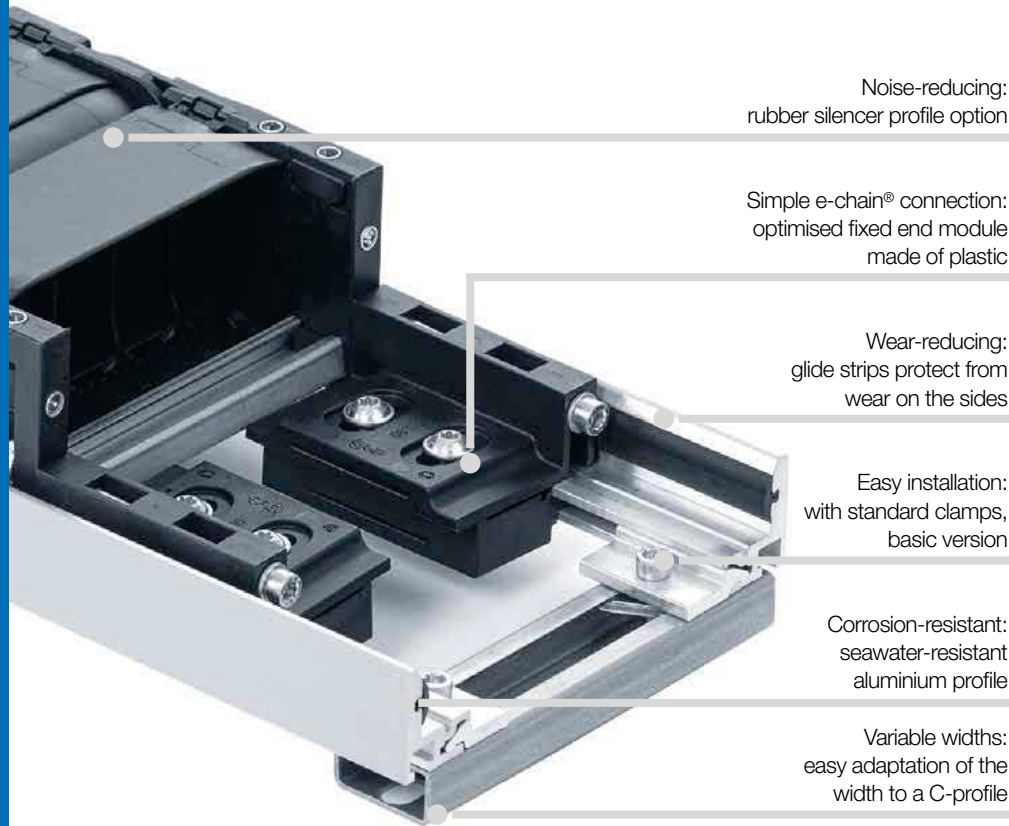
S9.020.20.1000.0

- Standard length: 1m
- Steel support tray without bracket
- Width e-chain®
- Length 1,000mm
- Colour, powdered black

Order key

S9.021.20.2000.0

- Standard length: 2m
- Steel support tray with brackets
- Width e-chain®
- Length 2,000mm
- Colour, powdered black



Noise-reducing:
rubber silencer profile option

Simple e-chain® connection:
optimised fixed end module
made of plastic

Wear-reducing:
glide strips protect from
wear on the sides

Easy installation:
with standard clamps,
basic version

Corrosion-resistant:
seawater-resistant
aluminium profile

Variable widths:
easy adaptation of the
width to a C-profile

The flexible construction kit to support the lower run - aluminium support tray

The design of this aluminium support tray emulates the igus® aluminium SuperTrough. This modular construction kit covers the standard sizes of our e-chains®. Because of its flexible width adjustment using installation sets with C-profiles, the aluminium support tray is used with various e-chains® series and widths. A support trough consists of 2 trough side parts with 2m length. Standard installation sets can be used, just as for the aluminium SuperTrough.

- Corrosion-resistant, seawater-resistant aluminium profile
- Wear-reducing glide strips integrated as standard
- Quiet movement of the e-chain® due to optional silencer profile
- Simple assembly on flexible width C-profiles with basic clamps
- e-chain® easily connects to aluminium support tray using plastic fixed end modules
- Open guide trough design, debris can fall through
- Conductivity according to DIN EN 61537 - standard

Part No. without silencer profile	Part No. with silencer profile	Outer height H_{Ra} [mm]	Part No. Installation set	Side part material	Page
9AT.35.SL	9AT.35.SLA	35	960AT.30.XXX*	Aluminium	1362



Aluminium support tray
available with and without silencer profile
For the following systems:
● E2.1 ● E2/000 ● R2.1 ● E4.1L ● E4.1 ● E6.1 ● E6

*XXX = C-profile length

 Available from stock. Ready to ship in 24 - 48hrs.*
*Average time before the ordered goods are dispatched.



An aluminium support tray consists of two 2m trough side parts each with 2m length

Aluminium support tray | Individual parts

Components, guide troughs and components, mounting kits

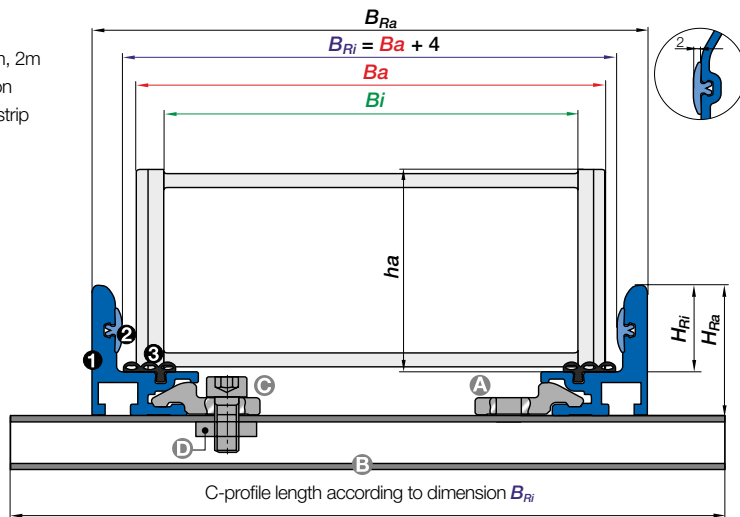
Components

- ❶ Trough side parts, aluminium, 2m
- ❷ Glide strip, plastic, 2m section
- ❸ Optional: noise dampening strip

Components, installation set

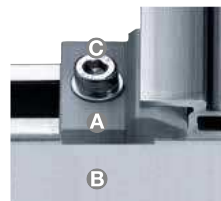
- Ⓐ Bottom clamp, aluminium
- Ⓑ C-profile¹⁾, galvanised steel
- Ⓒ Allen wrench
- Ⓓ Sliding nut

- Ba = e-chain[®] outer width
- Bi = e-chain[®] inner width
- ha = e-chain[®] outer height
- H_{Ri} = Trough inner height
- H_{Ra} = Trough outer height
- B_{Ri} = Trough inner width
- B_{Ra} = Trough outer width

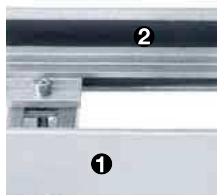


1) C-profile also available in 304 stainless steel. Material 1.4301 (AISI 304)

Aluminium support tray | Features



Simple fastening with basic bottom clamp and C-profile



Wear-reducing due to glide strips



Noise-reducing with silencer profile option

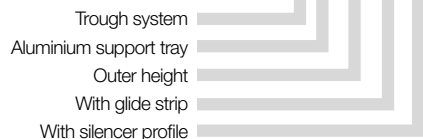


Simple connection to the e-chain[®] with the fixed end module

Order example | Based on Part No. 9AT.35.SLA

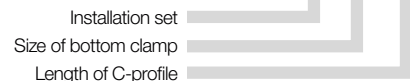
Order key guide trough

9AT.35.SLA



Order key installation set

960AT.30.125

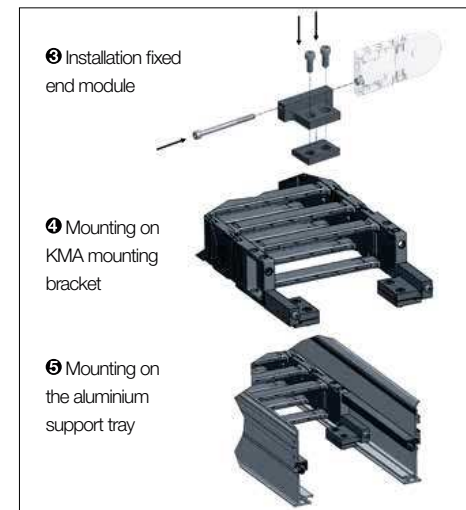
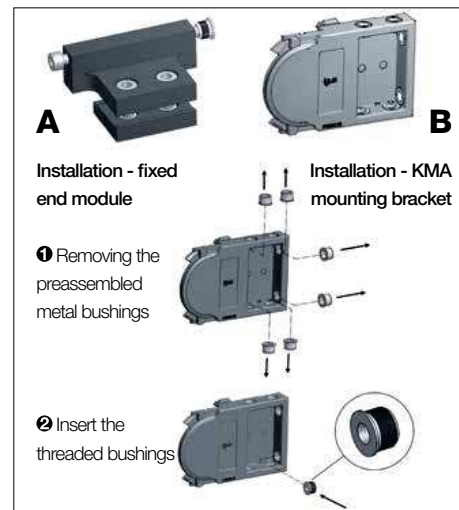


Aluminium support tray | Fixed end module

Quick and simple fastening onto the aluminium support tray

Fixed end module - to attach the e-chain[®] into the aluminium support tray

- Mounting bracket attachment on the aluminium support tray without drilling
- Fixed end module is clamped to the trough
- Save installation time
- Minimise errors from drilling your own holes
- Stainless and cost-effective



Fixed end module | Fixed end clamp | Product range

Series	For aluminium support tray	For e-chain [®] Series	From inner width Bi [mm]	Mounting bracket
971.80.4 ¹⁾	9AT.35.SL 9AT.35.SLA	E2.26, 2400/2500/2450/2480, E6.29, EF61.29/E61.29	.07	KMA
972.80.4 ¹⁾	9AT.35.SL 9AT.35.SLA	E4.31L/R4.31L, E4.28/R4.28, E6.35, E61.35	.06	KMA
972.80.4 ¹⁾	9AT.35.SL 9AT.35.SLA	E4.38L/R4.38L, E4Q.34/H4Q.34, E4.32/H4.32/R4.32, E6.40/R6.40, E61.40	.06	KMA
972.80.4 ¹⁾	9AT.35.SL 9AT.35.SLA	2600/2700/2650/2680	.06	KMA

More series available upon request

1) Material: plastic. Material screw kits: standard steel, galvanised. Option: 316 stainless steel, material 1.4571 (AISI 316Ti), standard steel, galvanised.

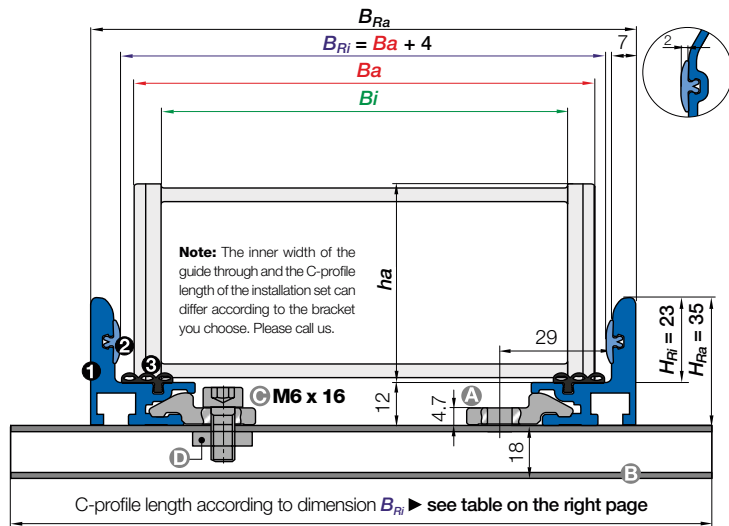


Available from stock. Ready to ship in 24 - 48hrs.*

*Average time before the ordered goods are dispatched.

For the following igus® series

- E2.1**
- E2.26
- E2/000**
- 2400/2500/2450/2480
- 2600/2700/2650/2680
- E4.1L**
- E4.31L/R4.31L
- E4.38L/R4.38L
- E4Q**
- E4Q.34/H4Q.34
- E4.1**
- E4.28/R4.28
- E4.32/H4.32/R4.32
- E6.1**
- EF61.29/E61.29
- E61.35
- E61.40
- E6**
- E6.29
- E6.35
- E6.40/R6.40



Aluminium support tray | Full set

Trough side parts sets - consisting of part ① ② ③	Part No.	Weight
1 set of 2 trough side parts, incl. glide strips, without silencer profile, 2m section	9AT.35.SL	≈ 3.470kg
1 set of 2 trough side parts, incl. glide strips, with silencer profile, 2m section	9AT.35.SLA	≈ 3.714kg

Installation sets A B C D	Part No.	Weight
1 installation set without C-profile	960.30	upon request
1 installation set with C-profile (C-profile length according to dimension B_{Ri})	960AT.30.XXX*	upon request

*Please add the C-profile length XXX as shown on the tables (right side). Example: 960AT.30.150

Aluminium support tray | Components as individual parts

Individual parts, trough	Part No.	Weight
① 1 trough side part, individual, 2m section	9AT.35.11	≈ 1.673kg
② 1 glide strip, plastic, individual, 2m section	75.01	≈ 0.062kg
③ 1 Silencer profile, rubber, individual, 2m section (optional for an additional noise dampening)	75.67.H.2000	≈ 0.122kg
Individual parts, installation set	Part No.	Weight
A 1 bottom clamp, aluminium individual	75.40	≈ 0.03kg
B 1 C-profile, individual (C-profile length according to dimension B_{Ri})	92.52.XXX.E*	≈ 0.90kg/m
C 1 screw M6 x 16, individual	MAT 0040209 / M6 x16	
D 1 glide nut, individual	MAT 0040057 / M6	
Additional option for simple fastening of the e-chain® without drilling	Part No.	
1 set fixed end module. More information ► Page 1365	971.80.4 / 972.80.4	

*Please add the C-profile length XXX as shown on the tables (right side). Example: 92.52.125.E

C-profile also available in 304 stainless steel. Material 1.4301 (AISI 304). Please add index .E to the Part No.

C-profile lengths

For aluminium support tray with fixed end module

(depending to dimension B_{Ri}), bottom clamp attached inwards

E2.26			2400/2500/2450/2480			2600/2700/2650/2680			E4.31L/R4.31L			E4.28/R4.28		
Width index	B_{Ri} [mm]	Part No. attached inwards	Width index	B_{Ri} [mm]	Part No. attached inwards	Width index	B_{Ri} [mm]	Part No. attached inwards	Width index	B_{Ri} [mm]	Part No. attached inwards	Width index	B_{Ri} [mm]	Part No. attached inwards
.07	97	960AT.30.150	.07	97	960AT.30.150	.06	85	960AT.30.150	.062	80	960AT.30.150	.062	86	960AT.30.150
.09	109	960AT.30.175	.09	109	960AT.30.175	.07	95	960AT.30.150	.075	93	960AT.30.150	.070	94	960AT.30.150
.10	123	960AT.30.175	.10	123	960AT.30.175	.09	110	960AT.30.175	.087	105	960AT.30.175	.075	99	960AT.30.150
.12	145	960AT.30.200	.12	145	960AT.30.200	.10	120	960AT.30.175	.100	118	960AT.30.175	.087	111	960AT.30.175
						.12	145	960AT.30.200	.112	130	960AT.30.200	.100	124	960AT.30.175
						.15	170	960AT.30.225	.125	143	960AT.30.200	.125	149	960AT.30.200
						.17	198	960AT.30.250	.137	155	960AT.30.225	.150	174	960AT.30.225
									.150	168	960AT.30.225	.175	199	960AT.30.250
									.162	180	960AT.30.250	.200	224	960AT.30.275
									.175	193	960AT.30.250	.225	249	960AT.30.300

E4.38L/R4.38L			E4Q.34/H4Q.34			E4.32/H4.32/R4.32		
Width index	B_{Ri} [mm]	Part No. attached inwards	Width index	B_{Ri} [mm]	Part No. attached inwards	Width index	B_{Ri} [mm]	Part No. attached inwards
.062	82	960AT.30.150	.075	102	960AT.30.150	.06	95	960AT.30.150
.075	95	960AT.30.150	.087	114	960AT.30.175	.07	102	960AT.30.150
.087	107	960AT.30.175	.100	127	960AT.30.175	.087	114	960AT.30.175
.100	120	960AT.30.175	.108	135	960AT.30.200	.10	127	960AT.30.175
.105	125	960AT.30.175	.112	140	960AT.30.200	.11	135	960AT.30.200
.112	132	960AT.30.200	.125	152	960AT.30.200	.112	140	960AT.30.200
.125	145	960AT.30.200	.137	165	960AT.30.225	.12	152	960AT.30.200
.137	157	960AT.30.225	.150	177	960AT.30.225	.137	165	960AT.30.225
.150	170	960AT.30.225	.162	190	960AT.30.250	.15	177	960AT.30.225
.162	182	960AT.30.250	.168	195	960AT.30.250	.162	190	960AT.30.250
.175	195	960AT.30.250	.175	202	960AT.30.250	.17	195	960AT.30.250
.187	207	960AT.30.275	.187	215	960AT.30.275	.18	202	960AT.30.250
.200	220	960AT.30.275	.200	227	960AT.30.275	.187	215	960AT.30.275
.212	232	960AT.30.300	.212	240	960AT.30.300	.20	227	960AT.30.275
.225	245	960AT.30.300	.225	252	960AT.30.300	.212	240	960AT.30.300
.237	257	960AT.30.325	.237	265	960AT.30.325	.23	252	960AT.30.300
.250	270	960AT.30.325	.250	277	960AT.30.325	.237	265	960AT.30.325
.262	282	960AT.30.325	.262	290	960AT.30.350	.25	277	960AT.30.325
.275	295	960AT.30.350	.275	302	960AT.30.350	.262	290	960AT.30.350
.287	307	960AT.30.350	.287	315	960AT.30.375	.28	302	960AT.30.350
.300	320	960AT.30.375	.300	327	960AT.30.375	.29	315	960AT.30.375
.312	332	960AT.30.375	.312	340	960AT.30.400	.30	327	960AT.30.375
.325	345	960AT.30.400	.325	352	960AT.30.400	.312	340	960AT.30.400
.337	357	960AT.30.400	.337	365	960AT.30.425	.325	352	960AT.30.400
.350	370	960AT.30.425	.350	377	960AT.30.425	.337	365	960AT.30.425
.362	382	960AT.30.450	.362	390	960AT.30.450	.350	377	960AT.30.425
.375	395	960AT.30.450	.375	402	960AT.30.450	.362	390	960AT.30.450
.387	407	960AT.30.450	.387	415	960AT.30.475	.375	402	960AT.30.450
.400	420	960AT.30.475	.400	427	960AT.30.475	.387	415	960AT.30.475
						.400	427	960AT.30.475

E61.40			E6.40/R6.40		
Width index	B_{Ri} [mm]	Part No. attached inwards	Width index	B_{Ri} [mm]	Part No. attached inwards
.200	218	960AT.30.275	.275	299	960AT.30.350
.300	324	960AT.30.375			

EF61.29/E61.29			E6.29/R6.29			E61.35			E6.35		
Width index	B_{Ri} [mm]	Part No. attached inwards	Width index	B_{Ri} [mm]	Part No. attached inwards	Width index	B_{Ri} [mm]	Part No. attached inwards	Width index	B_{Ri} [mm]	Part No. attached inwards
.070	90	960AT.30.150	.070	90	960AT.30.150	.060	84	960AT.30.150	.060	84	960AT.30.150
.080	100	960AT.30.150	.080	100	960AT.30.150	.070	94	960AT.30.150	.070	94	960AT.30.150
.090	110	960AT.30.175	.090	110	960AT.30.175	.080	104	960AT.30.150	.080	104	960AT.30.150
.100	120	960AT.30.175	.100	120	960AT.30.175	.090	114	960AT.30.175	.090	114	960AT.30.175
.110	130	960AT.30.200	.110	130	960AT.30.200	.100	124	960AT.30.175	.100	124	960AT.30.175
.120	140	960AT.30.200	.120	140	960AT.30.200	.110	134	960AT.30.200	.110	134	960AT.30.200
						.120	144	960AT.30.200	.120	144	960AT.30.200