

Compact lubrication pump series CLP Basic / CLP Basic Plus

# A new standard in lubrication performance

For use in small progressive lubrication systems in mobile and industrial applications



EASY AND  
INTUITIVE  
TO USE



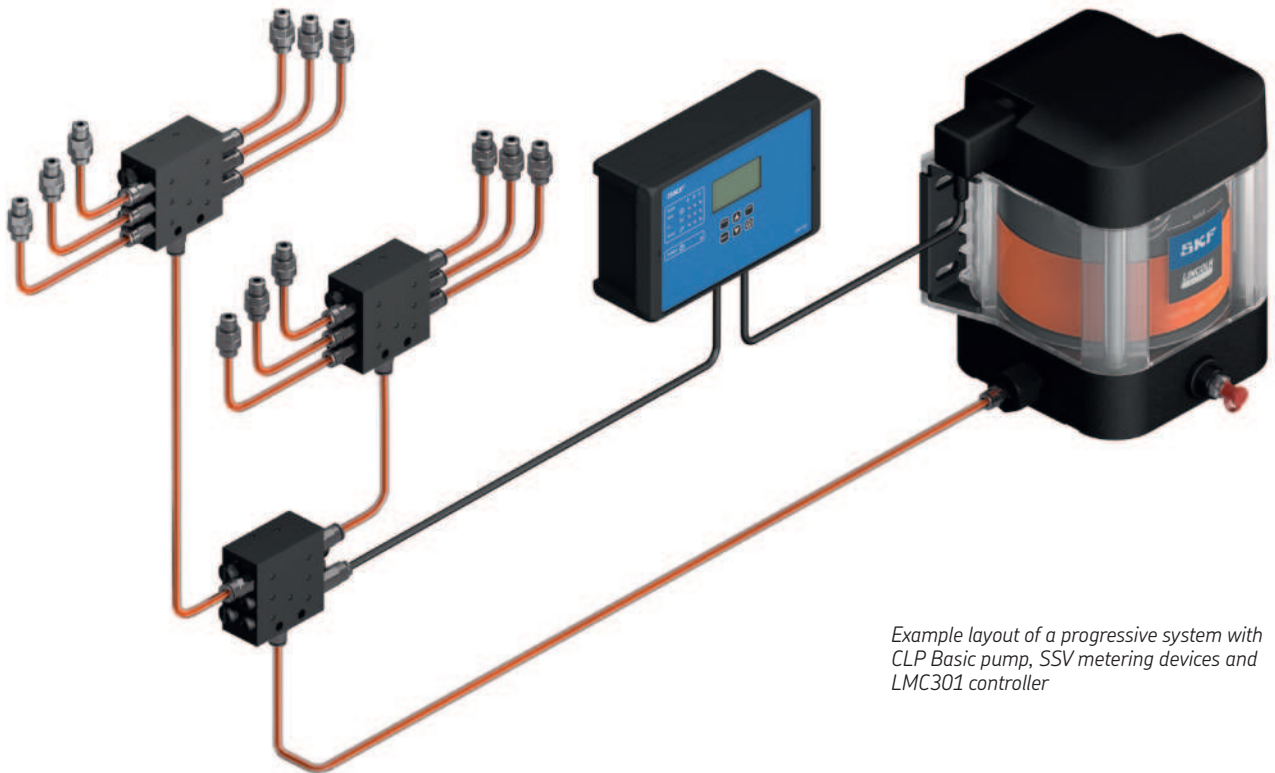
# A new standard in lubrication performance

## CLP Basic and Basic Plus

The new pump series CLP is the first of the new SKF eLube generation. It works in small progressive lubrication systems.

The lightweight, simple and easy-to-use pump stands out with its compact design and reliable functionality in mobile and industrial applications. To fit the specific needs of the applications, several electrical and monitoring features have been tailored.

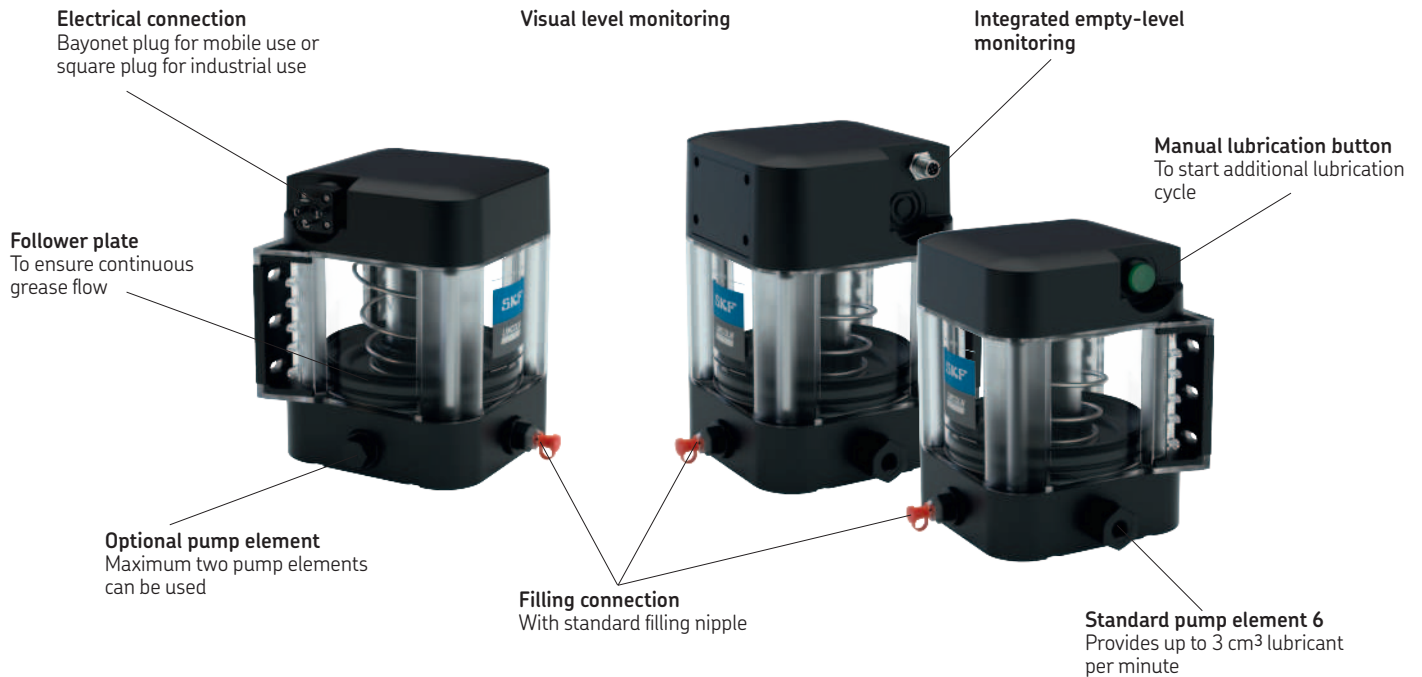
All CLP models are suitable for grease applications and come with a follower plate to support continuous grease flow. To refill the pumps easily, they are equipped with an easy-to-access standard grease nipple.



*Example layout of a progressive system with CLP Basic pump, SSV metering devices and LMC301 controller*

## CLP Basic

## CLP Basic Plus



The fill level can be visually monitored at each pump model. Basic Plus variants feature integrated empty-level monitoring that informs the user before the pump runs out of lubricant. Both Basic and Basic Plus variants can be controlled via an external lubrication controller or the machine control system.

Basic Plus variants for mobile use come with a manual lubrication button to start an extra lubrication cycle. This helps to quickly check proper function of the system.

### CLP Basic / Basic Plus common main features

- Lubricant: greases NLGI 0 to 2
- 1-liter reservoir
- Filling from bottom by grease nipple
- Visual-level monitoring
- Follower plate
- Control via external lubrication controller or machine control system
- Pump element 6 mounted on the right side, providing a delivery volume of ~3 cm<sup>3</sup>/min

### Features depending on model \*:

- Power supply 12 / 24 V DC
- Additional electrical empty-level monitoring
- Additional manual lubrication button
- Electrical connections on the left side:
  - Bayonet plug, 7 pole A coded (power, signal and manual lubrication)
  - Bayonet plug, 4 pole A coded (power supply)
  - Square plug, A coded (power supply)
- Electrical connection on the right side:
  - M12x1,4 pole A coded (signal output)

\* Double check the description per model

# Pre-defined models make ordering easy and improve lead time

The easiest and fastest way to order the new CLP pumps is to choose a pre-defined package. By ordering a pre-defined, standard model, you get a fully equipped pump specifically configured for mobile or industrial use. These packages meet all standard requirements of these applications.

 **CLP Basic**  
12V for mobile use



**Material number CLP-EGXX1-000020**

- 12 V DC
- Compliance E1/ CE
- Pump element 6

+ Bayonet plug, 4 pole A coded <sup>1)</sup>, on the left side

 **CLP Basic**  
24V for mobile use



**Material number CLP-EGXX2-000020**

- 24 V DC
- Compliance E1/ CE
- Pump element 6

+ Bayonet plug, 4 pole A coded <sup>1)</sup>, on the left side

 **CLP Basic**  
24V for industrial use



**Material number CLP-XGXX2-000022**

- 24 V DC
- Compliance CE
- Pump element 6

+ Square plug, A coded <sup>1)</sup>, on the left side

 **CLP Basic Plus**  
12V for mobile use



**Material number CLP-EG1XY1-000021**

- 12 V DC
- Compliance E1/ CE
- Pump element 6

+ Empty-level monitoring

+ Bayonet plug, 7 pole A coded <sup>1)</sup> <sup>2)</sup> <sup>4)</sup>, on the left side

+ Additional manual lubrication button, on the right side

 **CLP Basic Plus**  
24V for mobile use



**Material number CLP-EG1XY2-000021**

- 24 V DC
- Compliance E1/ CE
- Pump element 6

+ Empty-level monitoring

+ Bayonet plug, 7 pole A coded <sup>1)</sup> <sup>2)</sup> <sup>4)</sup>, on the left side

+ Additional manual lubrication button, on the right side

 **CLP Basic Plus**  
24V for industrial use



**Material number CLP-XG1XX2-000023**

- 24 V DC
- Compliance CE
- Pump element 6

+ Empty-level monitoring

+ Square plug, A coded <sup>1)</sup>, on the left side

+ M12x1, 4 pole A coded <sup>3)</sup>, on the right side

1 Power  
2 Signal input  
3 Signal output  
4 Manual lubrication

### Comparison CLP model features

	CLP Basic			CLP Basic Plus		
						
Material number	CLP-EGXXX1-0000020	CLP-EGXXX2-0000020	CLP-XGXXX2-0000022	CLP-EG1XY1-0000021	CLP-EG1XY2-0000021	CLP-XG1XX2-0000023
Application	Mobile	Mobile	Industry	Mobile	Mobile	Industry
Voltage	12 V DC	24 V DC	24 V DC	12 V DC	24 V DC	24 V DC
Compliance	E1/CE	E1/CE	CE	E1/CE	E1/CE	CE
Visual level monitoring	•	•	•	•	•	•
Electrical empty-level monitoring	–	–	–	•	•	•
Manual lubrication button	–	–	–	•	•	–
Electrical connection left						
Bayonet plug						
4 pole A coded	• 1)	• 1)	–	–	–	–
7 pole A coded	–	–	–	• 1) 2) 4)	• 1) 2) 4)	–
Square plug, A coded	–	–	• 1)	–	–	• 1)
Electrical connection right						
M12x1, 4 pole A coded	–	–	–	–	–	• 3)
Grease NLGI 0 to 2	•	•	•	•	•	•
Standard filling from front	•	•	•	•	•	•
Follower plate	•	•	•	•	•	•
Pump element 6 (right)	•	•	•	•	•	•

- 1 Power
- 2 Signal input
- 3 Signal output
- 4 Manual lubrication

### Technical data for all CLP Basic and Basic plus models

Function principle	Electrically operated lubrication pump	
Lubricants	Greases: NLGI 0 to 2	
Max. working pressure	270 bar	3 916 psi
Operating temperature	-25 to +65°C	-13 to +149°F
Usable reservoir volume	1 l	0.26 gal
Number of pump elements	max. 2	
Pump element <sup>1)</sup>	6	
Lubricant output <sup>2)</sup>	~3 cm <sup>3</sup> /min	
IP-protection class <sup>3)</sup>	IP 6K9K	
Corrosion class	C3	
Voltages	12 / 24 V DC	
Operating current	up to 3 A (max. peak), nominal 1,2 A	
Relative duty cycle	15% ED S3 30 minutes	
Electrical protection class	III	
Outlet connection	G <sup>1</sup> / <sub>4</sub>	
Mounting position	Upright	
Dimensions depending on model (max. H×W×D <sup>4)</sup> )		
CLP Basic mobile	212×187×190 mm	8.34×7.36×7.48 in
CLP Basic industry	212×187×190 mm	8.34×7.36×7.48 in
CLP Basic Plus mobile	212×187×190 mm	8.34×7.36×7.48 in
CLP Basic Plus industry	235×187×190 mm	9.25×7.36×7.48 in
Weight (empty)	5 kg	11 lb

<sup>1</sup> Pump element 6 is included in the standard packages (→page 4).

Other pump elements can be ordered using the spare part / additional component list (→page 6/7)

<sup>2</sup> Lubricant output depending on pump element

<sup>3</sup> Protection class depending on electrical connection

<sup>4</sup> Depth with standard filling nipple

## Spare parts / Additional components <sup>1)</sup>

Pump elements <sup>2)</sup>		Nominal output	
		cm <sup>3</sup> /min	in <sup>3</sup> /min
600-26875-2	Pump element 5	1.90	0.12
600-26876-2	Pump element 6	3.04	0.19
600-26877-2	Pump element 7	4.18	0.26
655-28716-1	Pump element R	0.7-3.3	0.04-0.2
Adapters and closure screw <sup>2)</sup>			
519-33840-1	Adapter with lubrication fitting ST 1/4 NPTF		
519-33959-1	Adapter with lubrication fitting A2 AR 1/4		
519-33955-1	Adapter with lubrication fitting ST AR 1/4		
519-60445-1	Closure screw M22x 1,5		
Pressure control valve			
270 864	SVTSV-270-R1/4-1/8NPTFI-NIPOOR-A		
624-77803-1	SVTSV-270-R1/4-6-NIPOOL		
624-77802-1	SVTSV-270-R1/4-6-NIPOOR		
Power cables			
664-34167-9	Bayonet socket, 4 pole with cable 10 m		
664-34428-3	Bayonet socket, 7 pole with cable 10 m		
664-36078-7	Square socket with cable 10 m (black)		
Others			
5590-00000002	Filling connection cartridge		
5590-00000015	Mounting bracket kit		
5590-00000014	Venting kit		

<sup>1</sup> The spare parts assemblies may be used exclusively for replacement of identical defective parts. Modifications with spare parts on existing products are not allowed. Exceptions to this are the pump elements and the optional filling connection.

<sup>2</sup> Gasket always included



For **accessories and spare parts**, please refer to the product catalogue "Progressive automatic lubrication systems"

→**PUB LS/P1 16964 EN, page 16ff**



[skf.com/lubrication](https://skf.com/lubrication) | [skf.com/clp-basic](https://skf.com/clp-basic)

® SKF and Lincoln are registered trademarks of the SKF Group.

™ eLube is a trademark of the SKF Group.

© SKF Group 2023

The contents of this publication are the copyright of the publisher and may not be reproduced (even extracts) unless prior written permission is granted. Every care has been taken to ensure the accuracy of the information contained in this publication but no liability can be accepted for any loss or damage whether direct, indirect or consequential arising out of the use of the information contained herein.

**PUB LS/P2 18918 EN** · August 2023

Certain image(s) used under license from Shutterstock.com.