

R2.1

Protection against dust and dirt ingress and quickly openable



Advantages of the R2.1 system:

- Very light, ideal for high dynamics
- Large inner height and therefore cost-effective
- Cables are protected from swarf
- Easy to fill, lids openable along the inner or outer radius, from both sides
- Low noise operation due to integrated brake
- Integrated separator, recommended for side-mounted applications



When to use another e-tube:

- Extremely swarf-resistant according to IP40
 - ▶ RX e-tubes, page 516
- For higher fill weights and unsupported lengths
 - ▶ R4.1L e-tubes, page 538



reddot design award
winner 2018

Sealed and universal: enclosed KMA mounting bracket with attachment from any side

Edge-free: smooth design, swarf cannot get stuck

Fast assembly: lids openable along the inner or outer radius, from both sides

Integrated separator notches: recommended for side-mounted applications

Protected: covered pin/bore connection

Quiet operation: due to integrated brake

Light with a large inner height: good ratio of outer to inner dimensions

Strong: double stop-dog system for long unsupported lengths


Protection against dust and dirt ingress and quickly openable - R2.1


Cost-effective, robust e-tubes with an inner height of 26, 40, 48 or 75mm. Openable and removable lids along inner or outer radius, openable from both sides. Very sealed design and strong double stop-dogs for high fill weights and unsupported lengths.


- Large inner height and therefore cost-effective
- Cables are protected from swarf
- Easy to fill, lids openable along the inner or outer radius, from both sides
- Low noise operation due to integrated brake
- Integrated separator, recommended for side-mounted applications

Typical industries and applications

- Machine tools ● Wood processing machines
- Textile machines ● General mechanical engineering
- In all areas with dirt and swarf

 e-tubes with igumid HT material for hot swarf up to +850°C available upon request

 Electrically conductive ESD e-tubes upon request

 UL94-V0 classification upon request

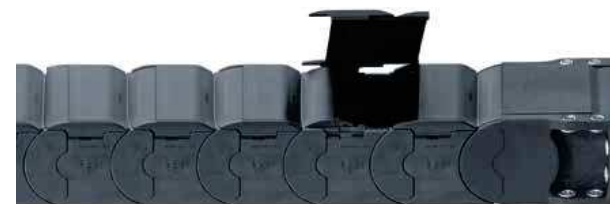
 **reddot design award winner 2018**

Series	Inner height <i>hi</i> [mm]	Inner width <i>Bi</i> [mm]	Outer width <i>Ba</i> [mm]	Outer height <i>ha</i> [mm]	Bend radius <i>R</i> [mm]	Unsupported length ≤ [m]	Page
--------	--------------------------------	-------------------------------	-------------------------------	--------------------------------	------------------------------	--------------------------	------



R2i.1 e-tubes - lids openable along the inner radius, from both sides

R2i.26	26	25 - 75	41 - 91	36	060 - 250	2.00	450
R2i.40	40	50 - 175	66.2 - 191.2	54	080 - 250	2.75	454
R2i.48	48	115 - 250	135 - 270	64	100 - 300	2.75	458



R2.1 e-tubes - lids openable along the outer radius, from both sides

R2.26	26	50 - 75	66 - 91	36	060 - 250	2.00	450
R2.40	40	75 - 175	91.2 - 191.2	54	080 - 250	2.75	454
R2.48**	48	**	**	64	100 - 300	2.75	458
R2.75	75	111 - 200	135 - 224	90	130 - 250	3.00	462

**Available upon request. Please consult igus® for delivery time.

 Available from stock. Ready to ship in 48 - 72hrs.*

*Average time before the ordered goods are dispatched.



Ideal for areas with swarf - R2.1 e-tubes are extremely tightly sealed



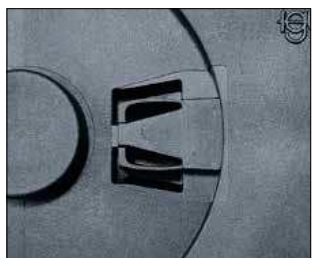
R2.1 e-tubes - lids with integrated separator notches openable along the inner and outer radius, either both sides



Pivoting and locking KMA mounting brackets for strong connection of the e-tube to the machine



Ideal for areas with swarf - R2.1 e-tubes are extremely tightly sealed



Special brake in the stop-dogs reduces noise level by up to 3dB(A)



Aluminium support tray for support of the lower run ► From page 1362



Lean separators enable extremely fast cable filling in several layers

Technical data

	Speed gliding ¹⁾ / acceleration gliding ¹⁾	upon request
	Speed FL_G / acceleration FL_G	≤ 10 [m/s] / ≤ 100 [m/s ²]
	Speed FL_B / acceleration FL_B	≤ 3 [m/s] / ≤ 6 [m/s ²]
	Material - permitted temperature °C, igumid G	-40°C / +120°C
	Flammability class, igumid G	VDE 0304 IIC UL94-HB




FL_G = unsupported with straight upper run FL_B = unsupported with permitted sag

¹⁾ Gliding applications for long travels are available upon request, please consult igus®.

Installation types, maximum travels


Series	Unsupported	Vertical hanging	Vertical standing	Side mounted unsupported
R2.26 / R2i.26	$\leq 4.0m$	$\leq 30m$	$\leq 2.0m$	$\leq 0.7m$
R2.40 / R2i.40	$\leq 5.5m$	$\leq 40m$	$\leq 3.0m$	$\leq 1.0m$
R2.48 / R2i.48	$\leq 5.5m$	$\leq 50m$	$\leq 3.0m$	$\leq 1.0m$
R2.75	$\leq 6.0m$	$\leq 50m$	$\leq 5.0m$	$\leq 2.0m$

Options with order keys | Examples based on series R2.75

i <i>Standard</i>	<i>NC version - (No Camber) without pretension</i>	<i>e-tube - no burning-in of hot swarf up to 850°C</i>	<i>ESD - electrically conductive material</i>
Part No. Standard	Part No. NC version	Part No. igumid HT	Part No. igumid ESD
			
 R2.75.111.R.0	R2.75.111.R.0.NC	R2.75.111.R.0.HT	R2.75.111.R.0.ESD
 Ready to ship in 48 - 72hrs.*	Ready to ship in 5 business days*	Ready to ship in 6 weeks*	Delivery time upon request

*Average time before the ordered goods are dispatched.

Order example | Order key and colour examples | Examples based on series R2.75

 Order example for complete e-tube (1.0m), colour black, with mounting brackets and interior separation:

e-tube (1.0m)	Please indicate e-tube length or number of links: 1.0m or 17 links	R2.75.111.130.0
+ Mounting brackets	KMA - 1 set	R2.750.111.12
Interior separation	with 2 separators assembled every 2 nd link	2 x 75.1.1
Order text:	1m R2.75.111.130.0 + R2.750.111.12 + 2 x 75.1.1	

Order key

Openable along the outer radius, from both sides

Series / Type **R2.75.111.130.0**





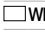


Inner height

Width index (depends on B)

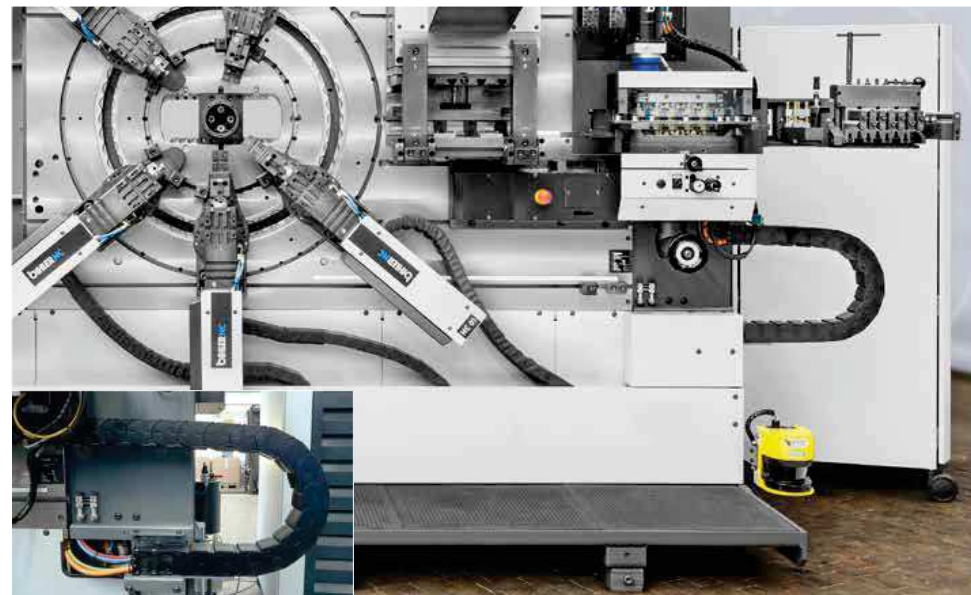
Bend radius **R**

Colour index (standard black)

Order index for colour options

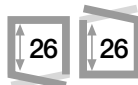
Colour	Order index	Colour	Order index
 Black	Standard .0	 Orange	Special colour .2
 Silver-grey	Special colour .31	 Yellow	Special colour .4
 White	Special colour .1	 Light grey	Special colour .14
 Grey-white	Special colour .1S		

Black e-chains® ready to ship in 48 - 72hrs.*
Above special colours upon request.



igus® R2.1 e-tube in operation in a fast stamping and bending machine to guide servo and encoder cables

Protection against dust and dirt ingress and quickly openable



e-tubes | Series R2i.26 | Lids openable along the inner radius, from both sides
 e-tubes | Series R2.26 | Lids openable along the outer radius, from both sides

Part No. e-tubes openable along the inner radius	Part No. e-tubes openable along the outer radius	Bi [mm]	Ba [mm]	R Available bend radii [mm]	R2i.26	R2.26
					[kg/m]	[kg/m]
R2i.26.025.R.0	R2.26.025.R.0*	25	41	060 075 100 125 150 175 200 250	≈ 0.870	≈ 0.870
R2i.26.038.R.0*	R2.26.038.R.0*	38	54	060 075 100 125 150 175 200 250	≈ 0.957	≈ 0.957
R2i.26.050.R.0	R2.26.050.R.0	50	66	060 075 100 125 150 175 200 250	≈ 1.044	≈ 1.044
R2i.26.075.R.0	R2.26.075.R.0	75	91	060 075 100 125 150 175 200 250	≈ 1.218	≈ 1.218
R2i.26.100.R.0*	R2.26.100.R.0*	100	116	060 075 100 125 150 175 200 250	≈ 1.392	≈ 1.392
R2i.26.130.R.0*	R2.26.130.R.0*	130	146	060 075 100 125 150 175 200 250	≈ 1.600	≈ 1.600

*Width available upon request. Please consult igus® for delivery time.

Complete Part No. with required radius (R). Example: R2i.26.050.060.0

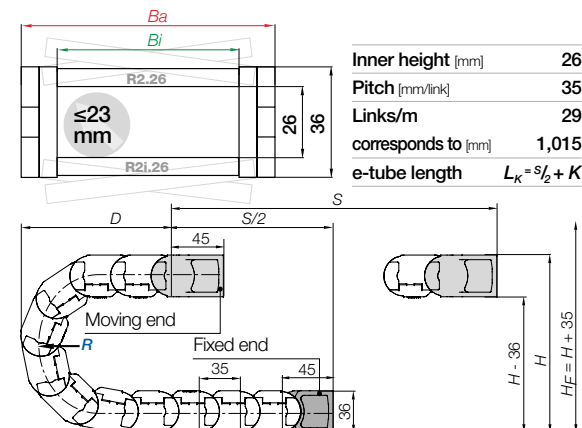
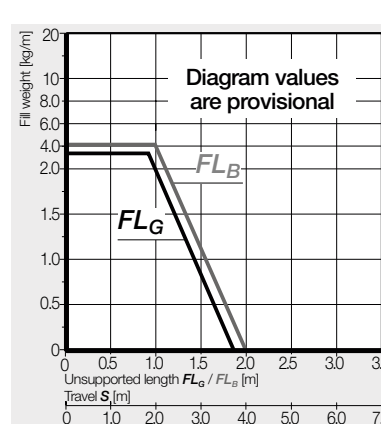
Hot swarf up to +850°C for e-tubes

- e-tubes can repel swarf up to +850°C. Special production option with the igus® material igumid HT
- No hot swarf melting or embedding into the chain

More information ► www.igus.eu/HT



Unsupported applications | Short travels



R	060	075	100	125	150	175	200	250
H	156	186	236	286	336	386	436	536
D	130.5	145.5	170.5	195.5	220.5	245.5	270	320.5
K	260	310	385	465	545	620	700	860

The required clearance height: $H_F = H + 35\text{mm}$ (with 1.5kg/m fill weight)

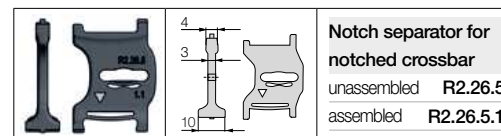
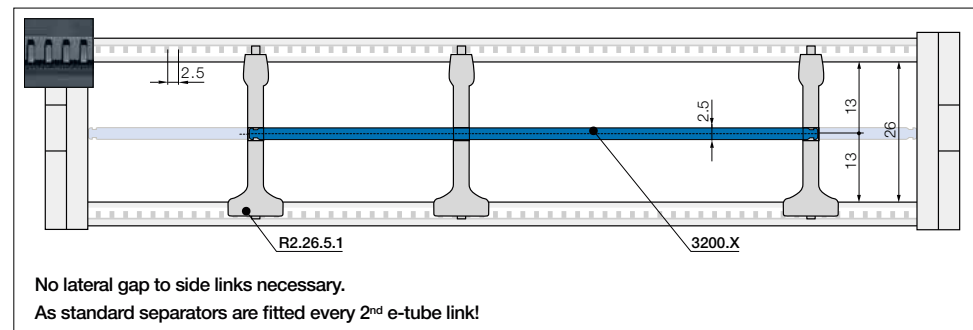
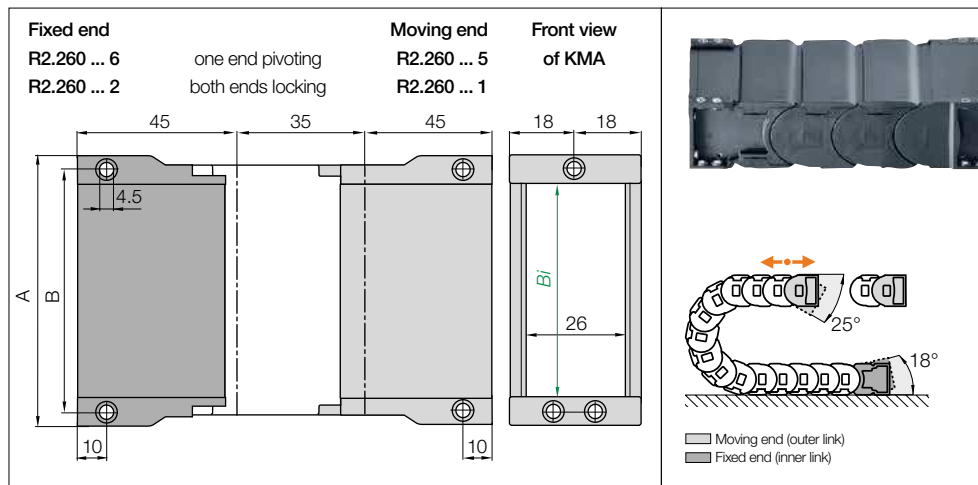


i If a gliding application is required for a long travel, please consult igus®.

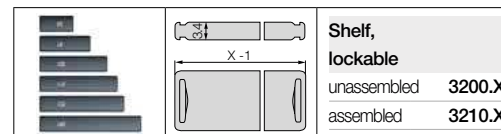
Aluminium support tray

- Corrosion-resistant and seawater-resistant aluminium rails with adjustable width
 - Noise-reducing glide strip integrated as standard
 - Easy installation and connection of the e-tube
 - Open design - dirt and debris fall through
- More information ► From page 1362





Locks securely in preset increments
 Notch separator for exact positioning. Recommended for side-mounted applications.



Horizontal separation
 Full-width shelf locks securely into separators at both ends, giving a fixed width. Can be used as full-width or partial shelf.



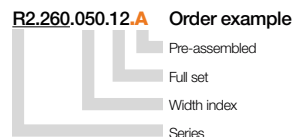
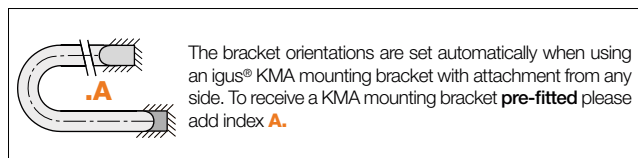
X [mm]	unassembled	assembled	X [mm]	unassembled	assembled	X [mm]	unassembled	assembled
050	3200.050	3210.050	115	3200.115	3210.115	175	3200.175	3210.175
075	3200.075	3210.075	125	3200.125	3210.125	200	3200.200	3210.200
100	3200.100	3210.100	150	3200.150	3210.150			

KMA pivoting | Recommended for unsupported applications
KMA locking | Recommended for vertical hanging and standing applications

Width index	Part No. full set KMA one end pivoting	Part No. full set KMA locking	A [mm]	B [mm]	Bi [mm]
025.	R2.260.025.56	R2.260.025.12	43	34.5	25
038.	R2.260.038.56*	R2.260.038.12*	56	47.5	38
050.	R2.260.050.56	R2.260.050.12	68	59.5	50
075.	R2.260.075.56	R2.260.075.12	93	84.5	75
100.	R2.260.100.56*	R2.260.100.12*	118	109.5	100
130.	R2.260.130.56*	R2.260.130.12*	148	139.5	130

*Width available upon request. Please consult igus® for delivery time.

(KMA = polymer metal mounting bracket)



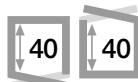
Strain relief e.g. clamps, tie-wrap plates, nuggets and clips are available from stock. The complete chainfix range with ordering options ▶ From page 1392

Separator with integrated strain relief teeth

- Can be integrated into the mounting bracket or placed at any point
 - Combines strain relief and interior separation, for restricted space conditions
 - Strain relief separator is easy to assemble without any screws
- Part No. R2.26.Z - more information ▶ From page 1424



Protection against dust and dirt ingress and quickly openable



e-tubes | Series R2i.40 | Lids openable along the inner radius, from both sides
 e-tubes | Series R2.40 | Lids openable along the outer radius, from both sides

Part No. e-tubes openable along the inner radius	Part No. e-tubes openable along the outer radius	Bi [mm]	Ba [mm]	R Available bend radii										R2i.40 [kg/m]	R2.40 [kg/m]
				[mm]	[mm]	[mm]	[mm]	[mm]	[mm]	[mm]	[mm]	[mm]	[mm]		
R2i.40.050.R.0	R2.40.050.R.0*	50	66.2	080	100	125	150	175	200	250			≈ 1.25	≈ 1.25	
R2i.40.075.R.0	R2.40.075.R.0	75	91.2	080	100	125	150	175	200	250			≈ 1.50	≈ 1.50	
R2i.40.100.R.0®	R2.40.100.R.0	100	116.2	080	100	125	150	175	200	250			≈ 1.75	≈ 1.75	
R2i.40.125.R.0*	R2.40.125.R.0*	125	141.2	080	100	125	150	175	200	250			≈ 2.00	≈ 2.00	
R2i.40.150.R.0	R2.40.150.R.0*	150	166.2	080	100	125	150	175	200	250			≈ 2.25	≈ 2.25	
R2i.40.175.R.0	R2.40.175.R.0	175	191.2	080	100	125	150	175	200	250			≈ 2.50	≈ 2.50	
R2i.40.200.R.0*	R2.40.200.R.0*	200	216.2	080	100	125	150	175	200	250			≈ 2.75	≈ 2.75	

© RBR version (Reverse Bend Radius), some radii available from stock. More information ► From page 130

*Width available upon request. Please consult igus® for delivery time.

Complete Part No. with required radius (R). Example: R2i.40.075.080.0

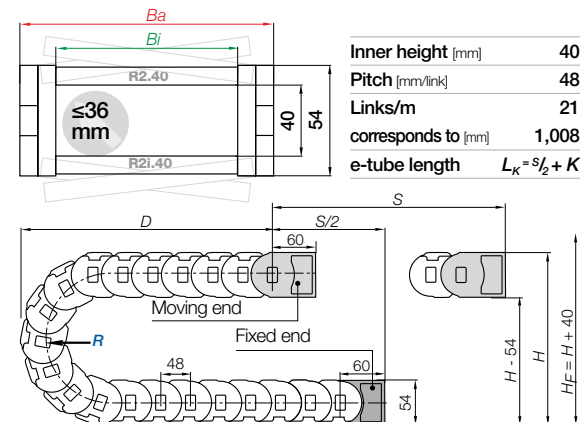
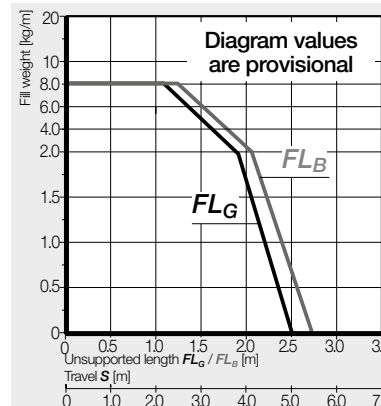
Hot swarf up to +850°C for e-tubes

- e-tubes can repel swarf up to +850°C. Special production option with the igus® material igumid HT
- No hot swarf melting or embedding into the chain

More information ► www.igus.eu/HT



Unsupported applications | Short travels



R	080	100	125	150	175	200	250
H	214	254	304	354	404	454	554
D	179	199	224	249	274	299	349
K	350	415	490	570	650	725	885

The required clearance height: $H_F = H + 40\text{mm}$ (with 2.0kg/m fill weight)

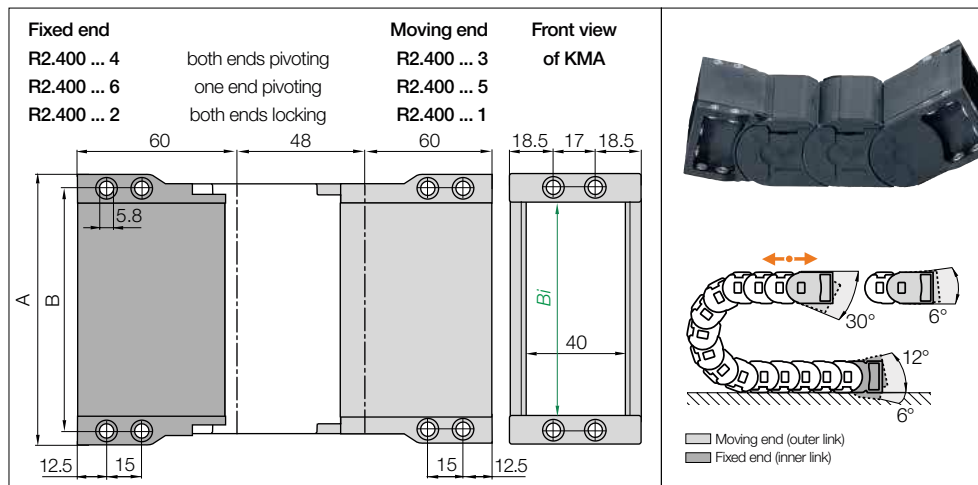


i If a gliding application is required for a long travel, please consult igus®.

Aluminium support tray

- Corrosion-resistant and seawater-resistant aluminium rails with adjustable width
 - Noise-reducing glide strip integrated as standard
 - Easy installation and connection of the e-tube
 - Open design - dirt and debris fall through
- More information ► From page 1362





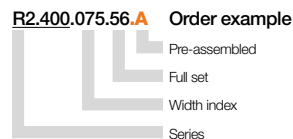
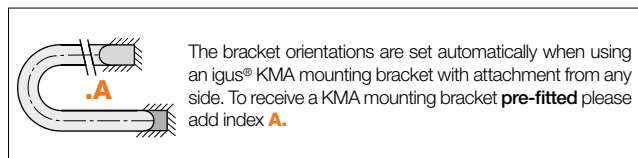
KMA pivoting | Recommended for unsupported applications

KMA locking | Recommended for vertical hanging and standing applications

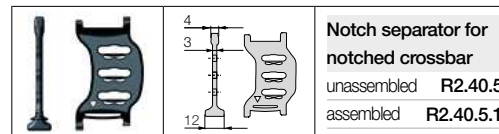
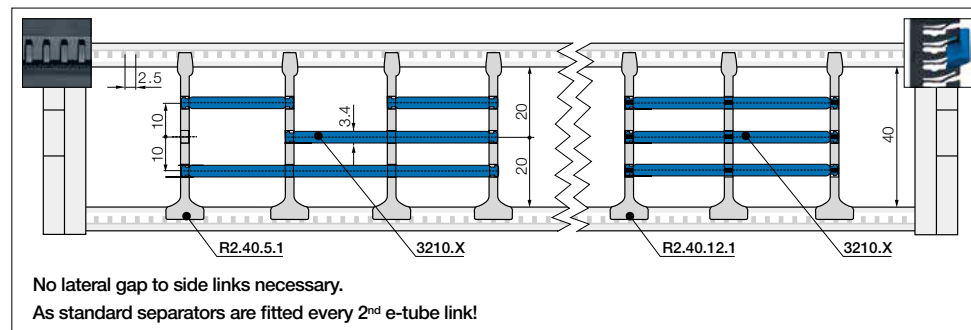
Width index	Part No. full set KMA	Part No. full set KMA	Part No. full set KMA	A [mm]	B [mm]	Bi [mm]
	both ends pivoting	one end pivoting	both ends locking			
50.	R2.400.050.34	R2.400.050.56	R2.400.050.12	74	62	50
75.	R2.400.075.34	R2.400.075.56	R2.400.075.12	99	87	75
100.	R2.400.100.34	R2.400.100.56	R2.400.100.12	124	112	100
125.	R2.400.125.34*	R2.400.125.56*	R2.400.125.12*	149	137	125
150.	R2.400.150.34	R2.400.150.56	R2.400.150.12	174	162	150
175.	R2.400.175.34	R2.400.175.56	R2.400.175.12	199	187	175
200.	R2.400.200.34*	R2.400.200.56*	R2.400.200.12*	224	212	200

*Width available upon request. Please consult igus® for delivery time.

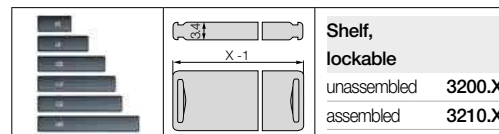
(KMA = polymer metal mounting bracket)



Strain relief e.g. clamps, tiewrap plates, nuggets and clips are available from stock. The complete chainfix range with ordering options ▶ From page 1392



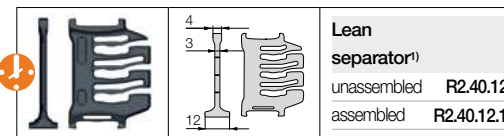
Locks securely in preset increments
Notch separator for exact positioning. Recommended for side-mounted applications.



Horizontal separation
Full-width shelf locks securely into separators at both ends, giving a fixed width. Can be used as full-width or partial shelf.

Shelves Width = X [mm]	X [mm] unassembled		X [mm] assembled		X [mm] unassembled		X [mm] assembled	
	unassembled	assembled	unassembled	assembled	unassembled	assembled	unassembled	assembled
050	3200.050	3210.050	115	3200.115	3210.115	175	3200.175	3210.175
075	3200.075	3210.075	125	3200.125	3210.125	200	3200.200	3210.200
100	3200.100	3210.100	150	3200.150	3210.150			

Interior separation | To allow faster filling



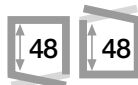
Lean separators¹⁾
For quick fitting of shelves in several layers.
1) Note: Please combine maximum 4 lean separators with one shelf. Not suitable for side-mounted e-chains²⁾

With the lean separator you can quickly insert several layers of cables into the e-chain® and reduce the installation time by up to 50%²⁾.

²⁾ Lean interior separation vs. Standard separator - measured on a 4m long e-chain® fitted with 12 cables in the igus® readychain® factory



Protection against dust and dirt ingress and quickly openable



e-tubes | Series R2i.48 | Lids openable along the inner radius, from both sides
 e-tubes | Series R2.48 | Lids openable along the outer radius, from both sides

Part No. e-tubes openable along the inner radius	Part No. e-tubes openable along the outer radius	Bi [mm]	Ba [mm]	R Available bend radii										R2i.48 [kg/m]	R2.48 [kg/m]
				100	125	150	175	200	225	250	300				
R2i.48.050.R.0*	R2.48.050.R.0*	50	70	100	125	150	175	200	225	250	300	≈ 1.92	≈ 1.92		
R2i.48.075.R.0*	R2.48.075.R.0*	75	95	100	125	150	175	200	225	250	300	≈ 2.23	≈ 2.23		
R2i.48.100.R.0*	R2.48.100.R.0*	100	120	100	125	150	175	200	225	250	300	≈ 2.55	≈ 2.55		
R2i.48.115.R.0	R2.48.115.R.0*	115	135	100	125	150	175	200	225	250	300	≈ 2.74	≈ 2.74		
R2i.48.125.R.0	R2.48.125.R.0*	125	145	100	125	150	175	200	225	250	300	≈ 2.86	≈ 2.86		
R2i.48.150.R.0*	R2.48.150.R.0*	150	170	100	125	150	175	200	225	250	300	≈ 3.18	≈ 3.18		
R2i.48.175.R.0*	R2.48.175.R.0*	175	195	100	125	150	175	200	225	250	300	≈ 3.49	≈ 3.49		
R2i.48.200.R.0	R2.48.200.R.0*	200	220	100	125	150	175	200	225	250	300	≈ 3.81	≈ 3.81		
R2i.48.225.R.0*	R2.48.225.R.0*	225	245	100	125	150	175	200	225	250	300	≈ 4.05	≈ 4.05		
R2i.48.250.R.0	R2.48.250.R.0*	250	270	100	125	150	175	200	225	250	300	≈ 4.44	≈ 4.44		

*Width available upon request. Please consult igus® for delivery time.

Complete Part No. with required radius (R). Example: R2i.48.115.100.0

Hot swarf up to +850°C for e-tubes

- e-tubes can repel swarf up to +850°C. Special production option with the igus® material igumid HT
 - No hot swarf melting or embedding into the chain
- More information ► www.igus.eu/HT



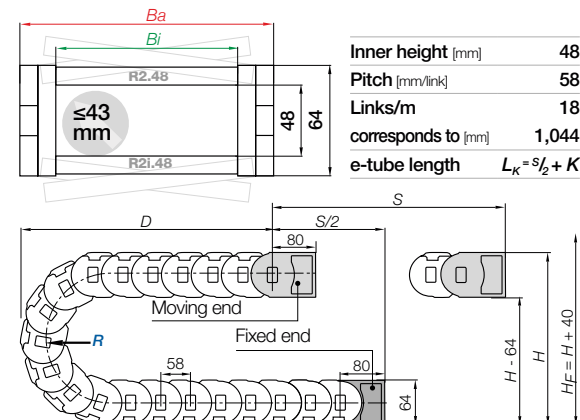
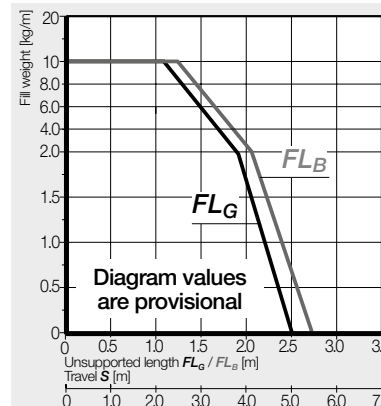
CFU strain relief with innovative honeycomb design

- Fast filling, openable from both sides for assembly in seconds
- Flexible honeycomb design for increased holding force
- Tribologically optimised honeycomb design for the best hold
- Universal use, compact, space-saving design

More information ► Page 1422



Unsupported applications | Short travels



R	100	125	150	175	200	225	250	300
H	264	314	364	414	464	514	564	664
D	219	244	269	294	319	344	369	419
K	435	510	590	670	745	825	905	1060

The required clearance height: $H_F = H + 40\text{mm}$ (with 2.0kg/m fill weight)

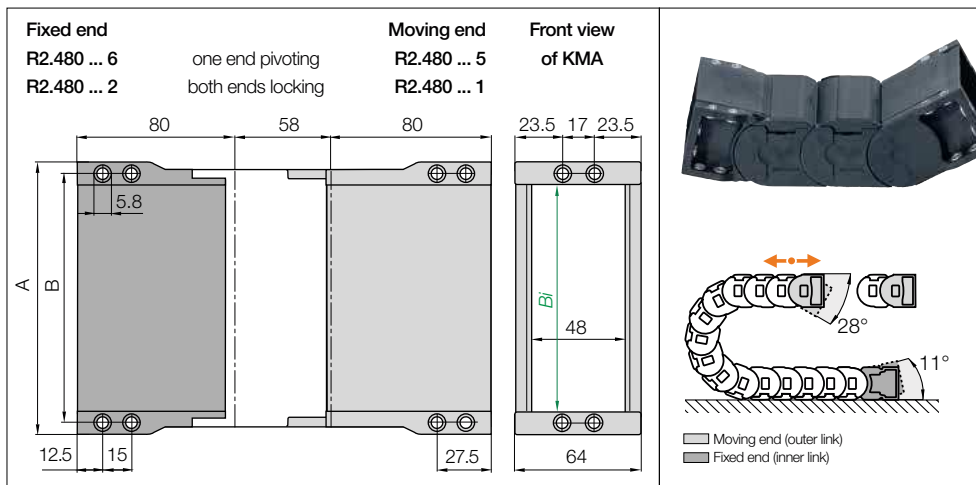


i If a gliding application is required for a long travel, please consult igus®.

Aluminium support tray

- Corrosion-resistant and seawater-resistant aluminium rails with adjustable width
 - Noise-reducing glide strip integrated as standard
 - Easy installation and connection of the e-tube
 - Open design - dirt and debris fall through
- More information ► From page 1362





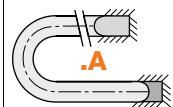
KMA pivoting | Recommended for unsupported applications

KMA locking | Recommended for vertical hanging and standing applications

Width index	Part No. full set KMA	Part No. full set KMA	A [mm]	B [mm]	Bi [mm]
	one end pivoting	both ends locking			
050.	R2.480.050.56*	R2.480.050.12*	74	62	50
075.	R2.480.075.56*	R2.480.075.12*	99	87	75
100.	R2.480.100.56*	R2.480.100.12*	124	112	100
115.	R2.480.115.56	R2.480.115.12*	139	127	115
125.	R2.480.125.56	R2.480.125.12*	149	137	125
150.	R2.480.150.56*	R2.480.150.12*	174	162	150
175.	R2.480.175.56*	R2.480.175.12*	199	187	175
200.	R2.480.200.56	R2.480.200.12*	224	212	200
225.	R2.480.225.56*	R2.480.225.12*	249	237	225
250.	R2.480.250.56	R2.480.250.12*	274	262	250

*Width available upon request. Please consult igus® for delivery time.

(KMA = polymer metal mounting bracket)

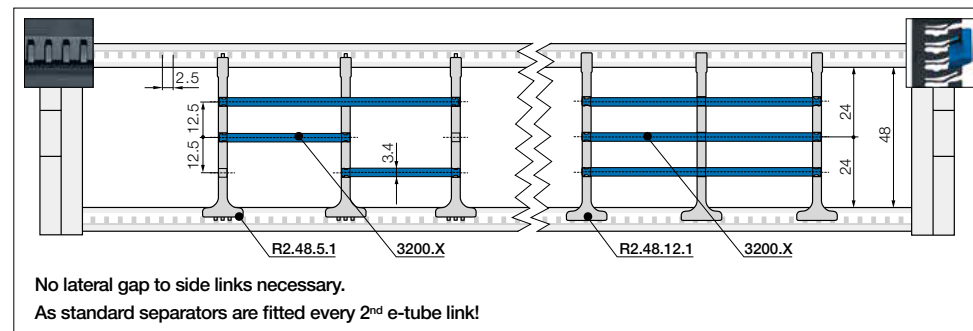


The bracket orientations are set automatically when using an igus® KMA mounting bracket with attachment from any side. To receive a KMA mounting bracket **pre-fitted** please add index **A**.

R2.480.115.56.A Order example

- Pre-assembled
- Full set
- Width index
- Series

Strain relief e.g. clamps, tiewrap plates, nuggets and clips are available from stock. The complete chainfix range with ordering options ▶ From page 1392



Notch separator for notched crossbar
unassembled R2.48.5
assembled R2.48.5.1

Locks securely in preset increments
Notch separator for exact positioning. Recommended for side-mounted applications.

Shelf, lockable
unassembled 3200.X
assembled 3210.X

Horizontal separation
Full-width shelf locks securely into separators at both ends, giving a fixed width. Can be used as full-width or partial shelf.

Shelves
Width = X [mm]

X [mm]	unassembled	assembled	X [mm]	unassembled	assembled	X [mm]	unassembled	assembled
050	3200.050	3210.050	125	3200.125	3210.125	225	3200.225	3210.225
075	3200.075	3210.075	150	3200.150	3210.150	250	3200.250	3210.250
100	3200.100	3210.100	175	3200.175	3210.175			
115	3200.115	3210.115	200	3200.200	3210.200			

Interior separation | To allow faster filling

Lean separator¹⁾
unassembled R2.48.12
assembled R2.48.12.1

Lean separators¹⁾
For quick fitting of shelves in several layers.
1) Note: Please combine maximum 4 lean separators with one shelf. Not suitable for side-mounted e-chains²⁾

With the lean separator you can quickly insert several layers of cables into the e-chain® and reduce the installation time by up to 50%²⁾.

²⁾ Lean interior separation vs. Standard separator - measured on a 4m long e-chain® fitted with 12 cables in the igus® readychain® factory



R2.1 e-tubes | Series R2.75 | Product range

Protection against dust and dirt ingress and quickly openable



e-tubes | Series R2.75 | Lids openable along the outer radius, from both sides

Part No. e-tubes openable along the outer radius	Bi [mm]	Ba [mm]	R Available bend radii [mm]	R2.75 [kg/m]
R2.75.111.R.0	111	135	130 150 200 250 300* 350* 400*	≈ 3.175
R2.75.163.R.0	163	187	130 150 200 250 300* 350* 400*	≈ 3.672
R2.75.200.R.0	200	224	130 150 200 250 300* 350* 400*	≈ 4.012

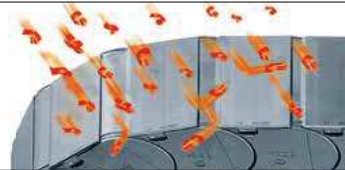
*Radius available upon request. Please consult igus® for delivery time.

Complete Part No. with required radius (R). Example: R2.75.111.130.0

Hot swarf up to +850°C for e-tubes

- e-tubes can repel swarf up to +850°C. Special production option with the igus® material igamid HT
- No hot swarf melting or embedding into the chain

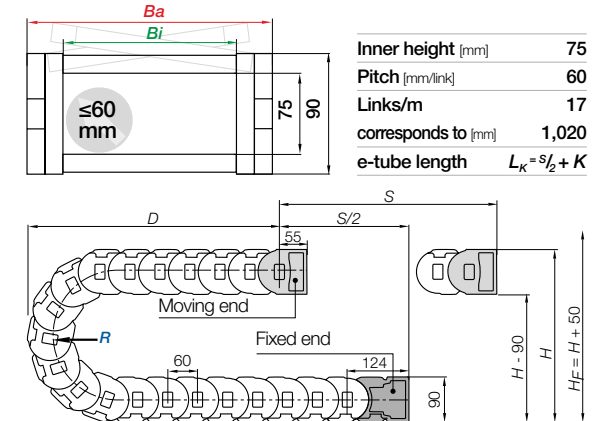
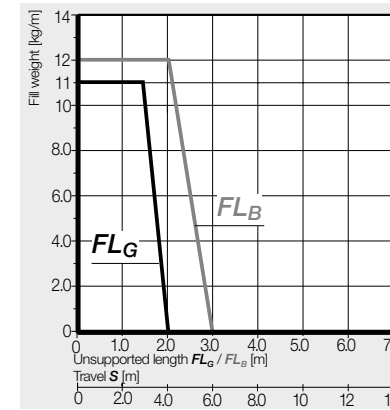
More information ► www.igus.eu/HT



R2.1 e-tubes | Series R2.75 | Installation dimensions



Unsupported applications | Short travels



R	130	150	200	250	300*	350*	400*
H	350	390	490	590	690	790	890
D	265	285	335	385	435	485	535
K	530	595	750	910	1,065	1,220	1,380

The required clearance height: $H_F = H + 50\text{mm}$ (with 3.0kg/m fill weight)

*Radius available upon request. Please consult igus® for delivery time.

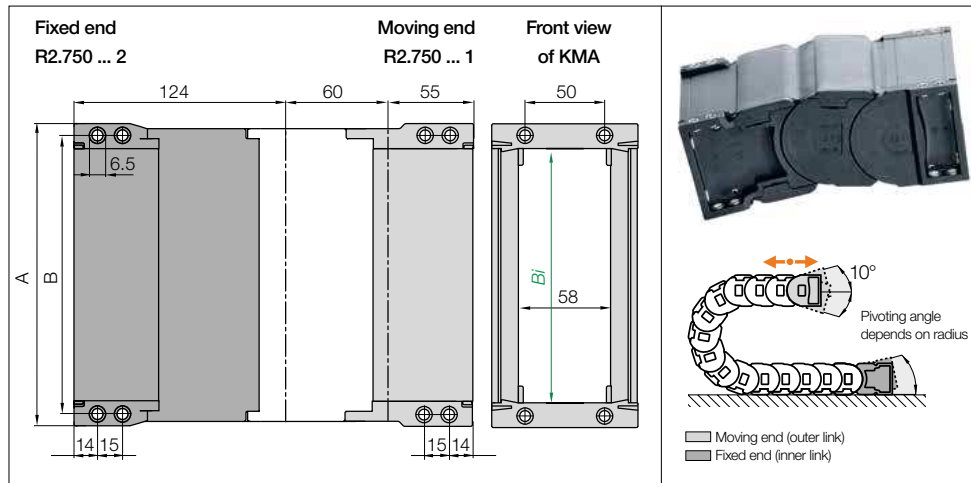


i If a gliding application is required for a long travel, please consult igus®.

Aluminium support tray

- Corrosion-resistant and seawater-resistant aluminium rails with adjustable width
 - Noise-reducing glide strip integrated as standard
 - Easy installation and connection of the e-tube
 - Open design - dirt and debris fall through
- More information ► From page 1362

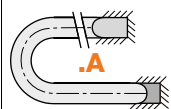




KMA pivoting | Recommended for unsupported applications

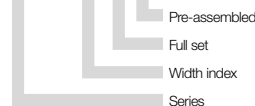
Width index	Standard	Part no. full set KMA pivoting	Part No. full set KMA locking	A [mm]	B [mm]	Bi [mm]
111	▶	R2.750.111.12	-	141	127	111
163	▶	R2.750.163.12	-	193	179	163
200	▶	R2.750.200.12	-	230	216	200

(KMA = polymer metal mounting bracket)

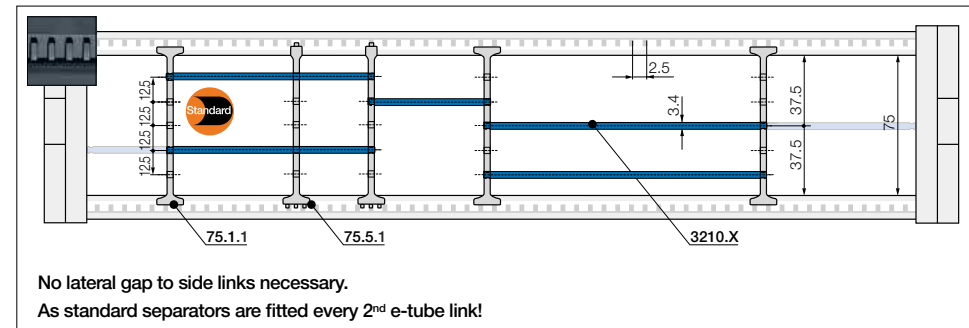


The bracket orientations are set automatically when using an igus® KMA mounting bracket with attachment from any side. To receive a KMA mounting bracket **pre-fitted** please add index **A**.

R2.750.111.12.A Order example



Strain relief e.g. clamps, tie-wrap plates, nuggets and clips are available from stock. The complete chainfix range with ordering options ▶ From page 1392



Standard separator, wide base	
unassembled	75.1
assembled	75.1.1

Standard - for any application
Separator with a wide base for maximum holding force.

Notch separator for notched crossbar	
unassembled	75.5
assembled	75.5.1

Locks securely in preset increments
Notch separator for exact positioning. Recommended for side-mounted applications.

Shelf, lockable	
unassembled	3200.X
assembled	3210.X

Horizontal separation
Full-width shelf locks securely into separators at both ends, giving a fixed width. Can be used as full-width or partial shelf.

Shelves
Width = X (mm)

X [mm]	unassembled	assembled	X [mm]	unassembled	assembled	X [mm]	unassembled	assembled
050	3200.050	3210.050	115	3200.115	3210.115	175	3200.175	3210.175
075	3200.075	3210.075	125	3200.125	3210.125	200	3200.200	3210.200
100	3200.100	3210.100	150	3200.150	3210.150			