



High impact tank cleaning machine

»IntenseClean«

Series 5TM

Series 5TM

The IntenseClean is used in many applications, amongst others in the petrochemical industry. It is noted for its robust and proven construction, effective solid jets and gear-controlled rotation.



	Max. tank diameter [m]	0	3	6	9	12	15	18	21	24	27
--	-------------------------------	---	---	---	---	----	----	----	----	----	----



Materials
Stainless steel 1.4404 (316L), 1.4301 (304), 1.4310, 1.4571 (316Ti), 1.4401 (316), AISI 302, PTFE, PEEK, PTFE ELS (only ATEX-version)



Max. temperature
95 °C



Recommended operating pressure
5 bar



Installation
Operation in every direction is possible



Filtration
Line strainer with a mesh size of 0.2 mm/80 mesh



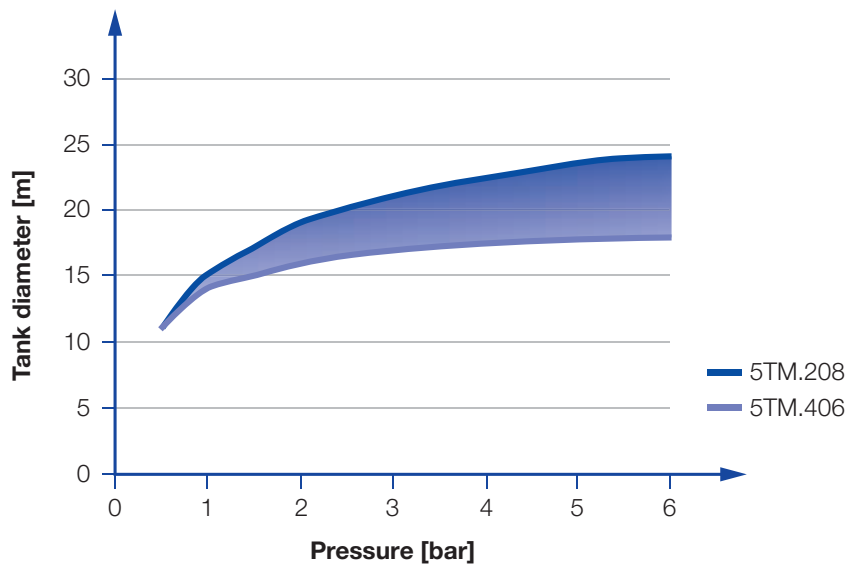
Bearing
Ball bearing



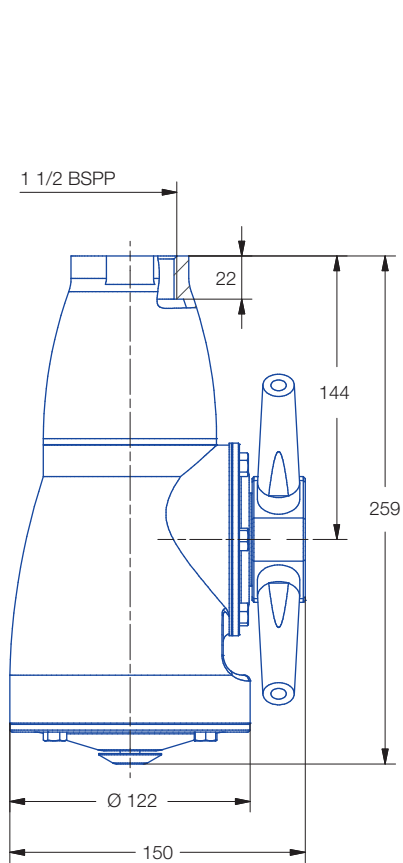
Weight
7.5 kg



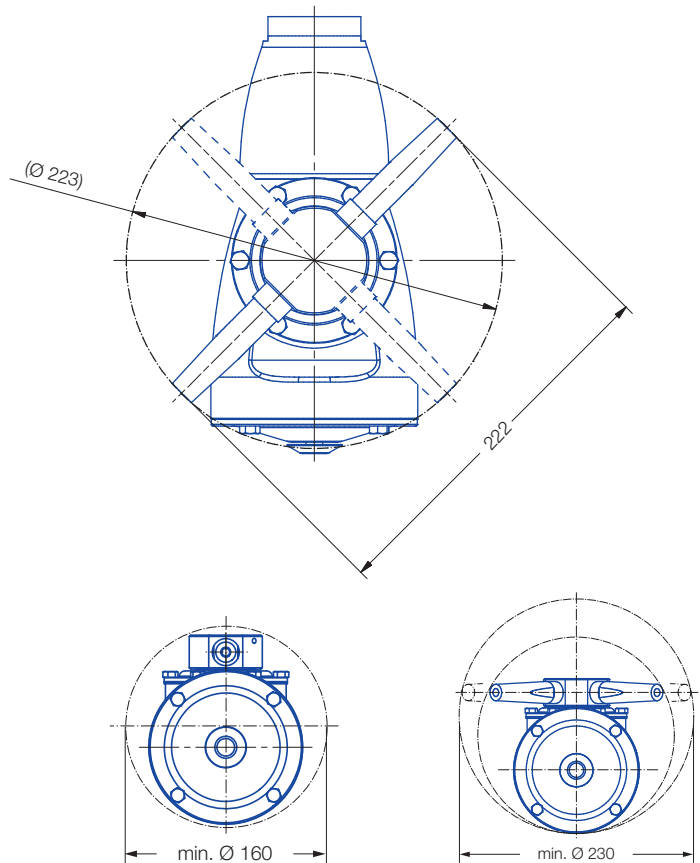
Rotation monitoring sensor
Sensor compatible,
Info: see page 76



Overview of the tank diameter, depending upon the pressure of series 5TM



Female thread



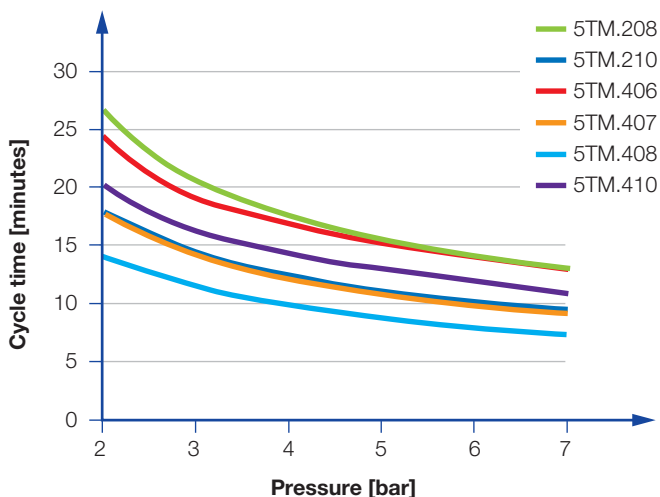
5TM.2XX.1Y.AS (2 nozzles)

5TM.4XX.1Y.AS (4 nozzles)

Spray angle	Ordering no.	E Ø [mm]	Number, Ø Nozzles [mm]	V [l/min]				Max. tank diameter [m]
				p [bar] (p _{max} = 7 bar)				
				2	3	5	at 40 psi [US gal/min]	
360°	5TM.208.1Y.AS	8	2 x 8.0	125	153	198	39	24.0
	5TM.210.1Y.AS	10	2 x 10.0	160	196	253	50	24.0
	5TM.406.1Y.AS	6	4 x 6.0	140	171	221	43	18.0
	5TM.407.1Y.AS	7	4 x 7.0	170	208	269	53	20.0
	5TM.408.1Y.AS	8	4 x 8.0	200	245	316	62	22.0
	5TM.410.1Y.AS	10	4 x 10.0	260	318	411	81	23.0

E = narrowest free cross-section

The maximum tank diameter shown above applies for the recommended operating pressure and is indicative only. The cleaning result is also affected by the type of soiling.



Cycle time depending on pressure of series 5TM

Example of ordering with FDA and (EG) 1935/2004 conformity.



All Materials are suitable for contact with food.



Example of Type + Mat.-Nr. + Anschluss = Bestell-Nr.
Ordering: 5TM.208 + 1Y + AS = 5TM.208.1Y.AS

Example of ordering with ATEX approval, FDA and (EG) 1935/2004 conformity.



Unit group / category / zones:

- ⊗ II 1G Ex h IIB T6...T3 Ga
- ⊗ II 1D Ex h IIIC T85 °C...T150 °C Da



Example of Type + Mat.-Nr. + Anschluss = Bestell-Nr.
Ordering: 5TM.208 + 1Y + AS = 5TM.208.1Y.AS.EX