



► Page 379

... 2450 ... 2480

**Half e-tubes** | Series 2450 | Crossbars openable along inner radius from both sides, closed along outer radius  
**Full e-tubes** | Series 2480 | Lids openable along inner radius from both sides, fully enclosed

Part No. half e-tubes openable along the inner radius	Part No. full e-tubes openable along the inner radius	Bi [mm]	Ba [mm]	R Available bend radii [mm]	2450 [kg/m]	2480 [kg/m]
2450.02.R.0	2480.02.R.0	25	41	055*   075   100   125   150   175   200   225   250	≈ 0.80	≈ 0.82
2450.03.R.0	2480.03.R.0	38	54	055*   075   100   125   150   175   200   225   250	≈ 0.88	≈ 0.92
2450.05.R.0 <sup>Ⓢ</sup>	2480.05.R.0 <sup>Ⓢ</sup>	57	73	055*   075   100   125   150   175   200   225   250	≈ 0.99	≈ 1.03
2450.07.R.0	2480.07.R.0	77	93	055*   075   100   125   150   175   200   225   250	≈ 1.12	≈ 1.17
2450.09.R.0	2480.09.R.0	89	105	055*   075   100   125   150   175   200   225   250	≈ 1.20	≈ 1.26
2450.10.R.0	2480.10.R.0	103	119	055*   075   100   125   150   175   200   225   250	≈ 1.27	≈ 1.34
2450.12.R.0	2480.12.R.0	125	141	055*   075   100   125   150   175   200   225   250	≈ 1.35	≈ 1.43

Ⓢ RBR version (Reverse Bend Radius), some radii available from stock. More information ► From page 130

\*Radius available upon request. Please consult igus® for delivery time.

For the 055 radius the e-tube is not completely enclosed. Please consult igus®.

Complete Part No. with required radius (R). Example: 2450.03.100.0

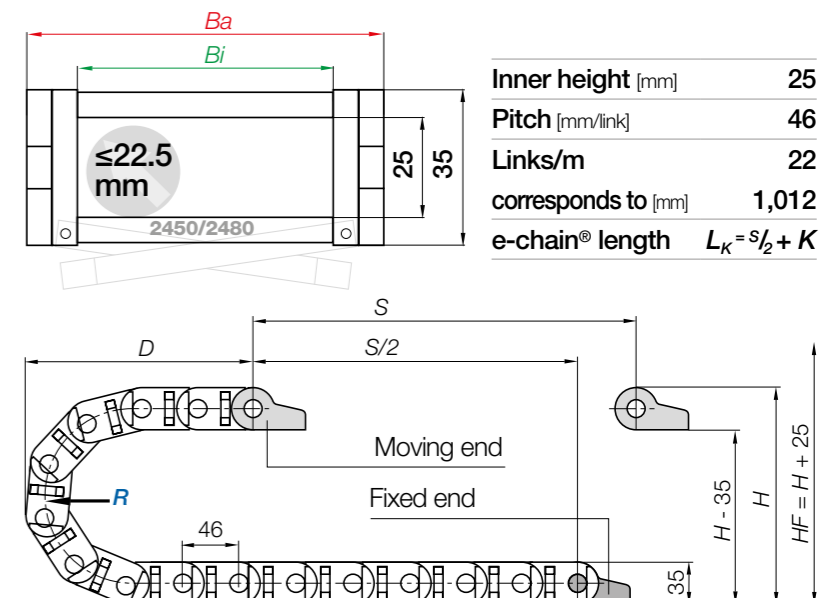
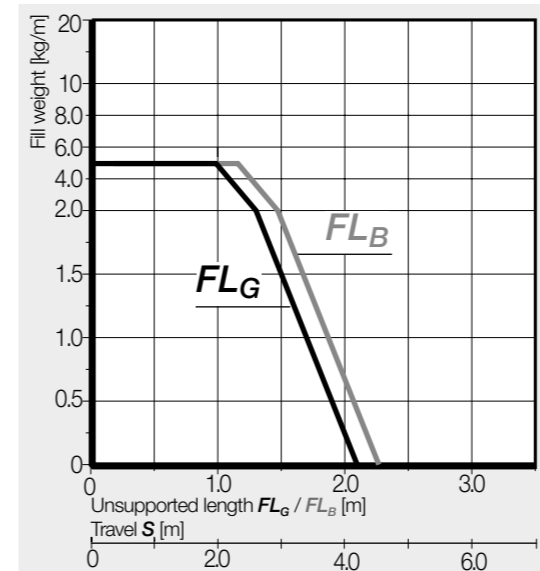
**Rotating energy supply systems with Reverse Bend Radius (RBR) - some radii available from stock**

- Maximum rotation angle in minimal installation space
- Minimal friction forces and maximum service life
- Short delivery times, from stock

More information and the complete product range ► From page 130



► 1392

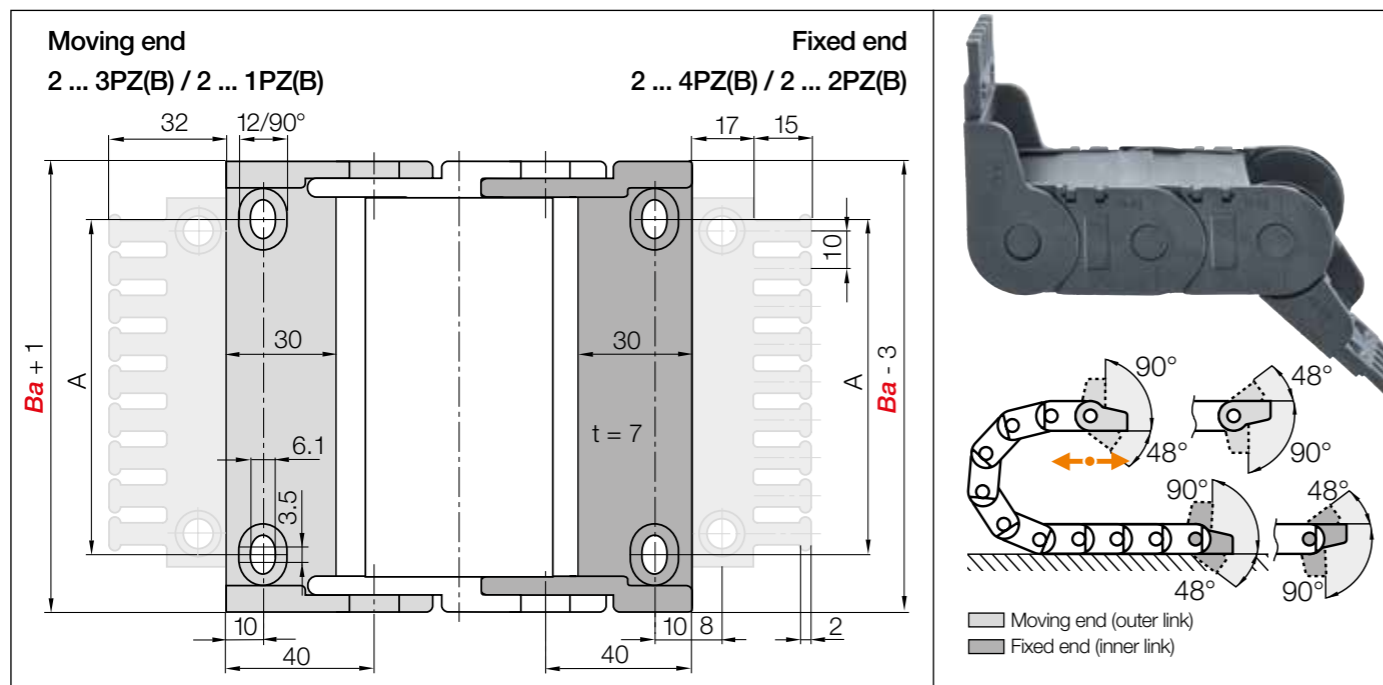


R	055*	075	100	125	150	175	200	225	250
H	145	185	235	285	335	385	435	485	535
D	142	162	187	212	237	262	287	312	337
K	265	330	410	485	565	645	725	800	880

The required clearance height:  $H_F = H + 25\text{mm}$  (with 1.5kg/m fill weight)

\*Radius available upon request. Please consult igus® for delivery time. Before using series 2450/2480 on long travels please consult igus®.

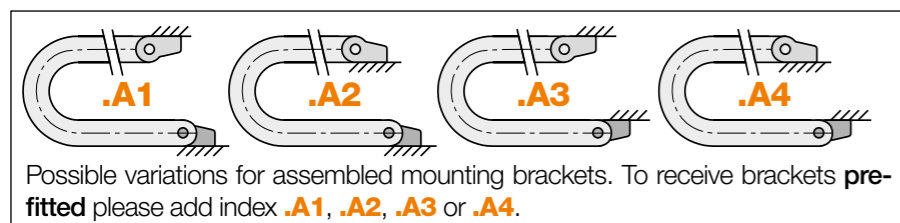
**i** If a gliding application is required for a long travel, please consult igus®.



**Polymer pivoting** | Recommended for unsupported applications  
**Polymer locking** | Recommended for vertical hanging and standing applications

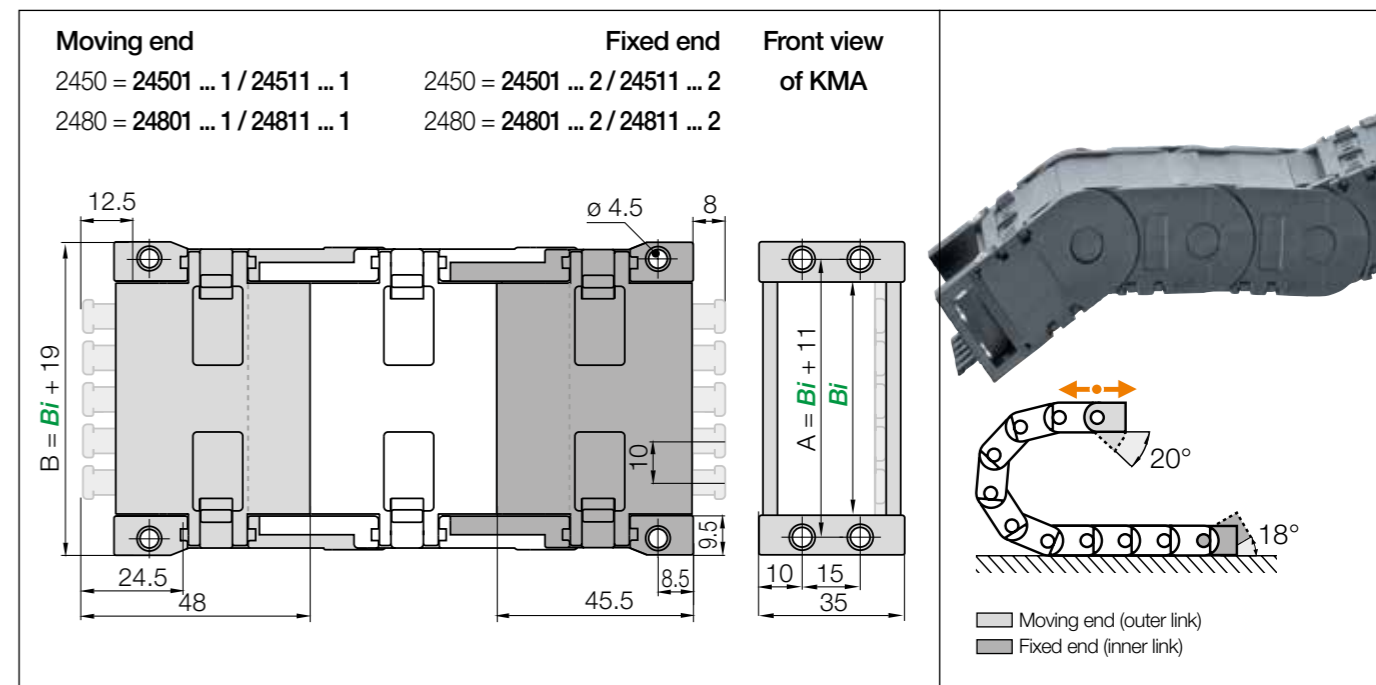
Width index	Part No. full set pivoting		Part No. full set locking		A [mm]	Number of teeth
	with tiewrap plates	without tiewrap plate	with tiewrap plates	without tiewrap plate		
02.	2020.34PZB	2020.34PZ	2020.12PZB	2020.12PZ	12	3
03.	2030.34PZB	2030.34PZ	2030.12PZB	2030.12PZ	25	4
05.	2050.34PZB	2050.34PZ	2050.12PZB	2050.12PZ	44	6
07.	2070.34PZB	2070.34PZ	2070.12PZB	2070.12PZ	64	8
09.	2090.34PZB	2090.34PZ	2090.12PZB	2090.12PZ	77	9
10.	2100.34PZB	2100.34PZ	2100.12PZB	2100.12PZ	90	10
12.	2125.34PZB	2125.34PZ	2125.12PZB	2125.12PZ	112	12

Full set with tiewrap plate + 10 cable tiewraps, please add index **K1**. Example: 2020.34PZBK1



**2020.34PZB.A1** Order example  
 .A... to indicate option with brackets pre-fitted  
 With integrated strain relief tiewrap plates  
 Full set  
 Series

**Strain relief** e.g. clamps, tiewrap plates, nuggets and clips are available from stock. The complete chainfix range with ordering options ▶ From page 1392



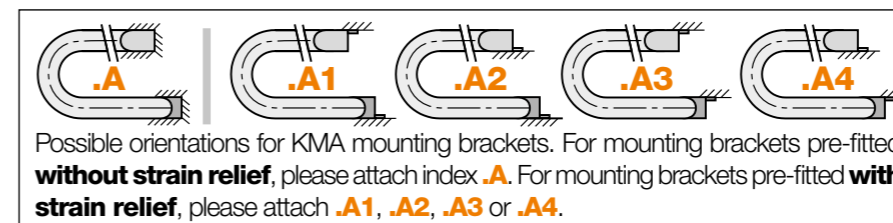
**KMA pivoting** | Recommended for unsupported applications  
**KMA locking** | Recommended for vertical hanging and standing applications

Width index	Part No. full set KMA pivoting <sup>1)</sup>		Part No. full set KMA locking <sup>2)</sup>		A [mm]	B [mm]	Number of teeth
	with tiewrap plates	without tiewrap plate	with tiewrap plates	without tiewrap plate			
02.	24501   24801 .02.12ZB	24501   24801 .02.12	24511   24811 .02.12ZB	24511   24811 .02.12	36	44	2
03.	24501   24801 .03.12ZB	24501   24801 .03.12	24511   24811 .03.12ZB	24511   24811 .03.12	49	57	4
05.	24501   24801 .05.12ZB	24501   24801 .05.12	24511   24811 .05.12ZB	24511   24811 .05.12	68	76	6
07.	24501   24801 .07.12ZB	24501   24801 .07.12	24511   24811 .07.12ZB	24511   24811 .07.12	88	86	7
09.	24501   24801 .09.12ZB	24501   24801 .09.12	24511   24811 .09.12ZB	24511   24811 .09.12	100	108	9
10.	24501   24801 .10.12ZB	24501   24801 .10.12	24511   24811 .10.12ZB	24511   24811 .10.12	114	122	10
12.	24501   24801 .12.12ZB	24501   24801 .12.12	24511   24811 .12.12ZB	24511   24811 .12.12	136	144	12

1) KMA pivoting Part No. 24501 for half e-tube series 2450 / KMA pivoting Part No. 24801 for full e-tube series 2480

2) KMA locking Part No. 24511 for half e-tube series 2450 / KMA locking Part No. 24811 for full e-tube series 2480

(KMA = polymer metal mounting bracket)



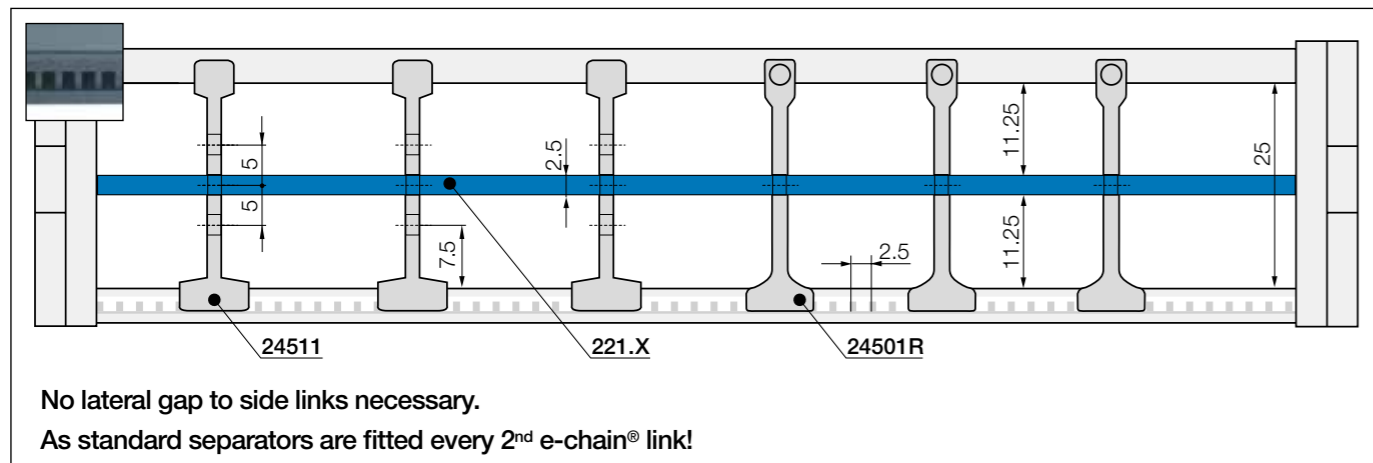
**24501.02.12ZB.A2** Order example  
 .A... to indicate option with brackets pre-fitted  
 With integrated strain relief tiewrap plates  
 Full set  
 Width index  
 Series



Option: steel mounting bracket, pivoting. For e-chains® and e-tubes, Part No. 2000.32  
 ● Pivoting connections ● One part (2-piece) for all e-chain® widths ● Electrically conductive

**Strain relief** e.g. clamps, tiewrap plates, nuggets and clips are available from stock. The complete chainfix range with ordering options ▶ From page 1392

Interior separation



**Slotted separator**  
unassembled **24501**  
assembled **24511**

**Slotted separator**  
Vertical separation. The slot allows basic vertical/horizontal shelving arrangements.

**Notch separator for notched crossbar**  
unassembled **24501R**  
assembled **24501R.1**

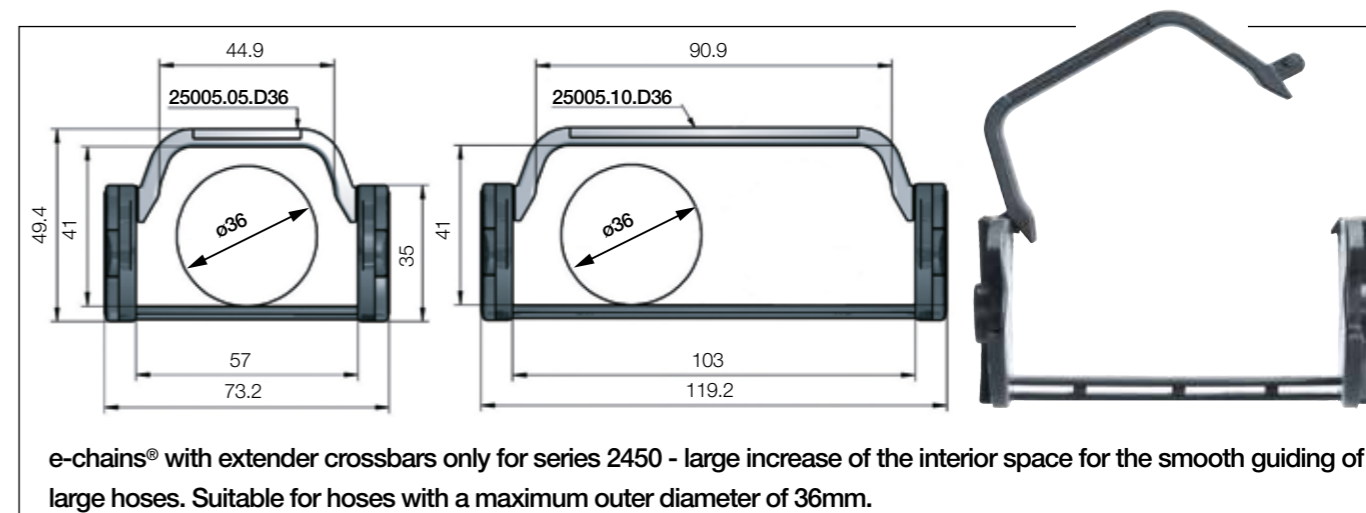
**Locks securely in preset increments**  
Notch separator for exact positioning. Recommended for side-mounted applications.  
Note: For this series notches only on fixed crossbars, not on openable crossbars/lids

**Full-width shelf for e-tubes**  
unassembled **220.X**  
assembled **221.X**

**Full-width shelf**  
This option is for applications with many small cables with similar diameters. For full-width separation.

Full-width shelves Width = X [mm]	X [mm]		X [mm]		X [mm]	
	unassembled	assembled	unassembled	assembled	unassembled	assembled
	025	220.25	221.25	077	220.77	221.77
	038	220.38	221.38	090	220.90	221.90
	057	220.57	221.57	103	220.103	221.103

e-chains® with extender crossbar | Product Range



Part No. half e-tubes Extender crossbars openable along the inner radius	Bi [mm]	Ba [mm]	R Available bend radii [mm]
2450.05 D36 .R.0	57	73	075   100   125   150   175   200   225   250
2450.10 D36 .R.0	103	119	075   100   125   150   175   200   225   250

Complete Part No. with required radius (R). Example: 2450.05D36.100.0

**Separator with integrated strain relief teeth**

- Can be integrated into the mounting bracket or placed at any point
  - Combines strain relief and interior separation, for restricted space conditions
  - Strain relief separator is easy to assemble without any screws
- Part No. 2020.ZR - more information ► From page 1424



**Aluminium support tray**

- Corrosion-resistant and seawater-resistant aluminium rails with adjustable width
  - Noise-reducing glide strip integrated as standard
  - Easy installation and connection of the e-chain®
  - Open design - dirt and debris fall through
- More information ► From page 1362

