



Lumistar Luminaire USL08LED-Ex, UL-listed

 +  T6

- **For mounting on sightglass fittings**
Designed for Sightglass light fitting in Ex-version with integrated terminal compartment for the combination of sightglass and light glass (single port version) as well as for their separate arrangement (dual port version) with three connection possibilities
- **Compact design, high light output:**
 - Glare-free illumination; suitable for round sightglasses to DIN 28120/DIN 28121 or similar from DN 50 and larger
 - Screwed sightglasses analogue DIN 11851 from DN 100 and larger
 - Flow indicators from DN 50 and larger
- **High intensity light emission through optimally designed glass lens**
- **Application:**
For illumination of the interior of boilers, tanks, bunkers, silos, agitators and other usually closed containers and reactors as well as flow sight glasses in hazardous areas with UL requirements.
- **Suitable for food processing, chemical and pharmaceutical industry**
- **Protection Level:**
Dust and waterjet tight, IP65 acc. to EN60529/DIN VDE 0470, Part 1
- **Ignition protection level, Explosion Group:**
 - UL 844 listed for Class I Div. 1 and 2, Group C and D
 - UL 1571 for wet conditions
- **Operating conditions:**
 - Independent of the vessel internal pressure/vacuum.
 - Under no circumstances may the light fitting replace the cover flange or the complete sightglass assembly or be used directly to cover a container opening.
 - Caution: Do not look into light – danger of impaired eyesight.
- **These Lumistar luminaires are approved for use in ambient temperatures up to 50°C.**
- **Test certificate:**  +  listed Cat No. USL08LED-Ex: 9N77
- **Electrical data and equipment:**
According to UL regulations per table on last page
- **Type of voltage:** AC Voltage (AC)
- **Operating voltage:**

120 - 240 V	LED module COB LED, 20 W
120 - 240 V	LED module 7 LED, 20 W



Lumistar luminaire USL08LED-Ex with mounting parts



Application as combined sight and light glass on a sight-glass fitting according to DIN 28120

Lumiglas

• Beam angle:

- Simple lens replacement
- 15°, 25° and 35° lenses available (COB LED version)
- Available beam angles 7 LED version: 11° and 26°

• Easy installation with special mounting bracket:

(to be specified separately)

The luminaire is mounted with the mounting parts on the cover flange of the circular sightglass or flow sightglass or on the slotted nut of screwed sightglass fittings

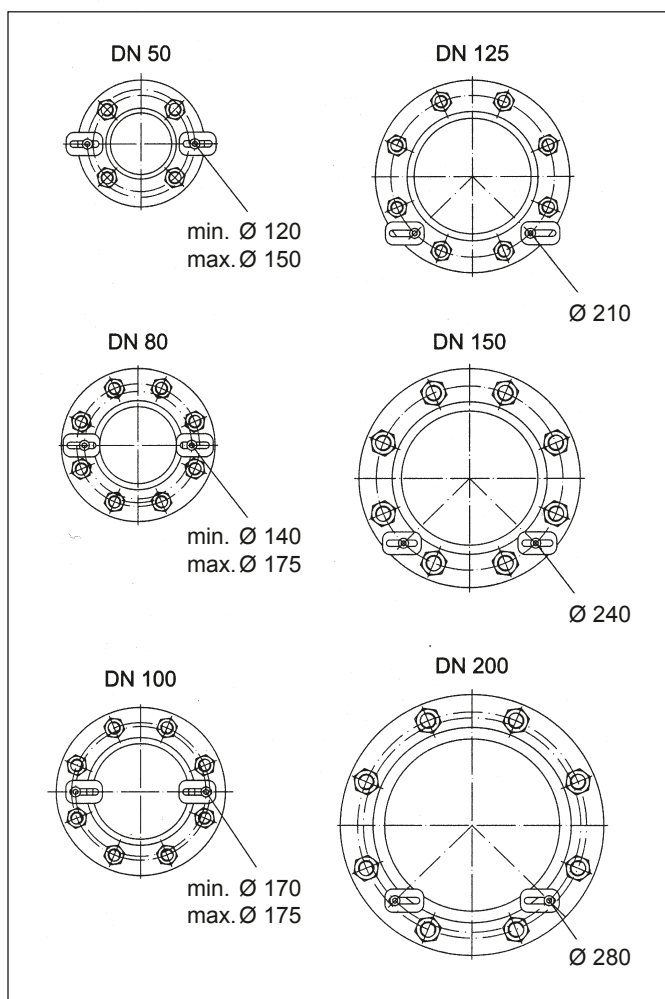
- a) Straight bracket for DN 50 to DN 100 (as light port)
- b) Angle bracket for DN 125 to DN 200 (for sight-light combination)

• Simple electrical connection via junction box

- The luminaire is wired internally and ready for operation. For cable entry from the outside, the terminal box has three openings with 1/2" NPT threads (right, left, top).
- The unused openings must be closed with two dummy plugs (included with luminaire).
- A cable gland is not part of the luminaire, as the connection is usually made with conduit.



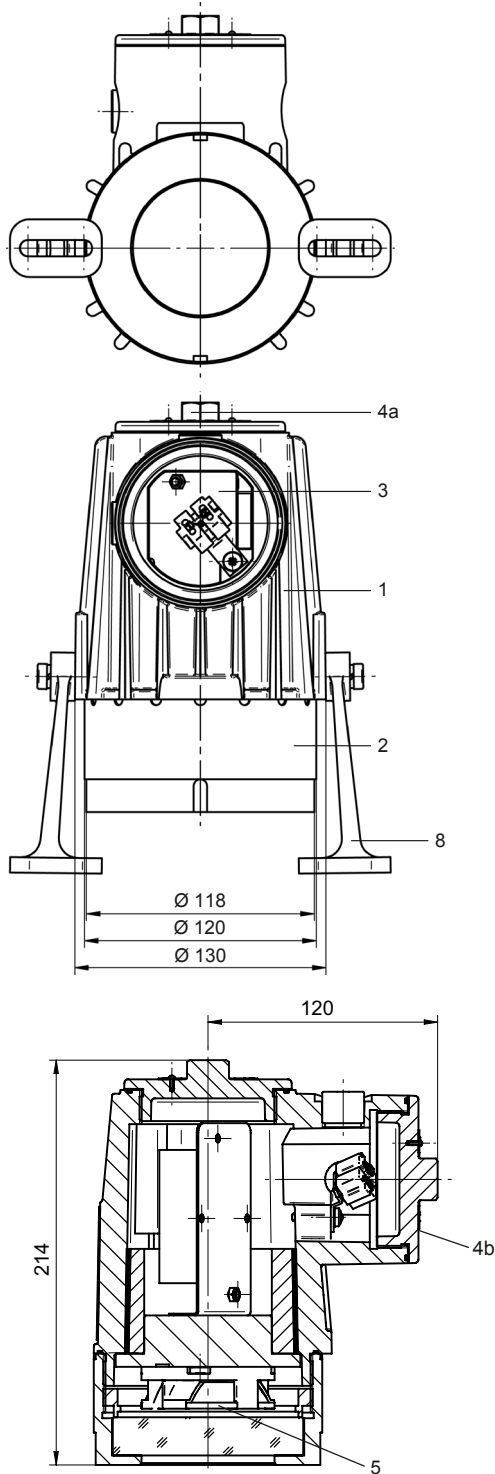
Lumistar luminaire USL08LED-Ex



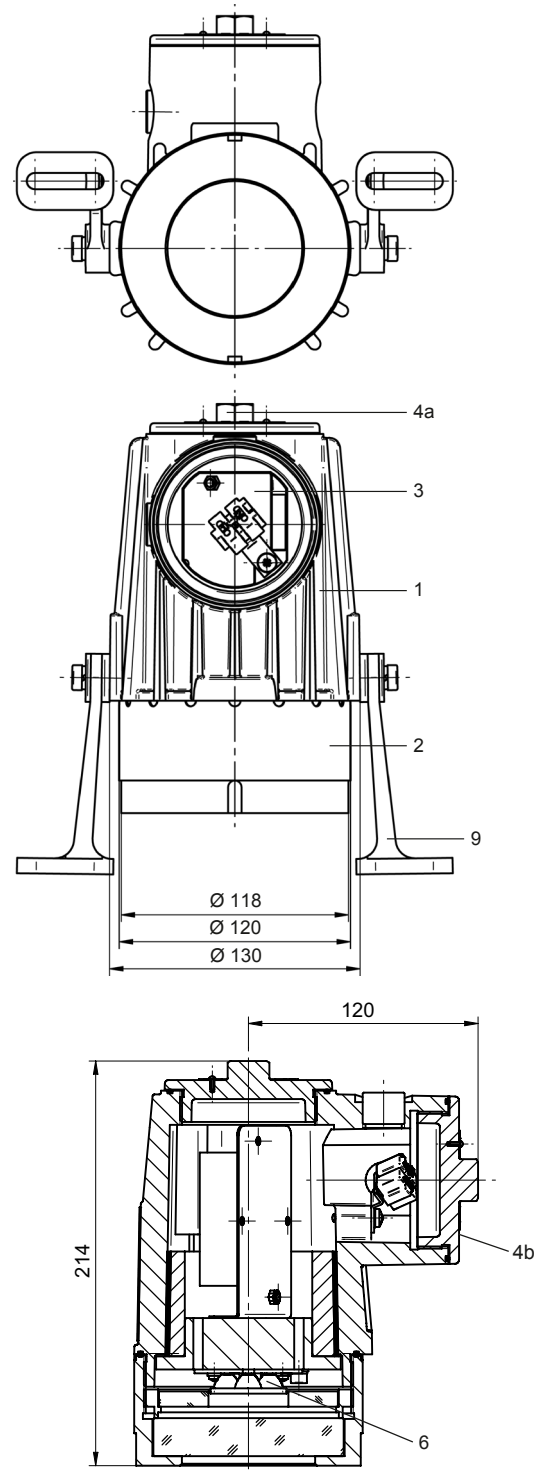
Hole pattern diameters for fastening screws

• Dimensions and components of Lumiglas luminaires USL08LED-Ex:

Luminaire mounting: straight version



Luminaire mounting: angle version



- 1 Luminaire body
- 2 Screwed lens ring
- 3 Terminal box with terminal block
- 4a Access cover for lamp exchange
- 4b Access cover for cable connection
- 5 Lens 15°, 25° or 35°

- 6 Lens 11° or 26°
- 7 3 x 1/2 in NPT threaded cable entry holes for alternative cable connection
- 8 Luminaire mounting: straight version
- 9 Luminaire mounting: angle version

• Parts, design, materials, weight:

- Luminaire body made of corrosion-resistant cast aluminium alloy, GK-AlSi10Mg
- Light aperture consists of aluminium ring, glass and O-ring seal
- Mounting parts: (see accessories) G-AlSi10Mg
- Weight: 4 kg/8.9 lbs

• Connection data and temperature data classification:

Pos.	Type USL08LED-Ex	Part no.	Beam angle	Luminous flux	Colour temp.	Voltage
1	120-240 V – 20 W	3542.501.00	15°	2200 lm	6200	120-240 V
2	120-240 V – 20 W	3542.502.00	25°	2200 lm	6200	120-240 V
3	120-240 V – 20 W	3542.503.00	35°	2000 lm	6200	120-240 V
4	120-240 V – 20 W	3542.504.00	11°	1600 lm	5700	120-240 V
5	120-240 V – 20 W	3542.505.00	26°	1500 lm	5700	120-240 V

• Accessories:

Item	Part no.
Luminaire mounting bracket, straight: for DN 50 to DN 100	0354.005.00
Luminaire mounting bracket, angled: for DN 125 to DN 200	0354.006.00
Special assembly spanner for screw-in lens	6805.002.00

• Order data: e.g.

- Lumistar luminaire USL08LED-Ex, 120-240 V, 15°, part no. 3542.501.00
- Luminaire mounting bracket, straight, part no. 0354.005.00
- Special assembly spanner for screw-in lens, part no. 6805.002.00