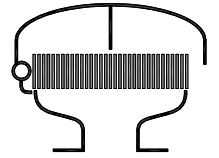




## Type sheet

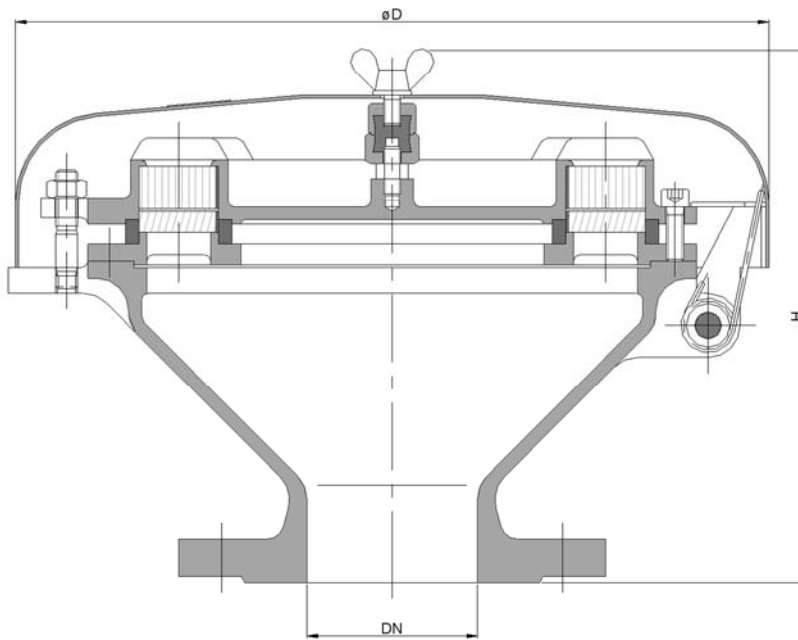
### Deflagration and endurance burning proof ventilation hood KITO® BEH-6-IIB3-...-K



#### Application

As an end-of-line flame arrester to protect vent openings of storage tanks. Explosion and endurance burning proof for all inflammable liquids and vapors of explosion group IIB3 with a maximum experimental safe gap (MESG)  $\geq 0.65$  mm and an maximum operating temperature of 60 °C. This device is not permitted to be installed in enclosed areas. Installation on top of storage tanks, tank access covers or breather pipelines. The flame arrester protects a tank against flashbacks but allows the flow of gases out into the atmosphere and air into the tank.

#### Dimensions (mm)



DIN	DN	ASME	D	H	kg
80 PN 16		-	353	250	
100 PN 16		-			

Weight refers to the standard design

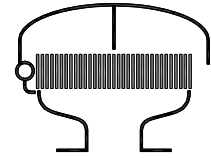
#### Example for order

**KITO® BEH-6-IIB3-80-K**  
(design with flange connection DN 80 PN 16)

**Type examination certificate to EN ISO 16852 and CE-marking in accordance to ATEX-Directive 2014/34/EU**

## Type sheet

Deflagration and endurance burning proof ventilation hood  
**KITO® BEH-6-IIB3-...-K**



### Design

	standard	optionally
housing	cast steel 1.0619	stainless cast steel 1.4408
KITO®-flame arrester element	completely interchangeable	
KITO®-casing / KITO®-grid	stainless steel mat. no. 1.4308 / 1.4310	stainless steel mat. no. 1.4408 / 1.4571
weather hood	steel, hood can fold automatically as a result of folding mechanism and fusing element	stainless steel mat. no. 1.4571, hood can fold automatically as a result of folding mechanism and fusing element
connection	flange EN 1092-1 type B1	

### performance curves

Flow capacity  $\dot{V}$  based on air of a density  $\rho = 1.29 \text{ kg/m}^3$  at  $T = 273 \text{ K}$  and atmospheric pressure  $p = 1.013 \text{ mbar}$ . For other gases the flow can be approximately calculated by

$$\dot{V} = \dot{V}_b \cdot \sqrt{\frac{\rho_b}{1.29}} \quad \text{or} \quad \dot{V}_b = \dot{V} \cdot \sqrt{\frac{1.29}{\rho_b}}$$

