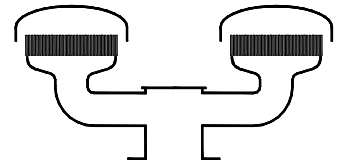


## Type sheet

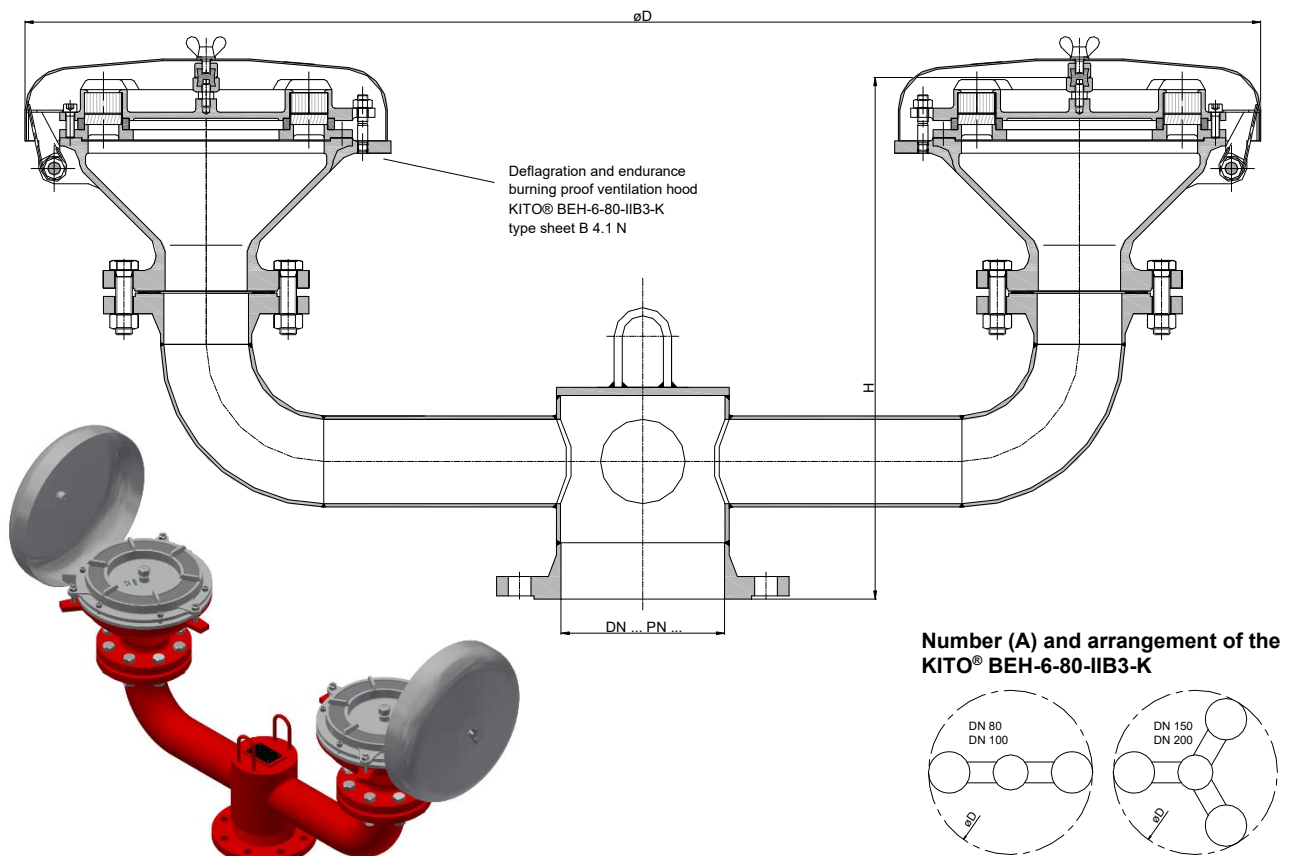
Deflagration and endurance burning proof ventilation hood  
**KITO® BEH/M-IIB3-...**



### Application

As an end-of-line flame arrester element to protect vent openings of storage tanks. Explosion and endurance burning proof for all inflammable liquids and vapors of explosion group IIB3 with a maximum experimental safe gap (MESG)  $\geq 0.65$  mm and an maximum operating temperature of 60 °C and also for alcohols. This device is not permitted to be installed in enclosed areas. Installation on top of storage tanks, tank access covers or breather pipes. The flame arrester protects a tank against flashbacks but allows the flow of gases out into the atmosphere and air into the tank.

### Dimensions (mm)



DIN	DN	ASME	D	H	A	kg
80 PN 16		3"	1538	550	2	
100 PN 16		4"		550		
150 PN 16		6"	1723	550	3	
200 PN 10		8"		565		

Weight refers to the standard design

### Example for order

**KITO® BEH/M-IIB3-80**  
 (design with flange connection DN 80 PN 16)

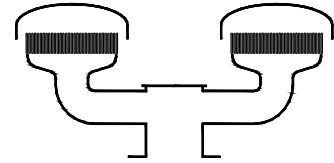
**Type examination certificate to EN ISO 16852 and CE-marking in accordance to ATEX-Directive 2014/34/EU for KITO® BEH-3-80-IIB1**

page 1 of 2



## Type sheet

Deflagration and endurance burning proof ventilation hood  
KITO® BEH/M-IIB3-...



### Design

	standard	optionally
housing	steel	stainless steel mat. no. 1.4571
housing KITO® BEH-6-80-IIB3-K	cast steel 1.0619	stainless cast steel 1.4408
gasket	HD 3822	PTFE
KITO®-flame arrester element	completely interchangeable	
KITO®-casing / KITO®-grid	stainless steel mat. no. 1.4408 / 1.4310	stainless steel mat. no. 1.4408 / 1.4571
weather hood	steel, hood can fold automatically as a result of folding mechanism and fusing element	stainless steel mat. no. 1.4571, hood can fold automatically as a result of folding mechanism and fusing element
flange connection	EN 1092-1 type B1	ASME B16.5 Class 150 RF