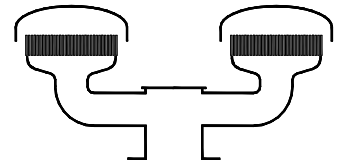




Type sheet

Deflagration and endurance burning proof ventilation hood KITO® BEH/M-IIB1-...

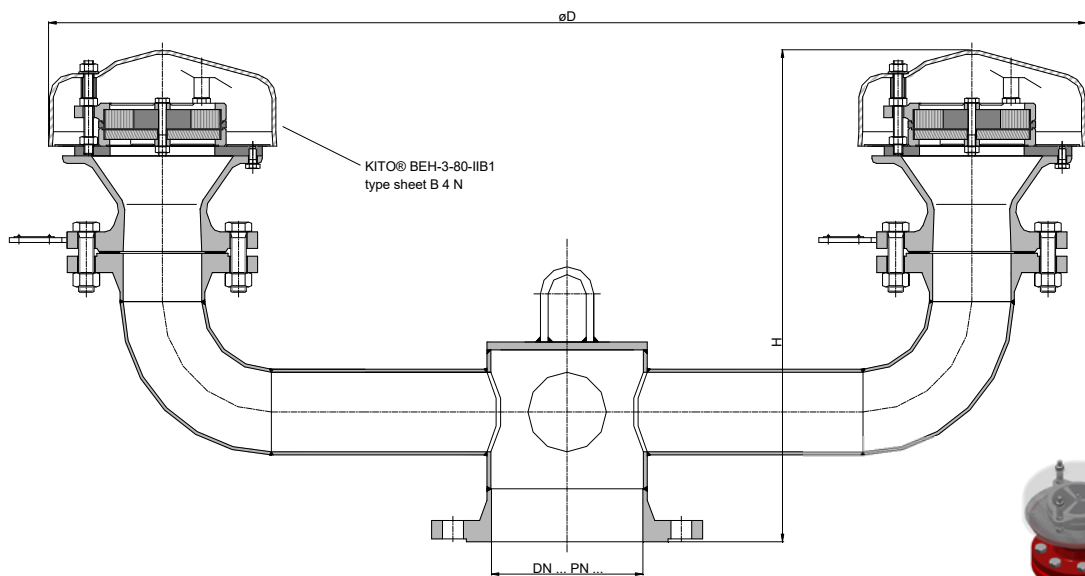


Application

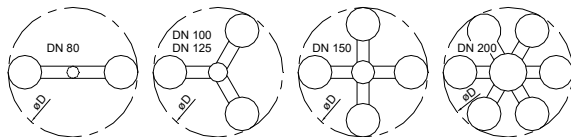
As an end-of-line flame arrester element to protect vent openings of storage tanks. Explosion and endurance burning proof for all inflammable liquids and vapors of explosion group IIB1 with a maximum experimental safe gap (MESG) ≥ 0.85 mm and an maximum operating temperature of 60 °C and also for alcohols. This device is not permitted to be installed in enclosed areas. Installation on top of storage tanks, tank access covers or breather pipes. The flame arrester protects a tank against flashbacks but allows the flow of gases out into the atmosphere and air into the tank.

With additional examination and approval, applicable also for alcohols (ethanol, methanol...)

Dimensions (mm)



Arrangement of the KITO® flame arrester elements



DIN	DN	ASME	D	H	number of KITO® BEH-3-80-IIB1	kg
80 PN 16		3"	855	505	2	28
100 PN 16		4"	950	515	3	45
125 PN 16		5"	950	515	3	
150 PN 16		6"	1110	515	4	59
200 PN 10		8"	1470	530	6	99

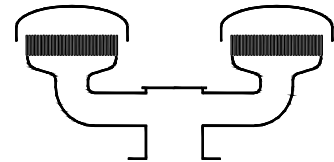
Weight refers to the standard design

Example for order

KITO® BEH/M-IIB1-80
(design with flange connection DN 80 PN 16)

Type examination certificate to EN ISO 16852 and CE-marking in accordance to ATEX-Directive 2014/34/EU for KITO® BEH-3-80-IIB1

Type sheet

 Deflagration and endurance burning proof ventilation hood
KITO® BEH/M-IIB1-...

Design

	standard	optionally
housing	steel	stainless steel mat. no. 1.4571
housing KITO® BEH-3-80-IIB1	cast steel 1.0619	stainless cast steel 1.4408
KITO®-flame arrester element	completely interchangeable	
KITO®-casing / KITO®-grid	stainless steel mat. no. 1.4408 / 1.4310	stainless steel mat. no. 1.4408 / 1.4571
weather hood	PMMA	
protective screen	PA 6	
flange connection	EN 1092-1 type B1	ASME B16.5 Class 150 RF