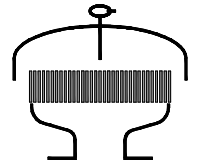


Type sheet

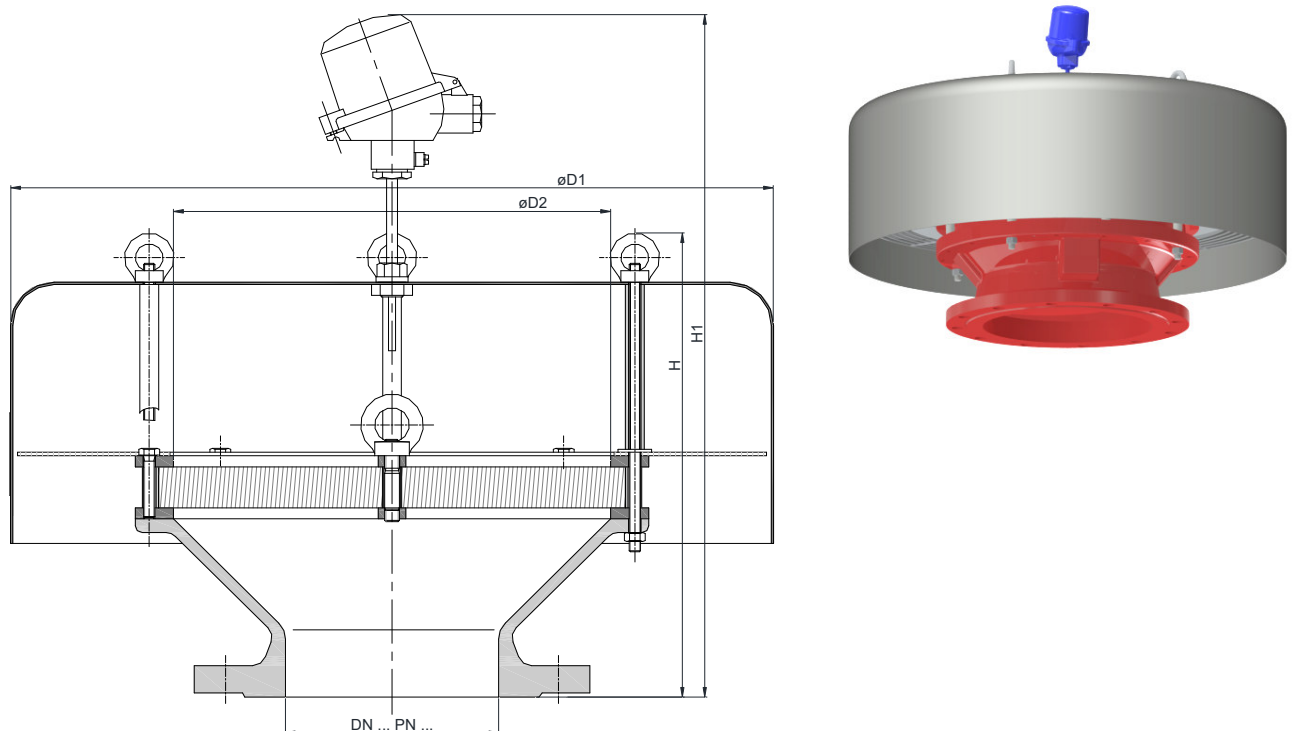
Deflagration and short-time burning proof ventilation hood
KITO® VH-...-IIB3-XT



Application

End-of-line venting device incorporating an explosion and short-time burn proof flame arrester element for installation on storage tanks. Suitable to protect flammable products of explosion group IIB3 with a maximum experimental safe gap (MESG) ≥ 0.65 mm up to a maximum operating temperature of 180 °C. This device is not permitted to be installed in enclosed areas. Installation on top of storage tanks, tank access covers or at the end of breather pipes. It prevent a flashback into the tank and allows the inbreathing and out breathing of the tank. Design with temperature sensor, to detect a "stabilized burning" (burn time 1 minute).

Dimensions (mm)



DIN	DN	ASME	D1	D2	H		H1		kg
50 PN 16		2"	285	110	214		390		8.5
80 PN 16		3"	295	150	242		430		14.5
100 PN 16		4"	350	185	297		454		20
150 PN 16		6"	600	315	342		500		41
200 PN 10		8"							45
250 PN 10		10"	800	395	474		614		84
300 PN 10		12"							81
350 PN 10		14"	1000	595	462	509	604	651	136
400 PN 10		16"			507	567	649	709	

Weight refers to the standard design

Example for order

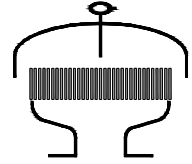
KITO® VH-300-IIB3-XT

(design with flange connection DN 300 PN 10 and a temperature sensor)

Type examination certificate to EN ISO 16852 and CE-marking in accordance to ATEX-Directive 2014/34/EU

Type sheet

Deflagration and short-time burning proof ventilation hood
KITO® VH-...-IIB3-XT



Design

	standard	optionally
housing	cast steel 1.0619 (≥ DN 350 steel)	stainless cast steel 1.4408 (≥ DN 350 stainless steel mat. no. 1.4571)
KITO®-flame arrester element	completely interchangeable	
KITO®-casing	steel	stainless steel mat. no. 1.4571
KITO®-grid	stainless steel mat. no. 1.4310	stainless steel mat. no. 1.4571
weather hood		stainless steel
protective screen	stainless steel mat. no. 1.4301	stainless steel mat. no. 1.4571
temperature sensor	PT 100, connection 3/8", 1.4571	
flange connection	EN 1092-1 type B1	ASME B16.5 Class 150 RF

Performance curves

Flow capacity V based on air of a density $\rho = 1.29 \text{ kg/m}^3$ at $T = 273 \text{ K}$ and atmospheric pressure $p = 1.013 \text{ mbar}$. For other gases the flow can be approximately calculated by

$$\dot{V} = \dot{V}_b \cdot \sqrt{\frac{\rho_b}{1.29}} \quad \text{or} \quad \dot{V}_b = \dot{V} \cdot \sqrt{\frac{1.29}{\rho_b}}$$

