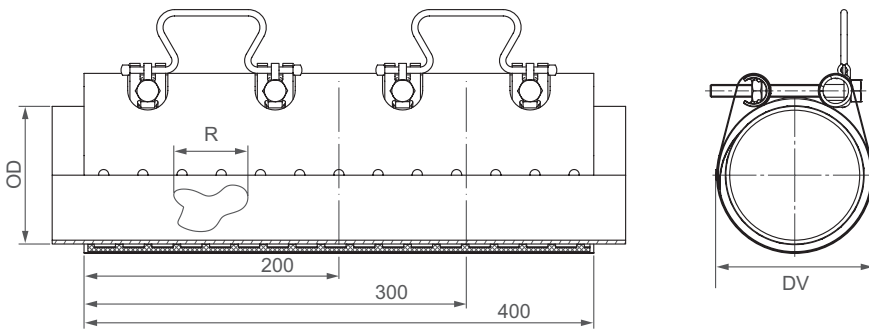


# STRAUB-CLAMP SCE (one piece) | $\varnothing$ 44.0 - 330.0 mm

Components	Materials
Casing	AISI 304
Bolts	A2 - 70
Bars	AISI 304

<b>Sealing sleeve EPDM</b>	Temp.: -5°C up to +40°C	Medium: all qualities of water, waste water, air, solids and chemical products
<b>Sealing sleeve NBR</b>	Temp.: -5°C up to +40°C	Medium: water, gas, oil, fuel and other hydrocarbons



Clamp length [mm]	R <sub>max</sub> [mm]
200	50
300	150
400	250



OD [mm]	Clamping range [mm]	PN * [bar]	2 locking bolts [mm]	3 locking bolts [mm]	4 locking bolts [mm]	DV [mm]	Torque rate [Nm]	Allen head [mm]	Thread M...
44.0	44 - 48	16	200	300	-	60	20	17	10
48.0	48 - 52	16	200	300	-	64	20	17	10
54.0	54 - 58	16	200	300	-	70	20	17	10
60.0	60 - 67	16	200	300	-	79	20	17	10
67.0	67 - 74	16	200	300	-	86	20	17	10
70.0	70 - 77	16	200	300	-	89	20	17	10
75.0	75 - 83	16	200	300	-	95	20	17	10
82.0	82 - 89	16	200	300	400	101	20	17	10
87.0	87 - 95	16	200	300	400	107	20	17	10
88.0	88 - 98	16	200	300	400	110	20	17	10
95.0	95 - 104	16	200	300	400	116	20	17	10
108.0	108 - 118	16	200	300	400	120	20	17	10
113.0	113 - 123	16	200	300	400	135	20	17	10
118.0	118 - 128	16	200	300	400	140	20	17	10
120.0	120 - 131	16	200	300	400	143	20	17	10
132.0	132 - 142	16	200	300	400	154	35	19	12
135.0	135 - 145	16	200	300	400	157	35	19	12
139.0	139 - 149	16	200	300	400	161	35	19	12
145.0	145 - 155	16	200	300	400	167	35	19	12
159.0	159 - 170	16	200	300	400	182	35	19	12
167.0	167 - 178	16	200	300	400	190	35	19	12
176.0	176 - 187	16	200	300	400	199	35	19	12
193.0	193 - 203	10	200	300	400	215	35	19	12
215.0	215 - 225	10	200	300	400	237	35	19	12
228.0	228 - 239	10	200	300	-	251	35	19	12
240.0	240 - 250	10	200	300	-	262	35	19	12
261.0	261 - 271	10	200	300	-	283	35	19	12
269.0	269 - 280	10	200	300	-	292	35	19	12
280.0	280 - 291	10	-	300	-	303	35	19	12
315.0	315 - 325	10	-	300	-	337	40	19	12
320.0	320 - 330	10	-	300	-	342	40	19	12

## Remarks:

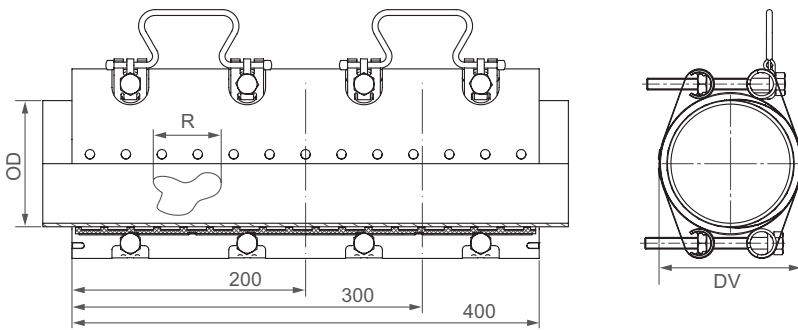
- Follow fitting instructions
- Test pressure = PN x 1.5
- Different pipe diameters (transition) are not possible
- Radial length of damaged area max. 20% of pipe outside diameters
- The repair clamp must be centred over the damaged area

\* working pressure for gas: max. 5 bar

## STRAUB-CLAMP SCZ (two pieces) | $\varnothing$ 88.0 - 440.0 mm

Components	Materials
Casing	AISI 304
Bolts	A2 - 70
Bars	AISI 304

<b>Sealing sleeve</b> <b>EPDM</b>	Temp.: -5°C up to +40°C Medium: all qualities of water, waste water, air, solids and chemical products
<b>Sealing sleeve</b> <b>NBR</b>	Temp.: -5°C up to +40°C Medium: water, gas, oil, fuel and other hydrocarbons



Clamp length [mm]	R <sub>max</sub> [mm]
200	50
300	150
400	250



OD [mm]	Clamping range [mm]	PN * [bar]	2 locking bolts [mm]	3 locking bolts [mm]	4 locking bolts [mm]	DV [mm]	Torque rate [Nm]	Allen head [mm]	Thread M...
88.0	88 - 110	16	200	300	400	117	20	17	10
100.0	100 - 120	16	200	300	400	132	20	17	10
108.0	108 - 128	16	200	300	400	140	20	17	10
114.0	114 - 134	16	200	300	400	146	20	17	10
120.0	120 - 140	16	200	300	400	152	20	17	10
130.0	130 - 150	16	200	300	400	162	20	19	12
140.0	140 - 160	16	200	300	400	172	35	19	12
159.0	159 - 180	16	200	300	400	192	35	19	12
168.0	168 - 189	16	200	300	400	201	35	19	12
190.0	190 - 210	16	200	300	400	223	35	19	12
210.0	210 - 230	10	200	300	400	242	35	19	12
218.0	218 - 238	10	200	300	400	252	35	19	12
240.0	240 - 260	10	200	300	400	272	35	19	12
269.0	269 - 289	10	200	300	400	301	35	19	12
282.0	282 - 302	10	200	300	400	314	35	19	12
315.0	315 - 335	10	200	300	400	347	40	19	12
322.0	322 - 344	10	-	300	400	356	40	19	12
337.0	337 - 358	6	-	300	400	370	40	19	12
347.0	347 - 367	6	-	300	400	379	40	19	12
365.0	365 - 385	5	-	-	400	397	40	19	12
390.0	390 - 410	5	-	-	400	422	40	19	12
410.0	410 - 430	5	-	-	400	442	40	19	12
420.0	420 - 440	5	-	-	400	452	40	19	12

### Remarks:

- Follow fitting instructions
- Test pressure = PN x 1.5
- Different pipe diameters (transition) are not possible
- Radial length of damaged area max. 20% of pipe outside diameters
- The repair clamp must be centred over the damaged area

\* working pressure for gas: max. 5 bar