



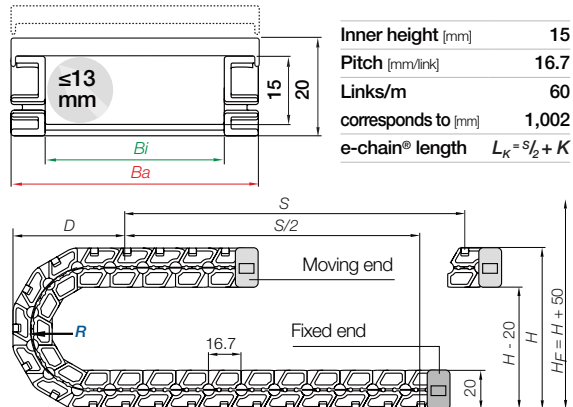
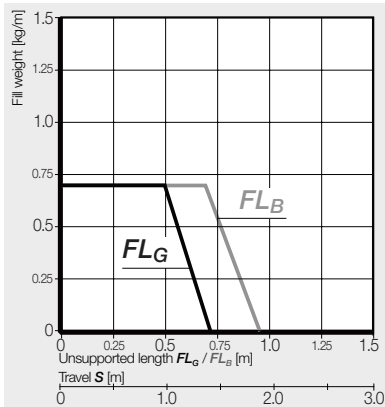
Image with plastic mounting bracket

e-chains® | Series E3.15 | Crossbars on a strip - zip-open along the outer radius

Part No.	Bi	Ba	R Available bend radii				E3.15
e-chains®	[mm]	[mm]	[mm]				[kg/m]
E3.15.020 .R.0	20	32	032	-	-	-	≈ 0.22
E3.15.040 .R.0	40	52	032	038	048	075	≈ 0.25
E3.15.060 .R.0	60	72	032	038	048	075	≈ 0.32

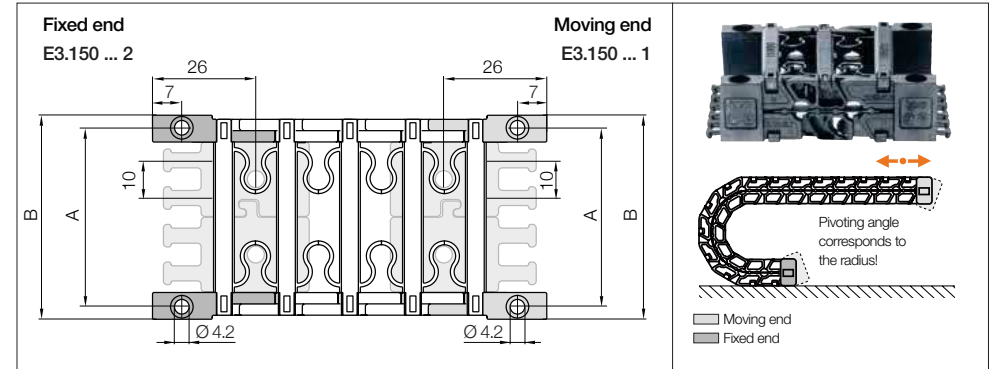
Complete Part No. with required radius (R). Example: E3.15.060.032.0

Installation dimensions

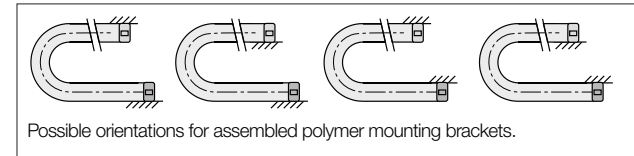


R	032	038	048	075
H	99	111	131	185
D	67	73	83	110
K	135	155	185	270

The required clearance height: $H_f = H + 50\text{mm}$ (with 0.2kg/m fill weight)

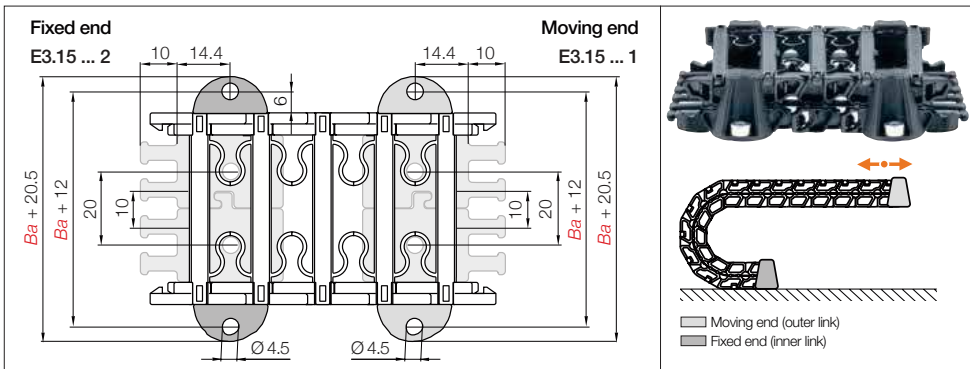


Width index	Part No. full set without tiewrap plates	A [mm]	B [mm]	Part No. strain relief at both ends
020.	E3.150.020.12	28	36	E3.020.12
040.	E3.150.040.12	48	56	E3.040.12
060.	E3.150.060.12	68	76	E3.060.12



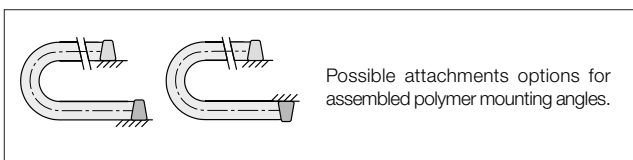
Part No. E3.150.XXX.12
Full set without strain relief. Tiewrap plates must be ordered separately.

Part No. E3.00.020
Tiewrap plate as a single part

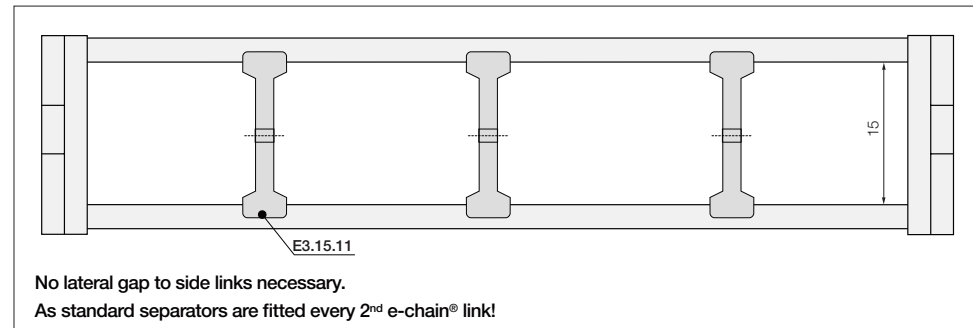


Width index	Part No. full set Strain relief at both ends + 4 mounting angles*	Part No. Mounting angle* (single part)	Part No. strain relief at both ends	Ba [mm]
020.	▶ E3.15.020.12	E3.15.00	E3.020.12	32
040.	▶ E3.15.040.12	E3.15.00	E3.040.12	52
060.	▶ E3.15.060.12	E3.15.00	E3.060.12	72

***Note:** If the mounting brackets are used, two links each end must be added to the calculated e-chain® length, because the first two links are fixed by the mounting brackets.



E3.15.060.12 Order example
 Full set
 width index
 Series



Slotted separator
 unassembled E3.15.01
 assembled E3.15.11

Slotted separator
 Separators can be arranged at any position in the chain cross section to divide the interior of the e-chain®.

Slotted separator on a strip
 unassembled E3.15.01.10
 assembled E3.15.11.10

Slotted separator on a strip
 Five vertical separators altogether on one strip over ten e-chain® links are mounted on the openable crossbars. In this way separate chambers are formed, protecting the cables. Dimensions same as E3.15.01.



igus® E3 system, ideal for very small installation spaces as well as very low-noise operation