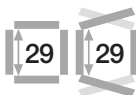


Dynamic, quiet, light, cleanroom suitable and easy to open



EF61.29 | Crossbars removable along the inner and outer radius
E61.29 | Crossbars openable along the inner and outer radius, from both sides

Part No.	Part No.	<i>B_i</i>	<i>B_a</i>	EF61.29	E61.29	Part No.	Part No.	<i>B_i</i>	<i>B_a</i>	EF61.29	E61.29
Crossbars removable	Openable from both sides	[mm]	[mm]	[kg/m]	[kg/m]	Crossbars removable	Openable from both sides	[mm]	[mm]	[kg/m]	[kg/m]
EF61.29.030.R.0	E61.29.030.R.0	30	44	≈ 0.558	≈ 0.558	EF61.29.090.R.0	E61.29.090.R.0	90	104	≈ 0.707	≈ 0.707
EF61.29.040.R.0	E61.29.040.R.0	40	54	≈ 0.583	≈ 0.583	EF61.29.100.R.0	E61.29.100.R.0	100	114	≈ 0.732	≈ 0.732
EF61.29.050.R.0	E61.29.050.R.0	50	64	≈ 0.608	≈ 0.608	EF61.29.110.R.0	E61.29.110.R.0	110	124	≈ 0.757	≈ 0.757
EF61.29.060.R.0	E61.29.060.R.0	60	74	≈ 0.633	≈ 0.633	EF61.29.120.R.0	E61.29.120.R.0	120	134	≈ 0.782	≈ 0.782
EF61.29.070.R.0	E61.29.070.R.0	70	84	≈ 0.657	≈ 0.657	EF61.29.140.R.0	E61.29.140.R.0	140	154	≈ 0.807	≈ 0.807
EF61.29.080.R.0	E61.29.080.R.0	80	94	≈ 0.682	≈ 0.682						

Available bend radii

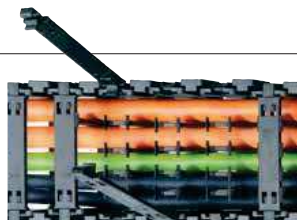
R [mm] | 055 | 075 | 100 | 125 | 150 |

Complete Part No. with required radius (*R*). Example: EF61.29.050.100.0 / E61.29.050.100.0

Series E61.29 special feature: openable crossbars

Crossbar openable along inner and outer radius, from both sides

An assembly video is available online at ► www.igus.eu/E61_assembly



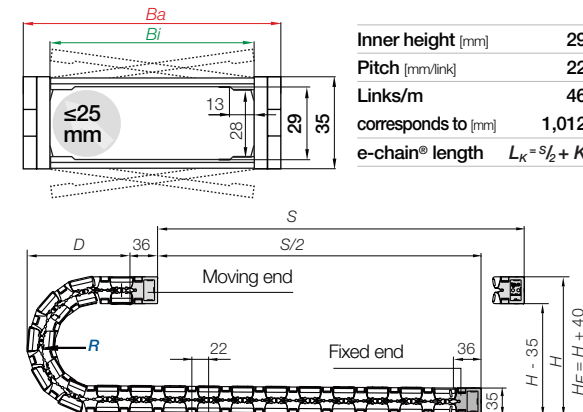
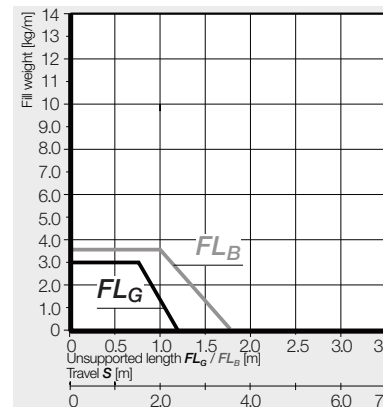
Cost-effective - Series EF61.29

- Series EF61.29 - 29mm inner height
- Available at an even lower price without the pivoting function of the crossbars
- Crossbars removable from both sides
- Otherwise, technically the same as the E61.29 series.

More information ► www.igus.eu/EF61.29



Unsupported applications | Short travels



Inner height [mm]	29
Pitch [mm/link]	22
Links/m	46
corresponds to [mm]	1,012
e-chain® length $L_K = S/2 + K$	

<i>R</i>	055	075	100	125	150
<i>H</i>	175	215	265	315	365
<i>D</i>	105.5	125.5	150.5	175.5	200.5
<i>K</i>	220	280	360	440	520

The required clearance height: $H_F = H + 40\text{mm}$ (with 2.0kg/m fill weight)



i If a gliding application is required for a long travel, please consult igus®.

Aluminium support tray

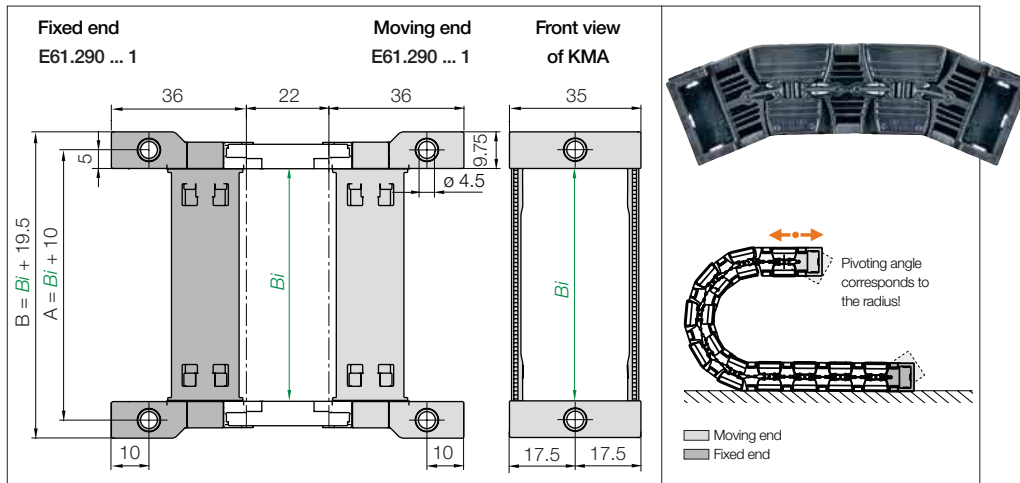
- Corrosion-resistant and seawater-resistant aluminium rails with adjustable width
 - Noise-reducing glide strip integrated as standard
 - Easy installation and connection of the e-chain®
 - Open design - dirt and debris fall through
- More information ► From page 1362



Steel support tray for support of the lower run

- Simple one-piece support trays for the lower run
 - To your requirements and specification
 - 4 options available
- More information ► From page 1356

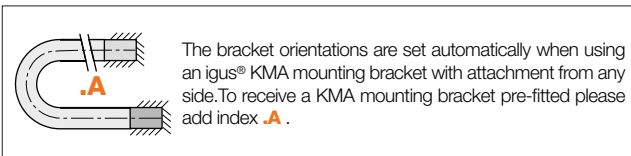




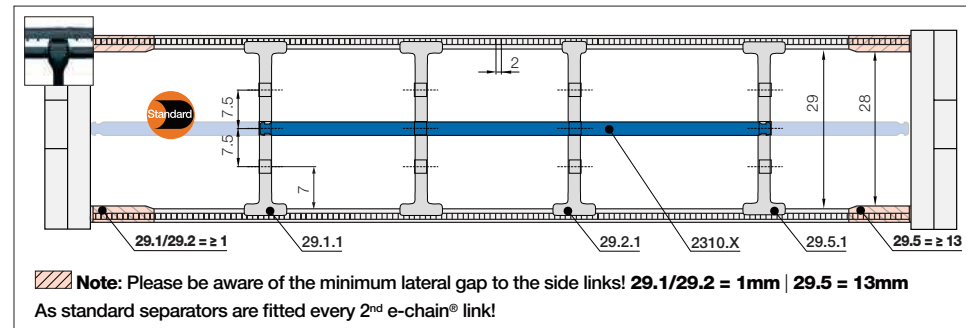
KMA pivoting | Recommended for unsupported applications

Width index	Part No. Full set KMA pivoting	A [mm]	B [mm]	Bi [mm]	Width index	Part No. Full set KMA pivoting	A [mm]	B [mm]	Bi [mm]
030.	E61.290.030.12	40	49.5	30	090.	E61.290.090.12	100	109.5	90
040.	E61.290.040.12	50	59.5	40	100.	E61.290.100.12	110	119.5	100
050.	E61.290.050.12	60	69.5	50	110.	E61.290.110.12	120	129.5	110
060.	E61.290.060.12	70	79.5	60	120.	E61.290.120.12	130	139.5	120
070.	E61.290.070.12	80	89.5	70	140.	E61.290.140.12	140	149.5	140
080.	E61.290.080.12	90	99.5	80					

(KMA = polymer metal mounting bracket) KMA mounting brackets are only available for an odd number of links.



Strain relief e.g. clamps, tiwrap plates, nuggets and clips are available from stock. The complete chainfix range with ordering options ▶ From page 1392



Standard separator, wide base

unassembled 29.1

assembled 29.1.1

Standard - for any application

Separator with a wide base for maximum holding force.

Separator, narrow top

unassembled 29.2

assembled 29.2.1

For even faster installation

Wide on one side for high holding force, narrow on opposite side for easy cable fitting.

Notch separator for notched crossbar

unassembled 29.5

assembled 29.5.1

Locks securely in preset increments

Notch separator for exact positioning. Recommended for side-mounted applications.

Shelf, lockable

unassembled 2300.X

assembled 2310.X

Horizontal separation

Full-width shelf locks securely into separators at both ends, giving a fixed width. Can be used as full-width or partial shelf.

Shelves

Width = X [mm]

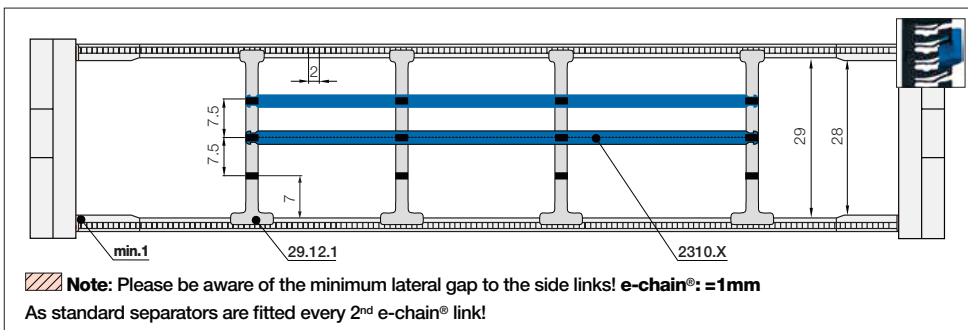
X [mm]	unassembled	assembled	X [mm]	unassembled	assembled	X [mm]	unassembled	assembled
015	2300.015	2310.015	060	2300.060	2310.060	087	2300.87	2310.087
025	2300.025	2310.025	062	2300.062	2310.062	090	2300.90	2310.090
030	2300.030	2310.030	065	2300.065	2310.065	100	2300.100	2310.100
038	2300.038	2310.038	070	2300.070	2310.070	103	2300.103	2310.103
040	2300.040	2310.040	075	2300.075	2310.075	110	2300.110	2310.110
050	2300.050	2310.050	077	2300.077	2310.077	120	2300.120	2310.120
057	2300.057	2310.057	080	2300.080	2310.080	125	2300.125	2310.125

Separator with integrated strain relief teeth

- Can be integrated into the mounting bracket or placed at any point
- Combines strain relief and interior separation, for restricted space conditions
- Strain relief separator is easy to assemble without any screws

Part No. E6.35.02.Z - more information ▶ From page 1428

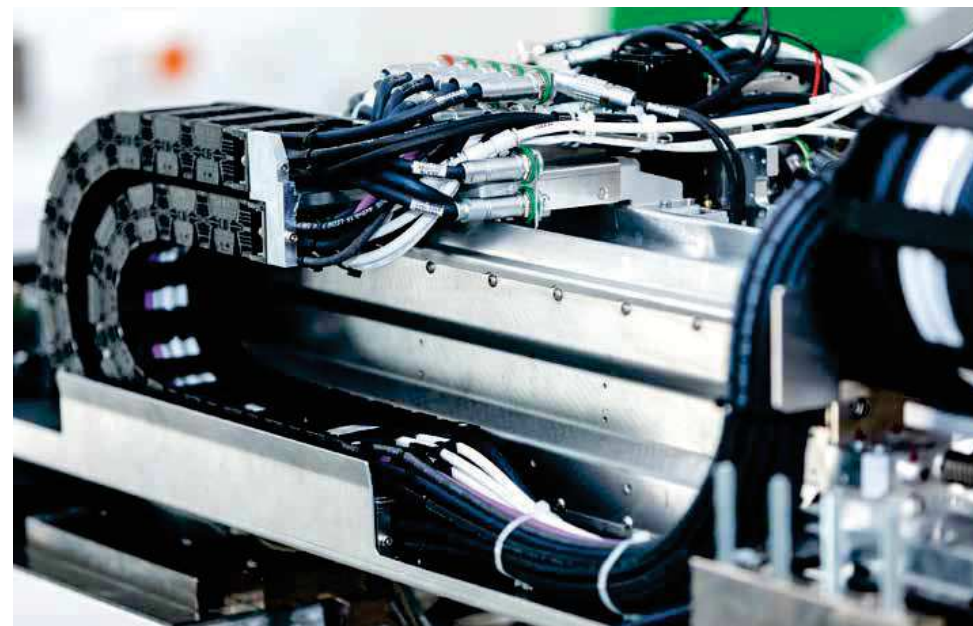
Interior separation | To allow faster filling



Lean separator ¹⁾	
unassembled	29.12
assembled	29.12.1

Lean separators¹⁾
For quick fitting of shelves in several layers. **1) Note:** Please combine maximum 4 lean separators with one shelf. Not suitable for side-mounted e-chains²⁾!

With the lean separator you can quickly insert several layers of cables into the e-chain[®] and reduce the installation time by up to 50%²⁾. 2) Lean interior separation vs. standard interior separation - measured on a 4m long e-chain[®] fitted with 12 cables in the igus[®] lab



Cleanroom suitable E6.1 series as a harnessed readychain[®] system for the semiconductor industry