

Rod ends with female thread: EBRM and EBLM



- Maintenance-free dry operation
- Robust
- Durable in varying loads
- Compensation of misalignment errors
- Resistant to edge loads
- Resistant to dirt, dust and lint
- Resistant to corrosion and chemicals
- Vibration-dampening
- Suitable for rotating, oscillating and linear movements
- Lightweight
- Dimensional E series according to DIN ISO 12240
- For temperatures up to +200°C we recommend EBRM-HT and EBLM-HT ► Page 760
- Detectable version ► Page 867

Service life calculation online  
► [www.igus.eu/igubal-expert](http://www.igus.eu/igubal-expert)

Technical data

Part No.	Max. static tensile strain		Max. static axial force		Min. thread depth Thread [mm]	Max. tightening torque Female thread [Nm]	Max. tightening torque through ball [Nm]	Weight [g]
	Short-term	Long-term	Short-term	Long-term				
	[N]	[N]	[N]	[N]				
EB□M-04	800	400	100	50	7	0.4	2.0	1.8
EB□M-05	1,300	650	150	75	8	0.5	2.0	3.2
EB□M-06	1,500	750	200	100	8	1.5	2.5	4.0
EB□M-08	2,000	1,000	450	225	11	5.0	7.0	6.9
EB□M-10	2,300	1,150	500	250	13	15.0	14.0	11.2
EB□M-10 F	2,300	1,150	500	250	13	6.0	14.0	11.2
EB□M-12	3,300	1,650	550	275	14	20.0	25.0	17.1
EB□M-12 F	3,300	1,650	550	275	14	15.0	25.0	17.1
EB□M-15	4,800	2,400	800	400	18	25.0	30.0	28.9
EB□M-16	5,000	2,500	850	425	18	20.0	32.0	32.6
EB□M-16 F	5,000	2,500	850	425	18	15.0	32.0	32.6
EB□M-17	5,300	2,650	1,100	550	19	30.0	35.0	42.4
EB□M-17 F	5,300	2,650	1,100	550	19	27.5	35.0	42.4
EB□M-20	7,200	3,600	1,800	900	22	60.0	40.0	65.8
EB□M-20 M20	7,200	3,600	1,800	900	22	60.0	40.0	65.8
EB□M-25	10,000	5,000	2,600	1,300	27	115.0	55.0	125.9
EB□M-30	10,500	5,250	3,000	1,500	33	130.0	70.0	184.1

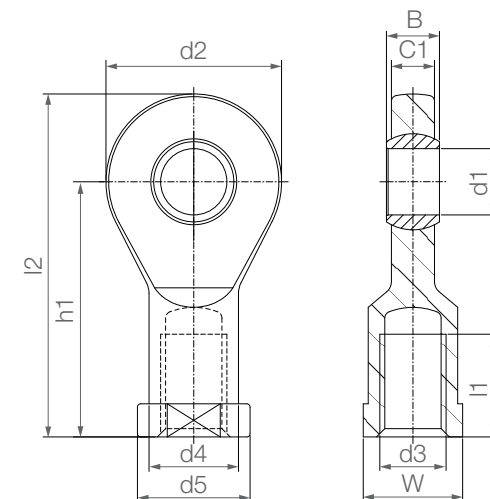
Alternative spherical ball materials ► Page 841



756 Online tools and more information ► [www.igus.eu/rod-end](http://www.igus.eu/rod-end)



Rod ends with female thread: EBRM and EBLM



Order key

Type	Size [mm]	Options
E B □ M - 04		
E series		
Housing (female thread)		
Thread		
Metric		
Inner Ø		

Thread  
L = Left-hand thread  
R = Right-hand thread

Material:  
Housing: igumid G ► Page 1654  
Spherical ball: iglidur® W300 ► Page 171  
Other spherical ball materials upon request  
► Page 841

Dimensions [mm]

Part No.	d1 E10	d2	d3	d4	d5	C1	B	h1	l1	l2	W	Max. pivot angle
EB□M-04 <sup>17)</sup>	4	15	M4	-	-	3.5	5	22.5	9.5	30.0	SW8	33°
EB□M-05	5	19	M5	9.0	11	4.4	6	30	12.0	39.5	SW9	33°
EB□M-06	6	21	M6	11.0	13	4.4	6	30	12.0	40.5	SW11	27°
EB□M-08	8	24	M8	13.0	16	6.0	8	36	14.0	48.0	SW14	24°
EB□M-10	10	29	M10	15.0	19	7.0	9	43	18.0	57.5	SW17	24°
EB□M-10 F	10	29	M10 x 1.25	15.0	19	7.0	9	43	18.0	57.5	SW17	24°
EB□M-12	12	34	M12	18.0	22	8.0	10	50	20.0	67.0	SW19	21°
EB□M-12 F	12	34	M12 x 1.25	18.0	22	8.0	10	50	20.0	67.0	SW19	21°
EB□M-15	15	40	M14	21.0	26	10.0	12	61	26.0	81.0	SW22	21°
EB□M-16 <sup>17)</sup>	16	43	M16	-	-	10.5	13	64.5	26.5	86.0	SW22	21°
EB□M-16 F <sup>17)</sup>	16	43	M16 x 1.5	-	-	10.5	13	64.5	26.5	86.0	SW22	21°
EB□M-17	17	46	M16	24.0	30	11.0	14	67	27.0	90.0	SW27	18°
EB□M-17 F	17	46	M16 x 1.5	24.0	30	11.0	14	67	27.0	90.0	SW27	18°
EB□M-20	20	53	M20 x 1.5	27.0	34	13.0	16	77	31.0	103.5	SW30	16°
EB□M-20 M20	20	53	M20 x 2.5	27.0	34	13.0	16	77	31.0	103.5	SW30	16°
EB□M-25	25	64	M24 x 2.0	34.0	41	17.0	20	94	38.0	126.5	SW36	16°
EB□M-30	30	73	M30 x 2.0	41.0	48	19.0	22	110	47.0	146.5	SW41	13°

<sup>17)</sup> Special design with hexagonal foot

For another spherical bearing material than iglidur® W300, please add "J" to the part number, for example. Example: EBRM-05 J.

Imperial dimensions available  
► Page 1606



3D CAD files, prices and delivery time online ► [www.igus.eu/rod-end](http://www.igus.eu/rod-end) 757