

Fixed flange bearings with 4 mounting holes: EFSM



- iglidur® W300 extremely wear-resistant spherical ball
- Easy to fit
- Compensation of misalignment errors
- Absolute corrosion resistance
- Lightweight
- Maintenance-free dry operation

Service life calculation online
▶ www.igus.eu/igubal-expert

Technical data

Part No.	Max. permissible axial load		Max. permissible radial load		Max. tightening torque Holes [Nm]	Weight [g]
	Short-term	Long-term	Short-term	Long-term		
	[N]	[N]	[N]	[N]		
EFSM-04	200	100	1,000	500	0.6	2.6
EFSM-05	300	150	1,000	500	0.6	2.7
EFSM-06	300	150	1,000	500	0.6	2.8
EFSM-08	450	225	1,400	700	1.3	5.9
EFSM-10	700	350	2,000	1,000	2.5	9.1
EFSM-12	850	425	2,500	1,250	2.5	11.0
EFSM-15	1,100	550	3,000	1,500	4.5	20.2
EFSM-16	1,350	675	3,200	1,600	4.5	23.3
EFSM-17	1,600	800	3,400	1,700	4.5	27.9
EFSM-20	2,000	1,000	4,000	2,000	10.5	45.0
EFSM-25	2,400	1,200	5,600	2,800	10.5	76.0
EFSM-30	2,800	1,400	6,000	3,000	21.5	100.7

Alternative spherical ball materials ▶ Page 841



808 Online tools and more information ▶ www.igus.eu/igubal-flange

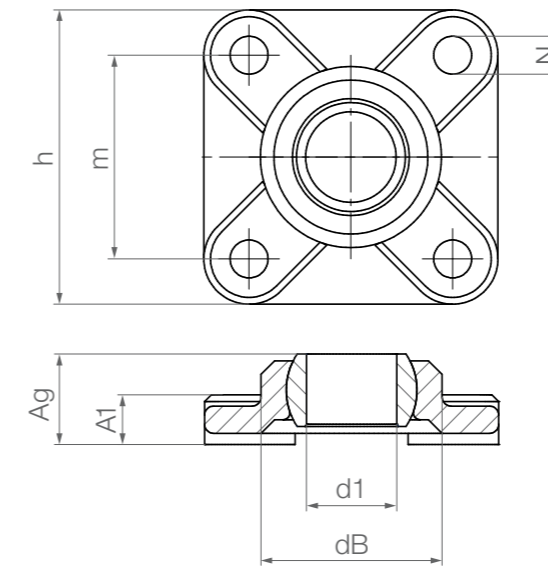


Order key

Type Size [mm]

E F S M -04

- E series
- Fixed flange bearing
- 4 holes
- Metric
- Inner Ø



Material:
Housing: **igumid G** ▶ Page 1654
Spherical ball: **igidur® W300** ▶ Page 171
Combination with **xiros®** ball bearings ▶ Page 936

Dimensions [mm]

Part No.	d1	dB	h Width	m Hole pitch	A1 Height of plate	Ag Total height	N Hole Ø	Max. pivot angle
	E10							
EFSM-04	4	14.0	25	17	4.5	8.5	3.2	28°
EFSM-05	5	14.0	25	17	4.5	8.5	3.2	29°
EFSM-06	6	14.0	25	17	4.5	8.5	3.2	25°
EFSM-08	8	18.0	33	22	5.5	10.5	4.3	25°
EFSM-10	10	21.9	38	26	6.5	12.0	5.3	25°
EFSM-12	12	25.0	40	28	7.0	13.0	5.3	21°
EFSM-15	15	30.0	49	34	8.5	15.5	6.4	20°
EFSM-16	16	32.0	52	36	9.0	16.5	6.4	27°
EFSM-17	17	35.0	54	38	10.0	18.0	6.4	21°
EFSM-20	20	40.0	65	45	11.0	20.0	8.4	19°
EFSM-25	25	48.5	74	52	14.0	25.0	8.4	15°
EFSM-30	30	54.5	85	60	15.0	26.0	10.5	14°

Standard tolerances:
from 0.5 to 6mm: ±0.1mm
from 6 to 30mm: ±0.2mm
from 30 to 120mm: ±0.3mm



3D CAD files, prices and delivery time online ▶ www.igus.eu/igubal-flange 809