

Clevis joints: GERM and GELM



- Lightweight
- Robust
- Absolute corrosion resistance
- High tensile force
- Can be combined with E series rod end
- Vibration-dampening
- Noise-dampening
- Available with left- (GELM) and right-hand-thread (GERM)

Service life calculation online  
▶ [www.igus.eu/igubal-expert](http://www.igus.eu/igubal-expert)

Technical data

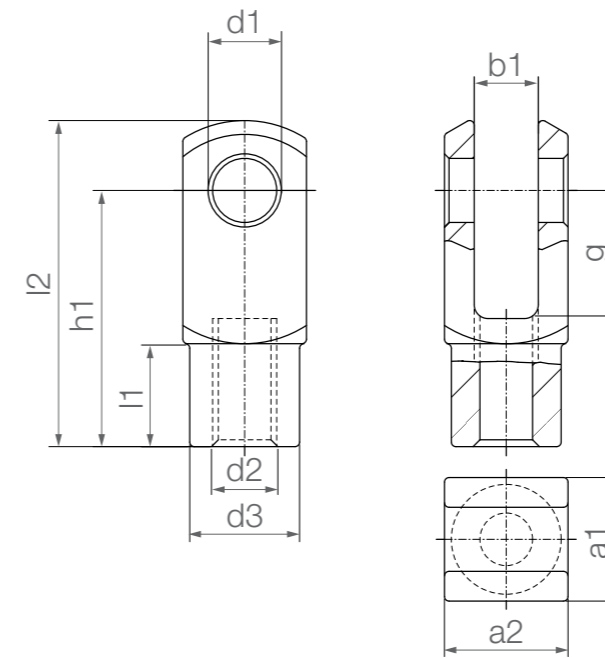
Part No.	max. static tensile strain		Max. static axial force		Max. tightening torque [Nm]	Weight [g]
	Short-term	Long-term	Short-term	Long-term		
	[N]	[N]	[N]	[N]		
GE□M-04 M3.5	650	325	250	125	0.4	0.9
GE□M-04	650	325	250	125	0.4	0.9
GE□M-05 DIN M4	1,000	500	250	125	0.4	1.5
GE□M-05 DIN M5	1,000	500	250	125	0.5	1.5
GE□M-05	1,200	600	250	125	0.5	2.7
GE□M-05 DIN M5 LS <sup>22)</sup>	1,000	500	130	65	0.5	2.3
GE□M-06	1,400	700	300	150	1.5	2.5
GE□M-06 LS <sup>22)</sup>	1,400	700	130	65	1.5	3.6
GE□M-08	2,700	1,350	650	325	5.0	6.3
GE□M-10	4,700	2,350	800	400	15.0	13.2
GE□M-10 F	4,700	2,350	800	400	6.0	13.2
GE□M-12	5,700	2,850	900	450	20.0	20.2
GE□M-12 F	5,700	2,850	900	450	15.0	20.2
GE□M-14	6,600	3,300	1,000	500	25.0	29.9
GE□M-14 F	6,600	3,300	1,000	500	20.0	29.9
GE□M-15	3,200	1,600	1,000	500	25.0	30.0
GE□M-16	7,500	3,750	1,200	600	30.0	49.9
GE□M-16 F	7,500	3,750	1,200	600	27.5	49.9
GE□M-17	3,600	1,800	1,200	600	30.0	50.0
GE□M-17 F	3,600	1,800	1,200	600	27.5	50.0
GE□M-20	9,500	4,750	3,000	1,500	60.0	105.0
GE□M-20 M20	9,500	4,750	3,000	1,500	80.0	105.0

<sup>22)</sup> LS = longer shank

774 Online tools and more information ▶ [www.igus.eu/clevis](http://www.igus.eu/clevis)



Clevis joints: GERM and GELM



Order key

Type	Size [mm]	Options
GE□M-04	04	LS
Clevis joint	E series	Thread
	Thread	Metric
	Inner Ø	
		Thread L = Left-hand thread R = Right-hand thread
		Add-on: LS = Longer shank

Material:  
igumid G ▶ Page 1654

Dimensions [mm]

Part No.	d1	g	a1	a2	b1	d2	d3	l2	h1	l1
	+0.1	h11	+0.3 -0.16	+0.3 -0.16	B13		±0.3	±0.5	±0.3	±0.2
GE□M-04 M3.5	4	8	8	8	4	M3.5	8	21.0	16	6.0
GE□M-04	4	8	8	8	4	M4	8	21.0	16	6.0
GE□M-05 DIN M4	5	10	10	10	5	M4	9	24.5	20	7.5
GE□M-05 DIN M5	5	10	10	10	5	M5	9	24.5	20	7.5
GE□M-05	5	12	12	12	6	M5	10	31.0	24	9.0
GE□M-05 DIN M5 LS <sup>22)</sup>	5	20	10	10	5	M5	9	36.0	30	7.5
GE□M-06	6	12	12	12	6	M6	10	31.0	24	9.0
GE□M-06 LS <sup>22)</sup>	6	24	12	12	6	M6	10	43.0	36	9.0
GE□M-08	8	16	16	16	8	M8	14	42.0	32	12.0
GE□M-10	10	20	20	20	10	M10	18	52.0	40	15.0
GE□M-10 F	10	20	20	20	10	M10x1.25	18	51.3	40	15.0
GE□M-12	12	24	24	24	12	M12	20	61.3	48	18.0
GE□M-12 F	12	24	24	24	12	M12x1.25	20	61.3	48	18.0
GE□M-14	14	28	27	27	14	M14	24	71.3	56	22.5
GE□M-14 F	14	28	27	27	14	M14x1.5	24	71.3	56	22.5
GE□M-15	15	28	27	27	14	M14	24	71.3	56	22.5
GE□M-16	16	32	32	32	16	M16	26	81.9	64	24.0
GE□M-16 F	16	32	32	32	16	M16x1.5	26	81.9	64	24.0
GE□M-17	17	32	32	32	16	M16	26	83.0	64	24.0
GE□M-17 F	17	32	32	32	16	M16x1.5	26	83.0	64	24.0
GE□M-20	20	40	40	40	20	M20x1.5	34	105.0	80	30.0
GE□M-20 M20	20	40	40	40	20	M20x2.5	34	105.0	80	30.0

<sup>22)</sup> LS = longer shank

3D CAD files, prices and delivery time online ▶ [www.igus.eu/clevis](http://www.igus.eu/clevis) 775

