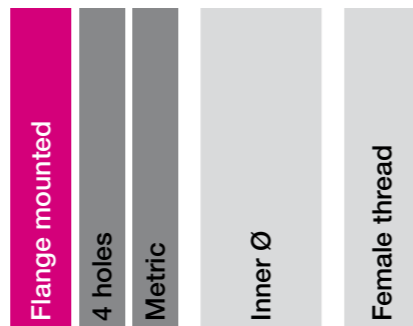


Complete housing with ball stud,  
female thread: GF S M-...-IG

Order key

Type	Size [mm]	Version
------	-----------	---------

GF S M- 06 - IG ES



Options:

Ball stud

Blank = Made of galvanised steel

ES = Made of stainless steel<sup>28)</sup>

Material:

Housing: igumid G ► Page 1654

Ball stud: galvanised and stainless steel<sup>28)</sup>

► Accessories, page 859

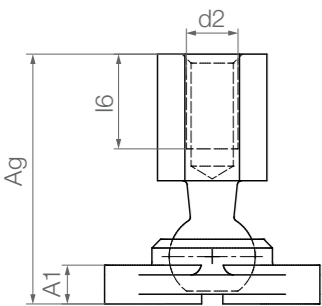
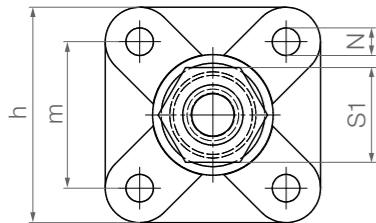
Tensile force ↑ Compressive force ↓



Force test  
direction



- Maintenance and corrosion-free
- Easy connection – easy assembly
- Compensation of misalignment errors



## Technical data

Part No.	Max. static tensile strain		Max. static compressive force		Weight [g]
	Short-term [N]	Long-term [N]	Short-term [N]	Long-term [N]	
GF S M-06-IG	150	75	350	175	16.4
GF S M-08-IG	250	125	750	375	34.0
GF S M-10-IG	140	70	1,200	600	61.1

## Dimensions [mm]

Part No.	d2	m	h	Ag	A1	l6	N	S1	Max. pivot angle
GF S M-06-IG	M6	17	25	29.0	4.5	11	3.2	SW11	32°
GF S M-08-IG	M8	22	33	36.0	5.5	12	4.3	SW14	40°
GF S M-10-IG	M10	26	38	43.5	6.5	16	5.3	SW17	34°

<sup>28)</sup> Stainless steel ball stud upon request

810 Online tools and more information ► [www.igus.eu/igubal-flange](http://www.igus.eu/igubal-flange)



Complete housing with ball stud,  
male thread: GF S M-...-AG

Order key

Type	Size [mm]	Version
------	-----------	---------

GF S M- 06 - AG ES



Options:

Ball stud<sup>19)</sup>

Blank = Made of galvanised steel

PZ = Made of plastic

ES = Made of stainless steel<sup>28)</sup>

Material:

Housing: igumid G ► Page 1654

Ball studs: plastic, galvanised steel and stainless steel<sup>28)</sup>

► Accessories, page 860

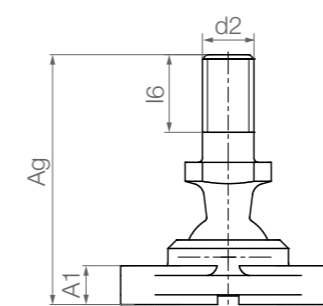
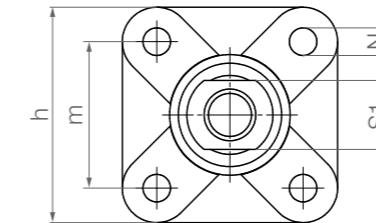
Tensile force ↑ Compressive force ↓



Force test  
direction



- Maintenance and corrosion-free
- Easy connection – easy assembly
- Compensation of misalignment errors



## Technical data

Part No.	Max. static tensile strain		Max. static compressive force		Weight [g]
	Short-term [N]	Long-term [N]	Short-term [N]	Long-term [N]	
GF S M-06-AG	150	75	350	175	10.6
GF S M-08-AG	250	125	750	375	23.1
GF S M-10-AG	140	70	1,200	600	41.2

## Dimensions [mm]

Part No.	d2	m	h	Ag	A1	l6	N	S1	Max. pivot angle
GF S M-06-AG	M6	17	25	29.0	4.5	10.5	3.2	SW8	32°
GF S M-08-AG	M8	22	33	36.0	5.5	13.5	4.3	SW11	34°
GF S M-10-AG	M10	26	38	43.5	6.5	16.0	5.3	SW13	34°

<sup>19)</sup> Ball stud with right-hand thread; left-hand thread upon request

<sup>28)</sup> Stainless steel ball stud upon request

811 3D CAD files, prices and delivery time online ► [www.igus.eu/igubal-flange](http://www.igus.eu/igubal-flange)

