



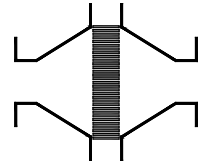
Type sheet

Bi-directional in-line deflagration flame arrester, endurance burning proof

KITO® RG-Def-I-...-1.3

KITO® RG-Def-I-...-1.3-T (-TT)

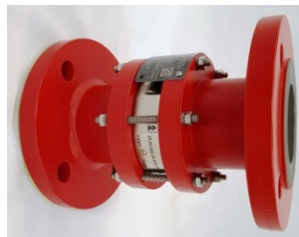
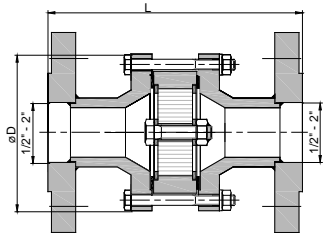
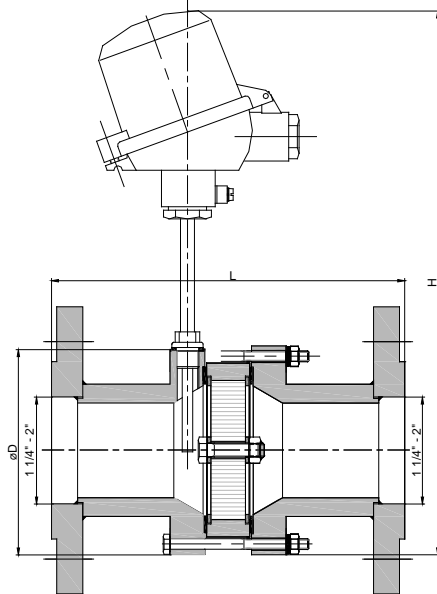
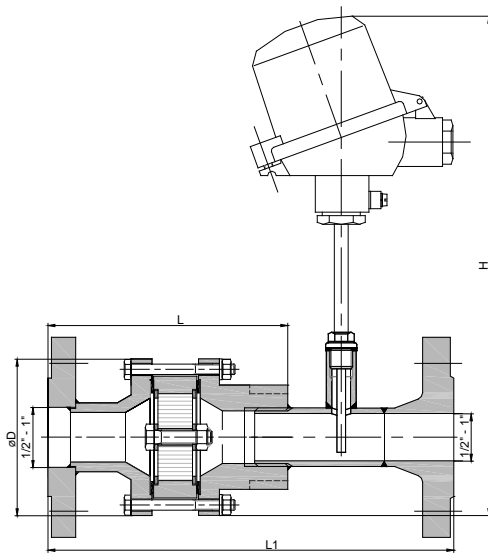
-design with flange connection -



Application

For installation into pipes to the protection of vessels and components against deflagration of flammable liquids and gases. Approved for all substances of explosion group IIA1 (old: I) with a maximum experimental safe gap (MESG) ≥ 1.14 mm. Bi-directionally working in pipes, whereby an operating pressure of 1.3 bar abs. and an operating temperature of 60 °C must not be exceeded. The distance between a potential ignition source and the flame arrester must not exceed 50 times the inner pipe diameter. All sizes are tested against "stabilized burning" and withstand this for indefinite time (endurance burn). To detect a "stabilized burning" a thermocouple can be installed at each endangered side. Mounting is acceptable in any position, in horizontal as well as in vertical pipes.

Dimension (mm)



	DN		D	L (DIN)	L (ASME)	L1 (DIN)	L1 (ASME)	H	kg
	DIN	ASME							
1/2"	15 PN 40	1/2"	90	151				290	
3/4"	20 PN 40	3/4"		147					
1"	25 PN 40	1"		147					
1 1/4"	32 PN 40	1 1/4"	120	170				315	
1 1/2"	40 PN 40	1 1/2"		180					
2"	50 PN 16	2"		204	204	-	-		

Weight refers to the standard design

Example for order

KITO® RG-Def-I-1 1/4"-1.3-T DN 32

(design with flange connection DN 32 PN 40 and a temperature sensor)

Type examination certificate to EN ISO 16852 and CE-marking in accordance to ATEX-Directive 2014/34/EU

page 1 of 2

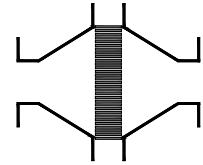
Type sheet

Bi-directional in-line deflagration flame arrester, endurance burning proof

KITO® RG-Def-I-...-1.3

KITO® RG-Def-I-...-1.3-T (-TT)

-design with flange connection -



Design

	standard	optionally
housing	steel	stainless steel mat. no. 1.4571
gasket	HD 3822	PTFE
KITO®-flame arrester element	completely interchangeable	
KITO®-casing / KITO®-grid	stainless steel mat. no. 1.4301 / 1.4310	stainless steel mat. no. 1.4571 / 1.4571
bolts / nuts	A2	A4
temperature sensor		PT 100, connection 1/4", 1.4571
flange connection	EN 1092-1 type B1	ASME B16.5 Class 150 RF

Performance curves

Flow capacity \dot{V} based on air of a density $\rho = 1.29 \text{ kg/m}^3$ at $T = 273 \text{ K}$ and atmospheric pressure $p = 1.013 \text{ mbar}$. For other gases the flow can be approximately calculated by

$$\dot{V} = \dot{V}_b \cdot \sqrt{\frac{\rho_b}{1.29}} \quad \text{or} \quad \dot{V}_b = \dot{V} \cdot \sqrt{\frac{1.29}{\rho_b}}$$

