
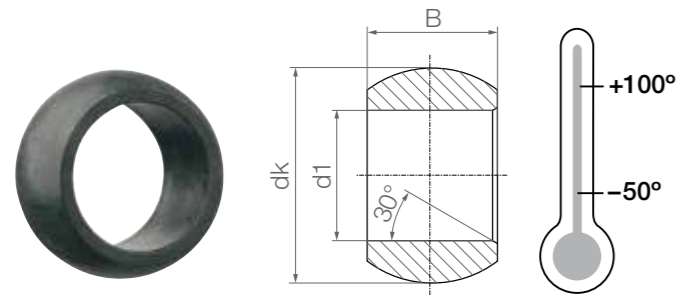


Spherical balls for underwater applications:  
UWEM

 Order key



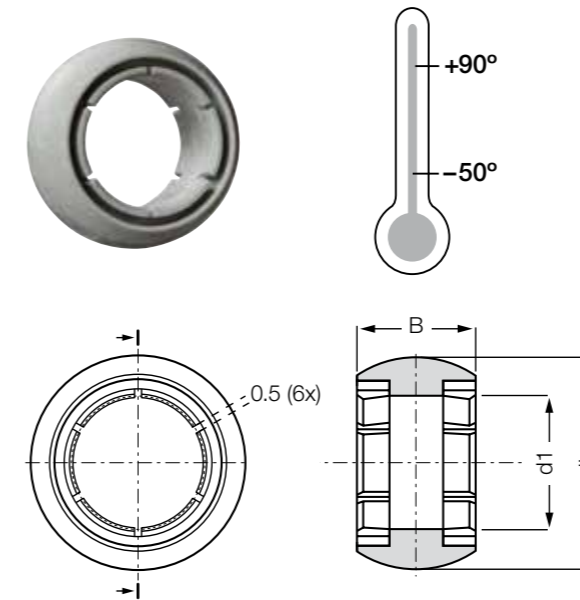
Type	Size [mm]
<b>UW E M-16-13</b>	
iglidur® UW spherical balls	
E series	
Metric	
Inner Ø d1	
Width	

Dimensions [mm]

Part No.	d1 E10	dK	B	Weight [g]
UWEM-10-09	10	16.10	9	1.4
UWEM-16-13	16	23.80	13	4.0
UWEM-20-16	20	28.80	16	6.5
UWEM-25-20	25	35.30	20	11.6
UWEM-30-22	30	40.50	22	15.2

Clearance-free, pre-loaded spherical balls:  
J4VEM

 Order key



Type	Size [mm]
<b>J4 V E M-08-08</b>	
iglidur® J4 spherical balls	
Pre-loaded	
E series	
Metric	
Inner Ø d1	
Width	

- Can be combined with all E series housings
- Sizes from 8 to 20mm
- Clearance-free, pre-loaded
- Totally clearance-free in unloaded state

Dimensions [mm]

Part No.	d1 E10	dK	B	Weight [g]
J4VEM-08-08	8	13.20	8	0.7
J4VEM-10-09	10	16.10	9	1.2
J4VEM-12-10	12	18.10	10	1.5
J4VEM-16-13	16	24.10	13	3.7
J4VEM-20-16	20	29.10	16	6.2

5 sizes available: Ø 8, 10, 12, 16, 20mm

combinable with:

igubal® rod ends EA(L)RM ► Page 758  
 igubal® rod ends EB(L)RM ► Page 756  
 igubal® pillow block bearings ESTM ► Page 795  
 igubal® fixed flange bearings EFOM ► Page 806

igubal® fixed flange bearings EFSM ► Page 808  
 igubal® clip bearings EGFM-T ► Page 829  
 igubal® spherical bearings EGLM ► Page 825  
 igubal® double joints EGZM ► Page 831