

The strong all-rounder, easy to open



e-chains® Series E2i.48 Crossbars openable along the inner radius, from both sides
 e-chains® Series E2.48 Crossbars openable along the outer radius, from both sides

Part No. e-chains® openable along inner radius	Part No. e-chains® openable along outer radius	Bi [mm]	Ba [mm]	R Available bend radii [mm]	E2.48 [kg/m]	E2i.48 [kg/m]
E2i.48.050.R.0*	E2.48.050.R.0*	50	72	075 100 125 150 175 200 250 300	≈ 1.77	≈ 1.77
E2i.48.075.R.0	E2.48.075.R.0	75	97	075 100 125 150 175 200 250 300	≈ 1.86	≈ 1.86
E2i.48.100.R.0	E2.48.100.R.0	100	122	075 100 125 150 175 200 250 300	≈ 2.00	≈ 2.00
E2i.48.115.R.0	E2.48.115.R.0	115	137	075 100 125 150 175 200 250 300	≈ 2.06	≈ 2.06
E2i.48.125.R.0*	E2.48.125.R.0*	125	147	075 100 125 150 175 200 250 300	≈ 2.12	≈ 2.12
E2i.48.150.R.0	E2.48.150.R.0	150	172	075 100 125 150 175 200 250 300	≈ 2.24	≈ 2.24
E2i.48.175.R.0	E2.48.175.R.0	175	197	075 100 125 150 175 200 250 300	≈ 2.36	≈ 2.36
E2i.48.200.R.0*	E2.48.200.R.0*	200	222	075 100 125 150 175 200 250 300	≈ 2.48	≈ 2.48
E2i.48.225.R.0*	E2.48.225.R.0*	225	247	075 100 125 150 175 200 250 300	≈ 2.60	≈ 2.60
E2i.48.250.R.0*	E2.48.250.R.0*	250	272	075 100 125 150 175 200 250 300	≈ 2.72	≈ 2.72

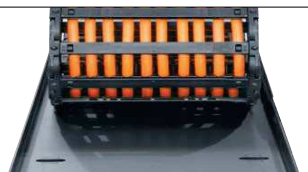
*Width available upon request. Please consult igus® for delivery time.

Complete Part No. with required radius (R). Example: E2.48.075.075.0

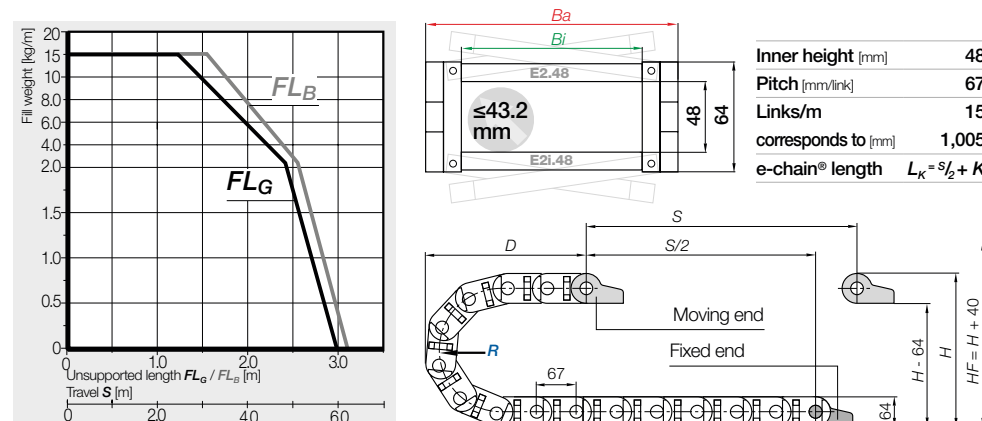
Steel support tray for support of the lower run

- Simple one-piece support trays for the lower run
- To your requirements and specification
- 4 options available

More information ► From page 1356



Unsupported applications | Short travels

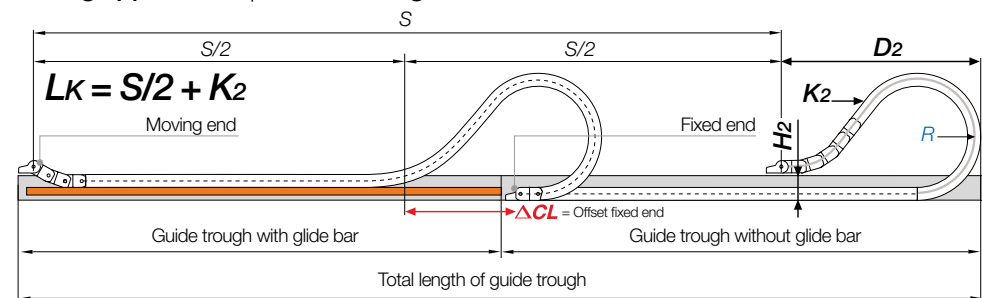


R	075	100	125	150	175	200	250	300
H	214	264	314	364	414	464	564	664
D	208	233	258	283	308	333	383	433
K	370	450	530	610	685	765	920	1,080

The required clearance height: $H_f = H + 40\text{mm}$ (with 2.5kg/m fill weight)

Before using series E2i.48 on long travels please consult igus®.

Gliding applications | For travel lengths 10m to max. 150m



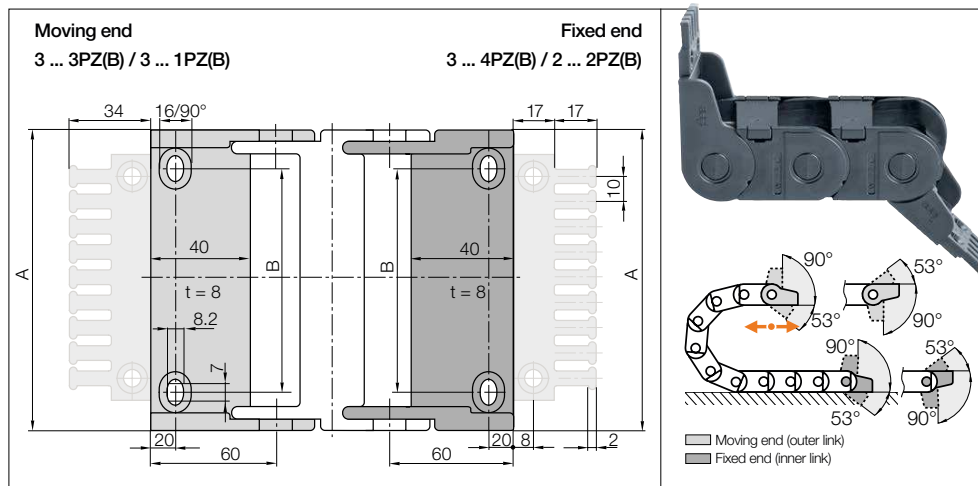
Note: Before using series E2i.48 on long travels please consult igus®.

For long travels, igus® recommends series E2.48 openable along the outer radius.

In case of travels between 6 and 10m we recommend an e-chain® with a longer unsupported length.

R	075	100	125	150	175	200	250	300
H ₂	214	264	186	186	186	186	186	186
D ₂ ⁺²⁵	208	233	475	570	725	780	1,010	1,150
K ₂	370	450	804	1,005	1,072	1,340	1,675	1,943
ΔCL	-	-	233	303	433	463	643	733

Before using series E2i.48 on long travels please consult igus®.

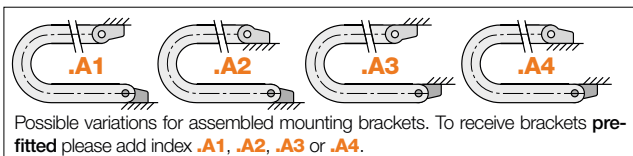


Polymer pivoting | Recommended for unsupported and gliding applications
Polymer locking | Recommended for vertical hanging and standing applications

Width index	Part No. full set pivoting		Part No. full set locking		A [mm]	B [mm]	Number of teeth
	with tiwrap plates	without tiwrap plate	with tiwrap plates	without tiwrap plate			
050	3050.34PZB*	3050.34PZ*	3050.12PZB*	3050.12PZ*	71	28	5
075	3075.34PZB	3075.34PZ	3075.12PZB	3075.12PZ	96	53	7
100	3100.34PZB	3100.34PZ	3100.12PZB	3100.12PZ	121	78	10
115	3115.34PZB	3115.34PZ	3115.12PZB	3115.12PZ	136	93	11
125	3125.34PZB*	3125.34PZ*	3125.12PZB*	3125.12PZ*	146	103	12
150	3150.34PZB	3150.34PZ	3150.12PZB	3150.12PZ	171	128	15
175	3175.34PZB	3175.34PZ	3175.12PZB	3175.12PZ	196	153	17
200	3200.34PZB*	3200.34PZ*	3200.12PZB*	3200.12PZ*	221	178	20
225	3225.34PZB*	3225.34PZ*	3225.12PZB*	3225.12PZ*	246	203	22
250	3250.34PZB*	3250.34PZ*	3250.12PZB*	3250.12PZ*	271	228	25

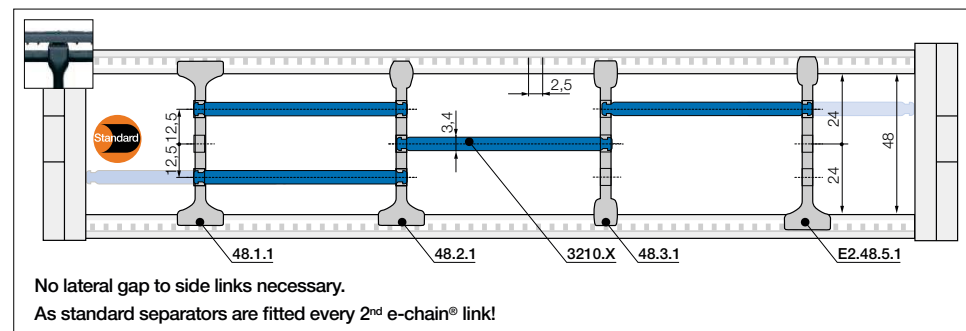
*Width available upon request. Please consult igus® for delivery time.

Full set with tiwrap plate + 10 cable tiwraps, please add index **K1**. Example: **3275.34PZBK1**



3075.34PZB.A2 Order example
 .A... to indicate option with brackets pre-fitted
 With integrated strain relief tiwrap plates
 Full set
 Series

Strain relief e.g. clamps, tiwrap plates, nuggets and clips are available from stock. The complete chainfix range with ordering options ▶ From page 1392



Standard separator, wide base

unassembled **48.1**
 assembled **48.1.1**

Standard - for any application
 Separator with a wide base for maximum holding force.

Separator, narrow top

unassembled **48.2**
 assembled **48.2.1**

For even faster installation
 Wide on one side for high holding force, narrow on opposite side for easy cable fitting.

Separator, narrow

unassembled **48.3**
 assembled **48.3.1**

For small cables
 Separator with a narrow base for a large number of small cables side by side. Saves space.

Notch separator for notched crossbar

unassembled **E2.48.5**
 assembled **E2.48.5.1**

Locks securely in preset increments
 Notch separator for exact positioning. Recommended for side-mounted applications.

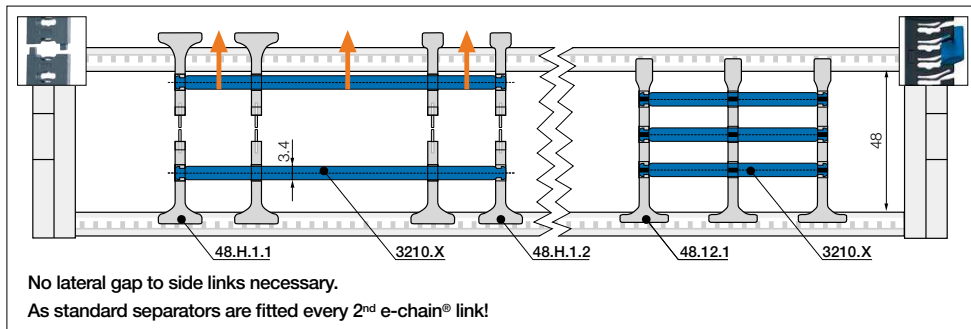
Shelf, lockable

unassembled **3200.X**
 assembled **3210.X**

Horizontal separation
 Full-width shelf locks securely into separators at both ends, giving a fixed width. Can be used as full-width or partial shelf.

Shelves Width = X [mm]	X [mm] unassembled		X [mm] assembled		X [mm] unassembled		X [mm] assembled	
	un	as	un	as	un	as	un	as
050	3200.050	3210.050	125	3200.125	3210.125	225	3200.225	3210.225
075	3200.075	3210.075	150	3200.150	3210.150	250	3200.250	3210.250
100	3200.100	3210.100	175	3200.175	3210.175			
115	3200.115	3210.115	200	3200.200	3210.200			

Interior separation | To allow faster filling



	<p>Split separator, wide base/top</p> <p>unassembled 48.H.1</p> <p>assembled 48.H.1.1</p>
	<p>Split separator, narrow top</p> <p>unassembled 48.H.2</p> <p>assembled 48.H.2.1</p>
	<p>Lean separator¹⁾</p> <p>unassembled 48.12</p> <p>assembled 48.12.1</p>

Split separators

In order to fill e-chains® more easily and effectively, these separators can be split in the middle. This allows easier access to middle shelf partitions. Fast assembly and easy retrofit. 2 types available: with wide or narrow top.

Lean separators¹⁾

For quick fitting of shelves in several layers.

1) Note: Please combine maximum 4 lean separators with one shelf. Not suitable for side-mounted e-chains®!

With the lean separator you can quickly insert several layers of cables into the e-chain® and reduce the installation time by up to 50%²⁾.

²⁾ Lean interior separation vs. Standard separator - measured on a 4m long e-chain® fitted with 12 cables in the igus® readychain® factory



CFU strain relief with innovative honeycomb design

- Fast filling, openable from both sides for assembly in seconds
- Flexible honeycomb design for increased holding force
- Tribologically optimised honeycomb design for the best hold
- Universal use, compact, space-saving design

More information ► From page 1422



Crossbar with integrated grid and openable from both ends - from the top or the side with a screwdriver