



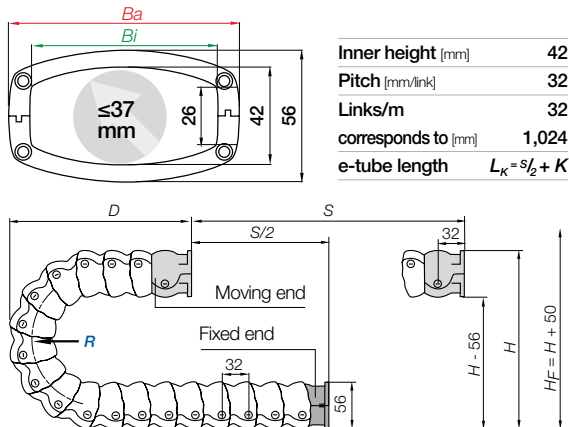
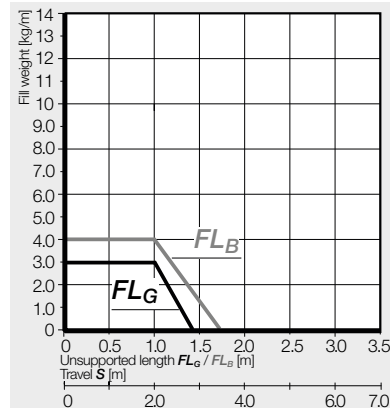
e-tubes | Series RX32 | Lids removable along the outer radius

Part No.	Bi	Ba	R	Available bend radii	RX32
e-tubes	[mm]	[mm]	[mm]		[kg/m]
RX32.080.R.0	80	98.4	080 100 125 150 175 200* 225* 250*		≈ 1.23

*Radius available upon request. Please consult igus® for delivery time.

Complete Part No. with required radius (R). Example: RX32.080.080.0

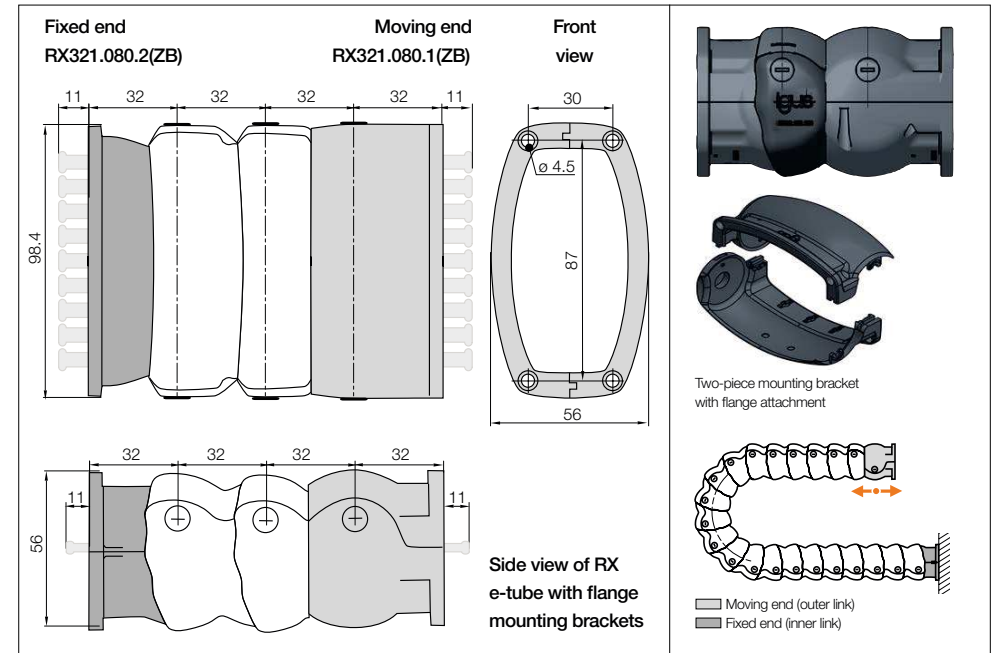
Installation dimensions



R	080	100	125	150	175	200*	225*	250*
H	216	256	306	356	406	456	506	556
D	156	176	201	226	251	276	301	326
K	320	380	460	540	615	695	775	850

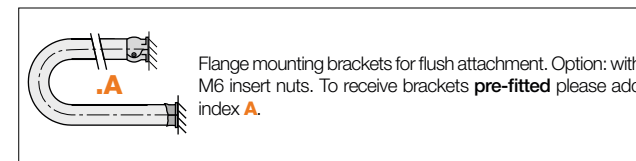
The required clearance height: $H_e = H + 50\text{mm}$ (with 0.5kg/m fill weight)

*Radius available upon request. Please consult igus® for delivery time.



Mounting brackets, flange | Locking

Width index	Part No. full set with tiewrap plates	Part No. full set without tiewrap plates	Number of teeth
080. ▶	RX321.080.12ZB	RX321.080.12	8

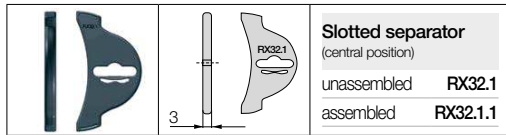
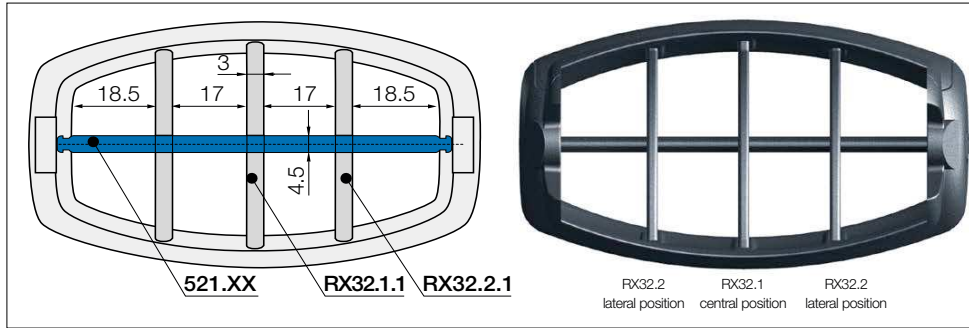


RX321.080.12ZB.A Order example

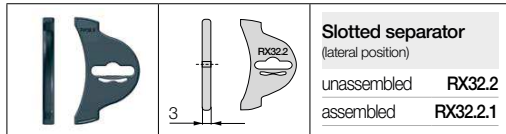
- Pre-assembled
- With integrated strain relief tiewrap plates
- Full set
- Width index
- Series

Strain relief e.g. clamps, tiewrap plates, nuggets and clips are available from stock. The complete chainfix range with ordering options ▶ From page 1392

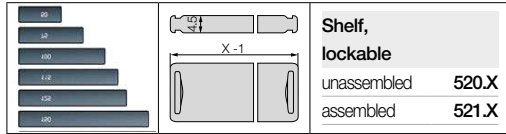
Interior separation



Slotted separator
(central position)
unassembled **RX32.1**
assembled **RX32.1.1**



Slotted separator
(lateral position)
unassembled **RX32.2**
assembled **RX32.2.1**



Shelf, lockable
unassembled **520.X**
assembled **521.X**



Shelves
Width = X [mm]

X [mm]	unassembled	assembled	X [mm]	unassembled	assembled
024	520.24	521.24	064	520.64	521.64
044	520.44	521.44	084	520.84	521.84

Vertical separation - slotted separators:

RX32.1 (central position)

RX32.2 (lateral position)

Vertical separation of the interior space using cable-friendly, polymer separators. Due to their slots, basic vertical and horizontal shelving arrangements are possible. As standard separators are fitted every 2nd e-tube link!

Horizontal separation

Full-width shelf locks securely into separators at both ends, giving a fixed width. Can be used as full-width or partial shelf.

Hot swarf up to +850°C for e-tubes

- e-tubes can repel swarf up to +850°C. Special production option with the igus® material igumid HT
 - No hot swarf melting or embedding into the chain
- More information ► www.igus.co.uk/HT



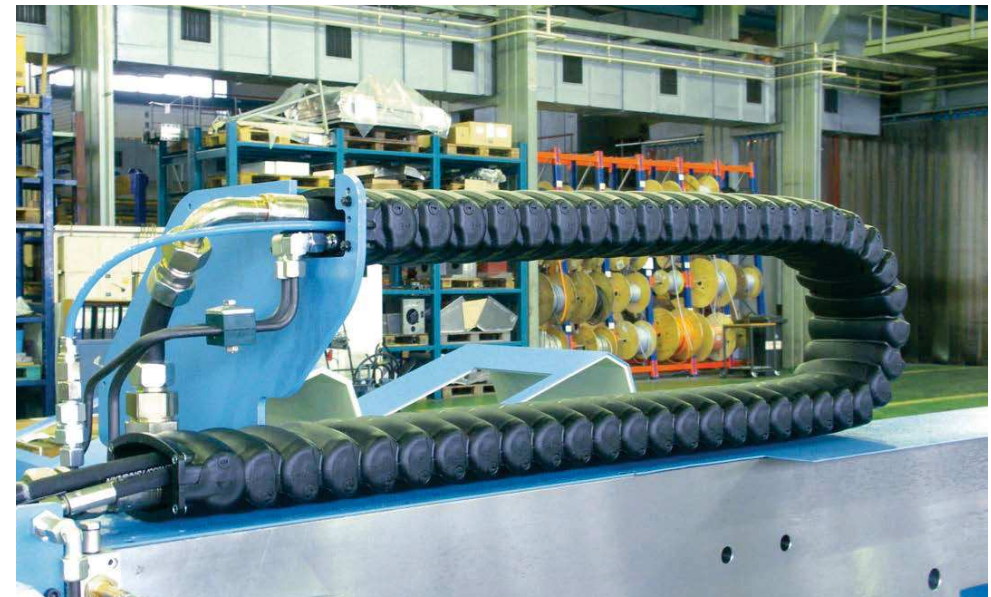
Steel support tray for support of the lower run

- Simple one-piece support trays for the lower run
 - Guides the RX e-tube safely and lets the swarf pass through easily
 - Available in different lengths
- More information ► www.igus.co.uk/RX



Strain relief block for flange mounting brackets

- Strain relief block to match cable layout
 - Fast assembly
 - Can be integrated in the RX e-tube flange mounting bracket
- More information ► www.igus.co.uk/RX32



Supply of the main spindle in a tooling machine with igus® RX e-tube. The rounded contour of the energy supply repels all kinds of swarf