

Extremely swarf-resistant, large size



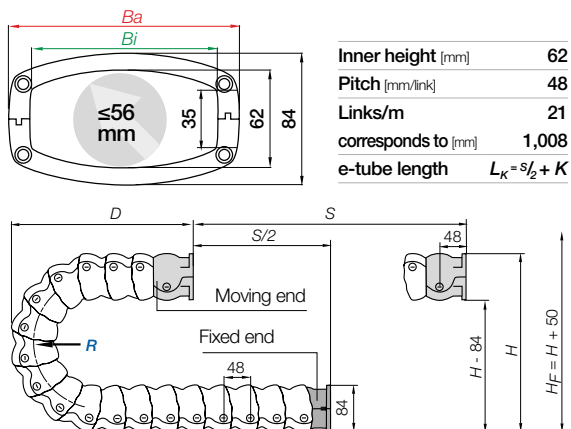
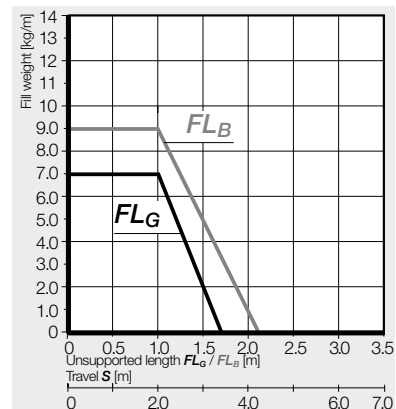
e-tubes | Series RX48 | Lids removable along the outer radius

Part No.	Bi	Ba	R	Available bend radii	RX48
e-tubes	[mm]	[mm]	[mm]		[kg/m]
RX48.120.R.0	120	147.6	120	150 175* 200* 225 250* 275* 300* 325*	≈ 2.76

*Radius available upon request. Please consult igus® for delivery time.

Complete Part No. with required radius (R). Example: RX48.120.120.0

Installation dimensions

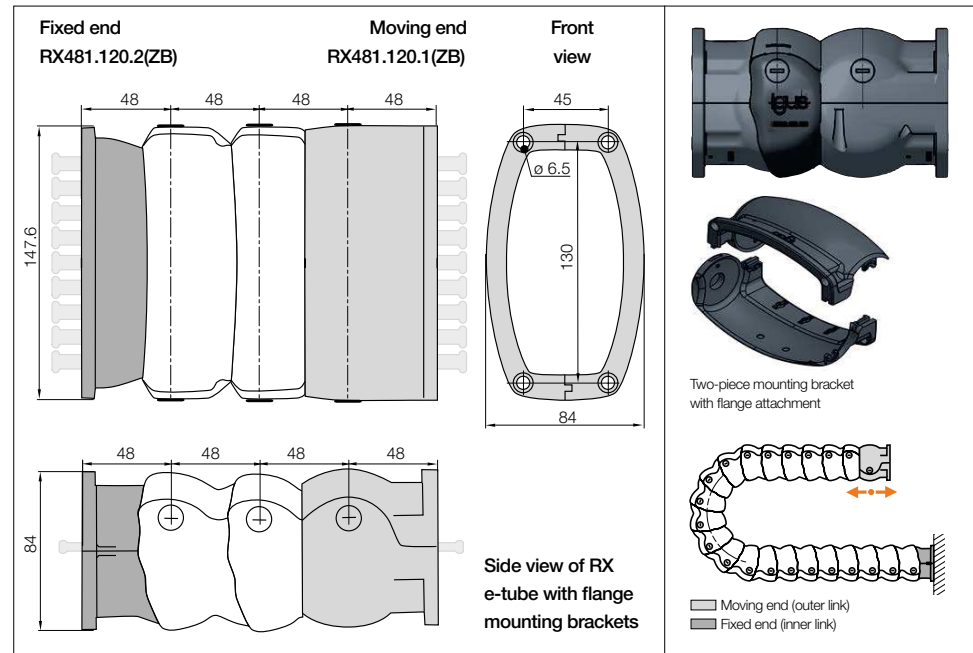


R	120	150	175*	200*	225	250*	275*	300*	325*
H	324	384	434	484	534	584	634	684	734
D	234	264	289	314	339	364	389	414	439
K	475	570	650	725	805	885	960	1,040	1,120

The required clearance height: $H_e = H + 50\text{mm}$ (with 0.5kg/m fill weight)

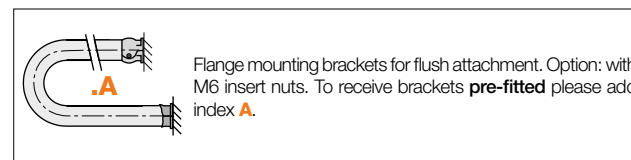
*Radius available upon request. Please consult igus® for delivery time.

Mounting brackets, flange | Polymer, two-piece | Locking



Mounting brackets, flange | Locking

Width index	Part No. full set with tiewrap plates	Part No. full set without tiewrap plates	Number of teeth
120. ▶	RX481.120.12ZB	RX481.120.12	12

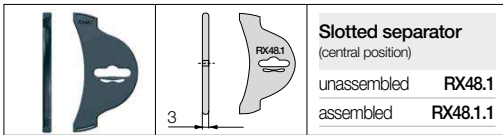
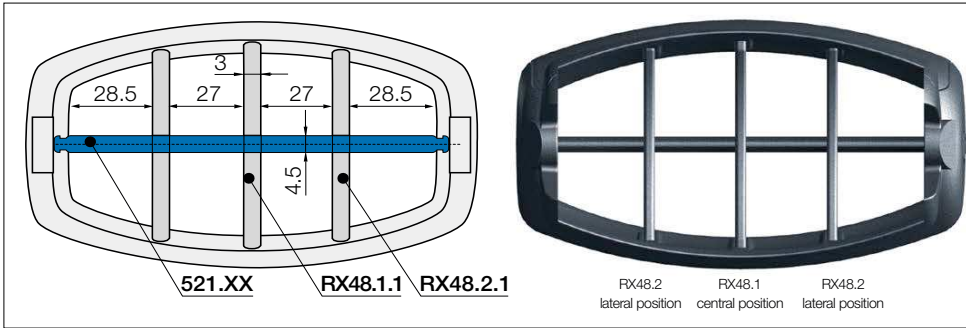


RX481.120.12ZB.A Order example

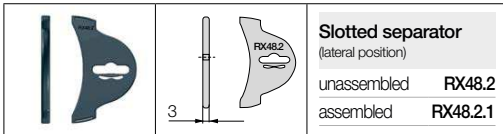
- Pre-assembled
- With integrated strain relief tiewrap plates
- Full set
- Width index
- Series

Strain relief e.g. clamps, tiewrap plates, nuggets and clips are available from stock. The complete chainfix range with ordering options ▶ From page 1392

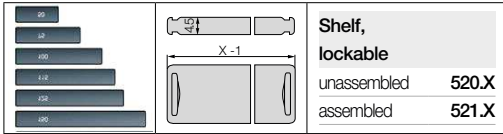
Interior separation



Slotted separator
(central position)
unassembled **RX48.1**
assembled **RX48.1.1**



Slotted separator
(lateral position)
unassembled **RX48.2**
assembled **RX48.2.1**



Shelf, lockable
unassembled **520.X**
assembled **521.X**



Shelves
Width = X [mm]

X [mm]	unassembled	assembled	X [mm]	unassembled	assembled
034	520.34	521.34	094	520.94	521.94
064	520.64	521.64	124	520.124	521.124

Vertical separation - slotted separators:

RX48.1 (central position)
RX48.2 (lateral position)

Vertical separation of the interior space using cable-friendly, polymer separators. Due to their slots, basic vertical and horizontal shelving arrangements are possible. As standard separators are fitted every 2nd e-tube link!

Horizontal separation

Full-width shelf locks securely into separators at both ends, giving a fixed width. Can be used as full-width or partial shelf.

Hot swarf up to +850°C for e-tubes

- e-tubes can repel swarf up to +850°C. Special production option with the igus® material igumid HT
 - No hot swarf melting or embedding into the chain
- More information ► www.igus.co.uk/HT



Steel support tray for support of the lower run

- Simple one-piece support trays for the lower run
 - Guides the RX e-tube safely and lets the swarf pass through easily
 - Available in different lengths
- More information ► www.igus.co.uk/RX



Strain relief block for flange mounting brackets

- Strain relief block to match cable layout
 - Fast assembly
 - Can be integrated in the RX e-tube flange mounting bracket
- More information ► www.igus.co.uk/RX48



With the extremely swarf-resistant igus® RX e-tube and harnessed chainflex® cables, the service life of this woodworking machine was considerably increased. Because of dust and dirt, previous cables failed after one month