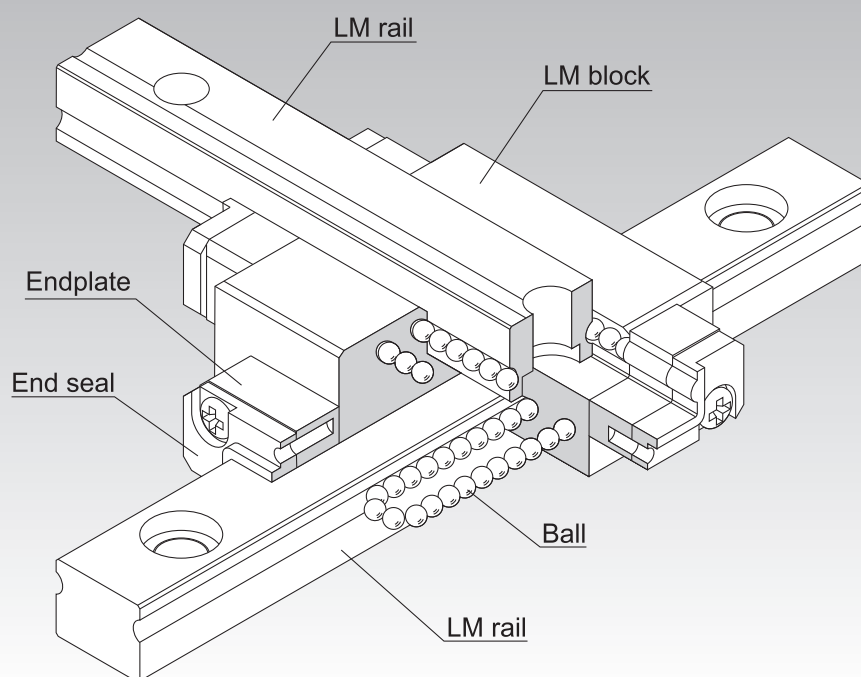


MX

LM Guide Miniature Cross Guide Model MX



Point of Selection **A1-10**

Point of Design **A1-460**

Options **A1-485**

Model No. **A1-551**

Precautions on Use **A1-557**

Accessories for Lubrication **A24-1**

Mounting Procedure and Maintenance **B1-89**

Equivalent Moment Factor **A1-43**

Rated Loads in All Directions **A1-60**

Equivalent Factor in Each Direction **A1-62**

Radial Clearance **A1-73**

Accuracy Standards **A1-85**

Shoulder Height of the Mounting Base and the Corner Radius **A1-470**

Dimensions of Each Model with Options Attached **A1-499**

A1-318 **THK**

Structure and Features

Balls roll in two rows of raceways precision-ground on an LM rail and an LM block, and endplates incorporated in the LM block allow the balls to circulate. This model is an integral type of LM Guide that squares a unit of miniature LM Guide model RSR with another and uses two LM rails in combination. Since an orthogonal LM system with an extremely low height can be achieved with model MX alone, a conventionally required saddle is no longer necessary and the whole system can be downsized.

[4-way Equal Load]

Each row of balls is placed at a contact angle of 45° so that the rated loads applied to the LM block are uniform in the four directions (radial, reverse radial and lateral directions), enabling the LM Guide to be used in all orientations.

[Tapped-hole LM Rail Type]

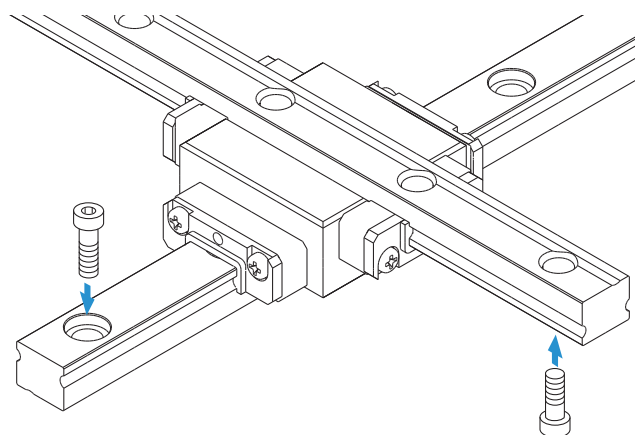
There are two types of the LM rail: one designed to be mounted from the top with bolts, and a semi-standard type whose bottom face has tapped holes, allowing the rail to be mounted from the bottom.

Types and Features

Model MX

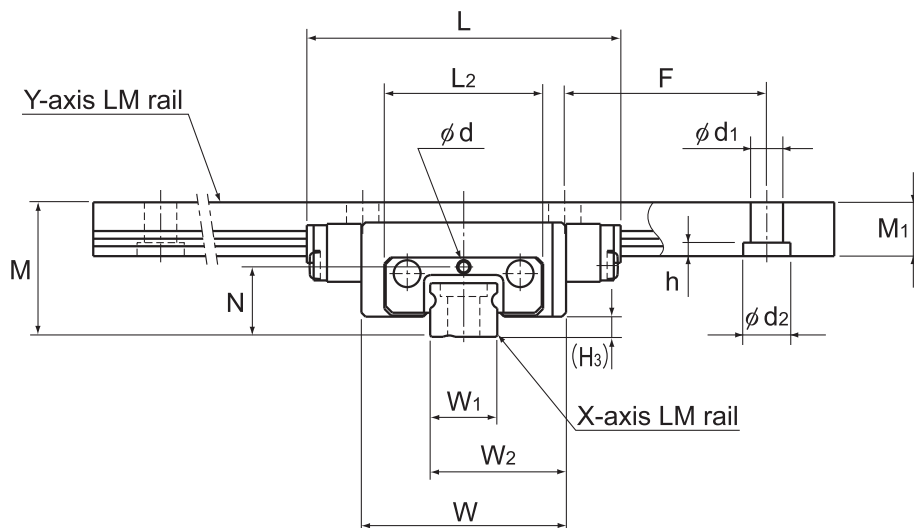
MX is divided into two types: RSR5 cross type and RSR7W cross type.

Specification Table ⇒ **A1-320**



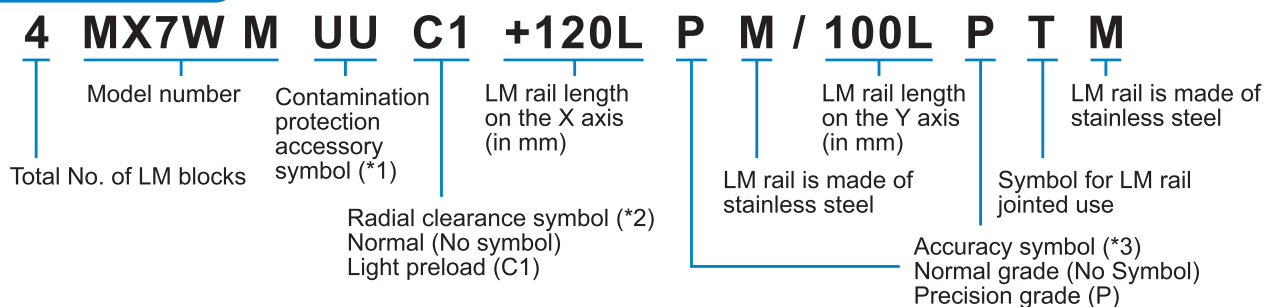
THK A1-319

Model MX



Model No.	Outer dimensions			LM block dimensions			H ₃
	Height M	Width W	Length L	L ₂	N	Greasing hole d	
MX 5M	10	15.2	23.3	11.8	5.2	0.8	1.5
MX 7WM	14.5	30.2	40.8	24.6	7.4	1.2	2

Model number coding



(*1) See contamination protection accessory on **A1-524**. (*2) See **A1-73**. (*3) See **A1-85**.

Note) If the LM rail mount of a semi-standard model is of a tapped-hole LM rail type, add symbol "K" after the accuracy symbol.

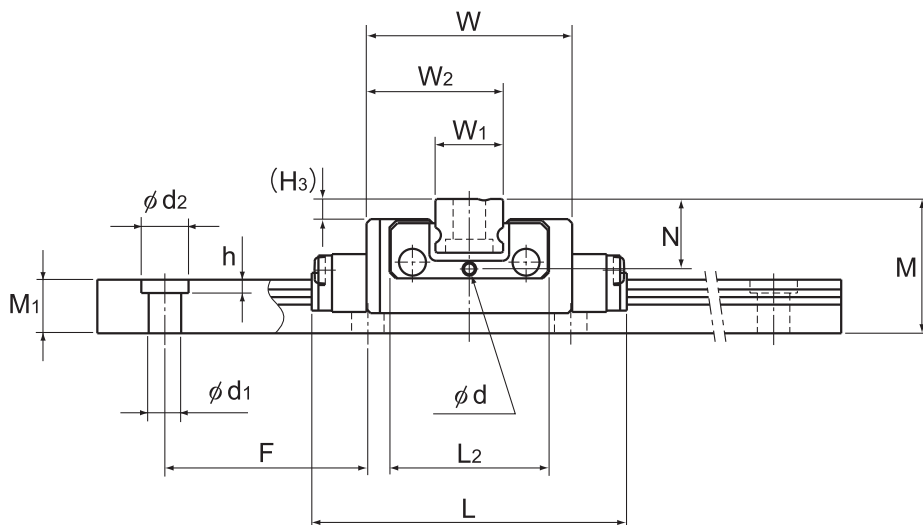
Example: 4 MX7W M UU C1+120L P K M/100L P K T M

_____ Add symbol "K"

A1-320 THK

Download data by searching for the corresponding model number on the Technical Support site.

<https://tech.thk.com>



Unit: mm

	LM rail dimensions						Basic load rating		Static Permissible Moment* N·m		Mass	
	Width W ₁	W ₂	Height M ₁	Pitch F	d ₁ × d ₂ × h	Length* Max	C kN	C ₀ kN	M ₀	M _B	LM block kg	LM rail kg/m
	5 ⁰ _{-0.02}	10.1	4	15	2.4 × 3.5 × 1	200	0.59	1.1	2.57	2.57	0.01	0.14
	14 ⁰ _{-0.025}	22.1	5.2	30	3.5 × 6 × 3.2	400	2.04	3.21	14.7	14.7	0.051	0.51

Note) The maximum length under "Length*" indicates the standard maximum length of an LM rail. (See **A1-322**.)

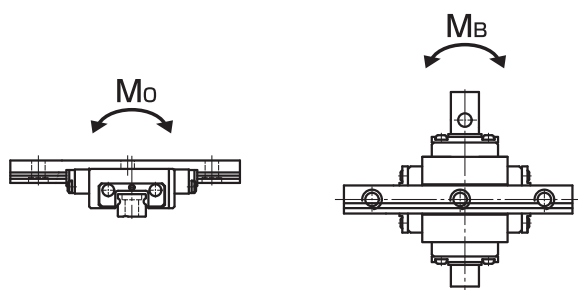
Static permissible moment* 1 block: the static permissible moment with one LM block

Total block length L : The total block length L shown in the table is the length with the dust-proof parts (code: UU).

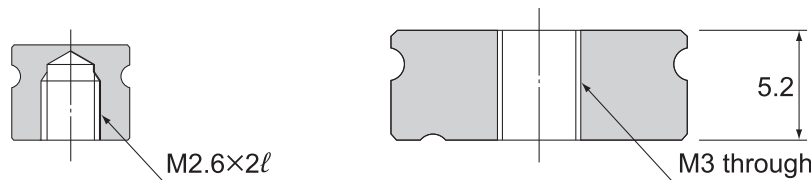
The M in the model number symbol indicates that the LM block, LM rail and balls are made of stainless steel.

The stainless steel provides excellent corrosion and environmental resistance.

Please be aware that balls will fall out if the LM block is removed from the LM rail.



For the LM rail mounting hole, a tapped-hole LM rail type is available as semi-standard.



Model MX5M

Model MX7WM

When mounting the LM rail of model MX7WM, take into account the thread length of the mounting bolt in order not to let the bolt end stick out of the top face of the LM rail.

Options ⇒ **A1-485****THK A1-321**

Standard Length and Maximum Length of the LM Rail

Table1 shows the standard lengths and the maximum lengths of model MX variations.

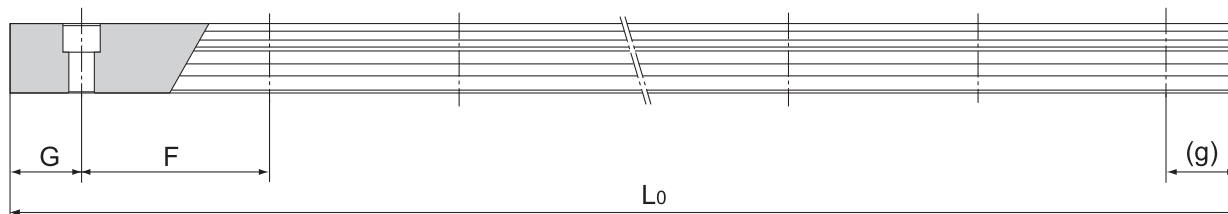


Table1 Standard Length and Maximum Length of the LM Rail for Model MX

Unit: mm

Model No.	MX 5	MX 7W
LM rail standard length (L_0)	40	50
	55	80
	70	110
	100	140
	130	170
	160	200
Standard pitch F	15	30
G,g	5	10
Max length	200	400

Note) The maximum length varies with accuracy grades. Contact THK for details.

A1-322 THK

THK A1-323