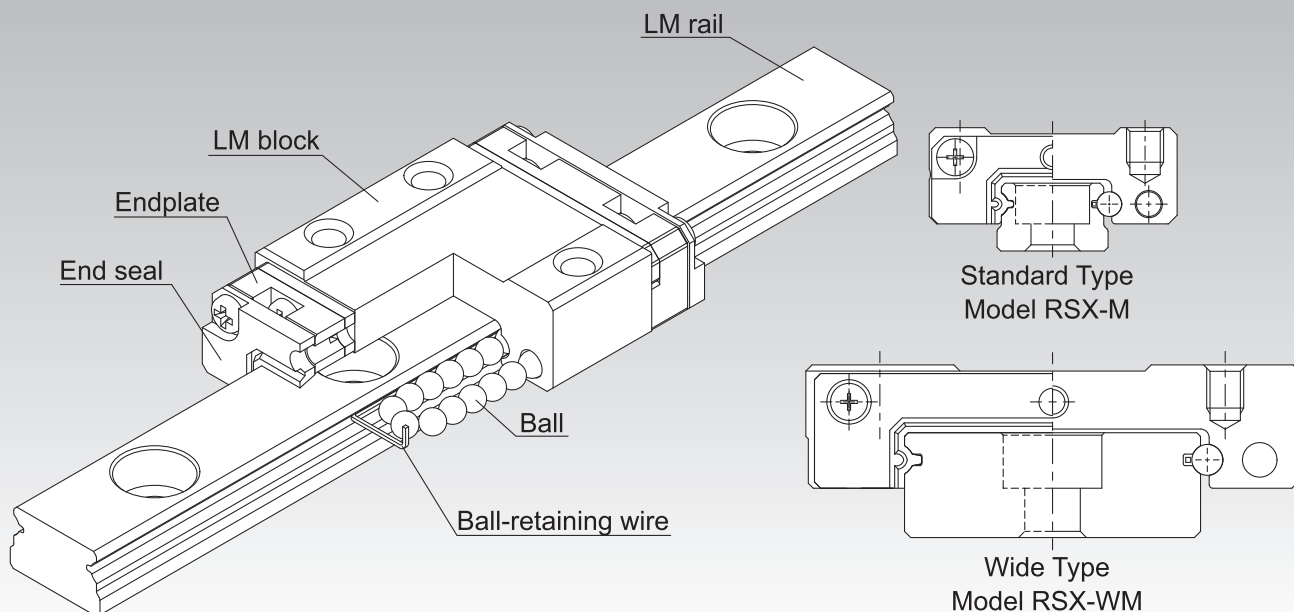


RSX

LM Guide Miniature Type Model RSX



Point of Selection	A1-10
Point of Design	A1-460
Options	A1-485
Model No.	A1-551
Precautions on Use	A1-557
Accessories for Lubrication	A24-1
Mounting Procedure and Maintenance	B1-89
Equivalent Moment Factor	A1-43
Rated Loads in All Directions	A1-60
Equivalent Factor in Each Direction	A1-62
Radial Clearance	A1-72
Accuracy Standards	A1-84
Shoulder Height of the Mounting Base and the Corner Radius	A1-475
Reference Error Tolerance for the Mounting Surface	A1-477
Flatness of the Mounting Surface	A1-478
Dimensions of Each Model with Options Attached	A1-499

A1-254 THK

Structure and Features

With the Model RSX, balls roll in two rows of raceways precision-ground on an LM rail and an LM block, and end plates incorporated in the LM block allow the balls to circulate. The Model RSX uses two rows of raceways, and it can help reduce the size of a device because it has more compact outer dimensions than models with four raceways. Despite being compact, its ball contact structure is capable of receiving loads in all directions, and it can be used individually in locations where moments are applied.

[Ultra Compact]

The Model RSX has one raceway on either side of the LM rail, and its compact design with low cross-sectional height allows it to be installed in locations with limited space.

[Corrosion Prevention]

The Model RSX uses an LM block, LM rail, and balls made of stainless steel, which has high corrosion resistance.

[Retains Balls]

The Model RSX incorporates a ball-retaining wire that prevents balls from falling out when the LM block is removed from the LM rail, making mounting easy.

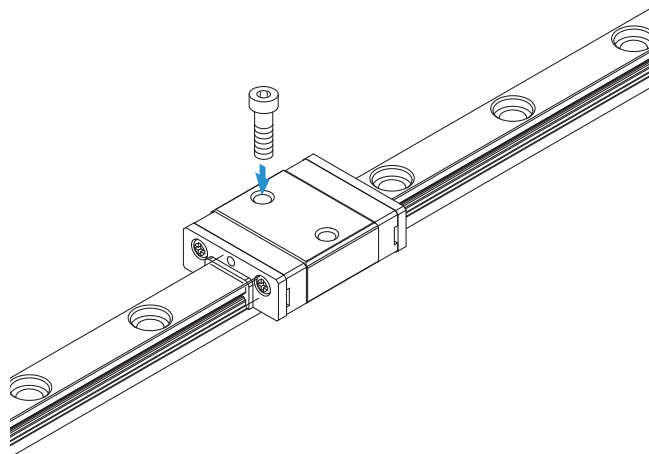
THK **A1-255**

Types and Features

Model RSX5M

Specification Table⇒ **A1-260**

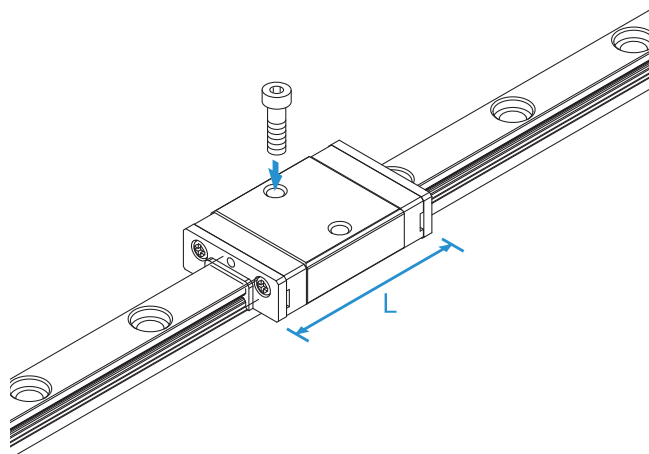
The smallest model of RSX.



Model RSX5NM

Specification Table⇒ **A1-260**

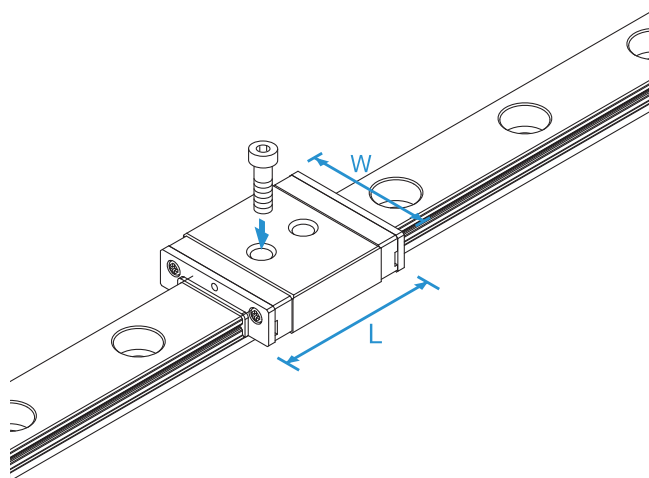
This type has a longer overall LM block length (L) and a larger rated load and permissible moment than the Model RSX5M.



Model RSX5WM

Specification Table⇒ **A1-262**

This type has a longer overall LM block length (L), a greater width, and a larger rated load and permissible moment than the Model RSX5M.

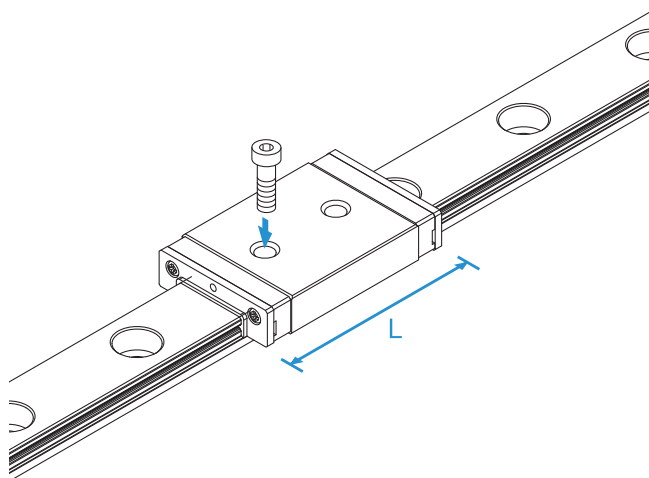


A1-256 THK

Model RSX5WNM

This type has a longer overall LM block length (L) and a larger rated load and permissible moment than the Model RSX5WM.

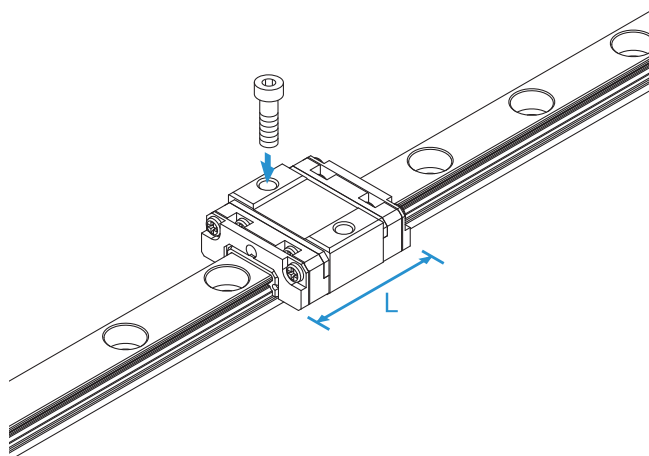
Specification Table⇒ **A1-262**



Model RSX-SM

This type has a shorter overall LM block length (L) than the Model RSX-M.

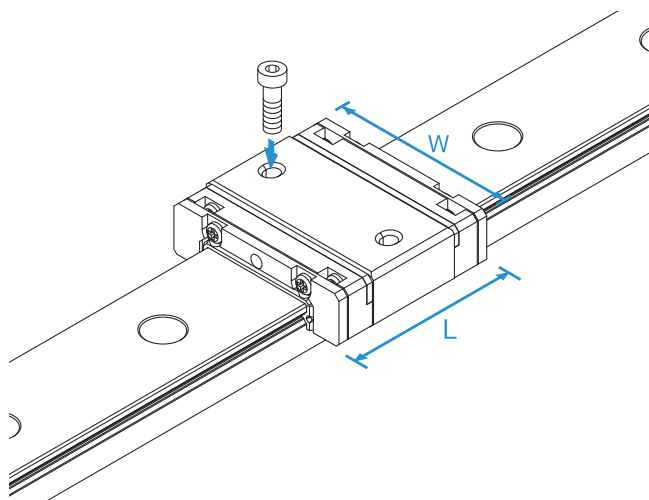
Specification Table⇒ **A1-260**



Model RSX-WSM

This type has a longer overall LM block length (L), a greater width, and a larger rated load and permissible moment than the Model RSX-SM.

Specification Table⇒ **A1-262**

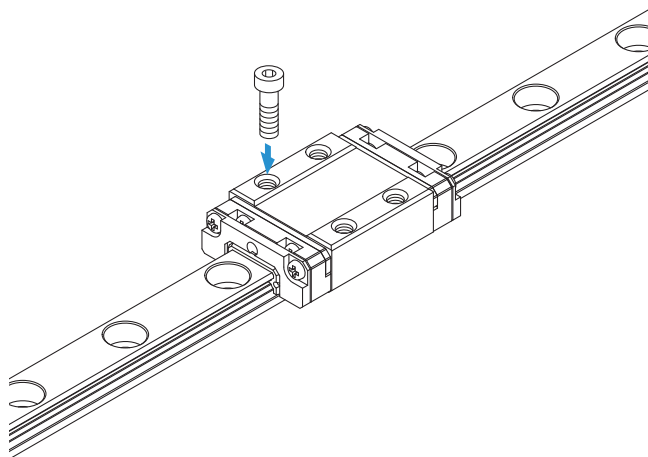


THK **A1-257**

Model RSX-M

A standard type of RSX.

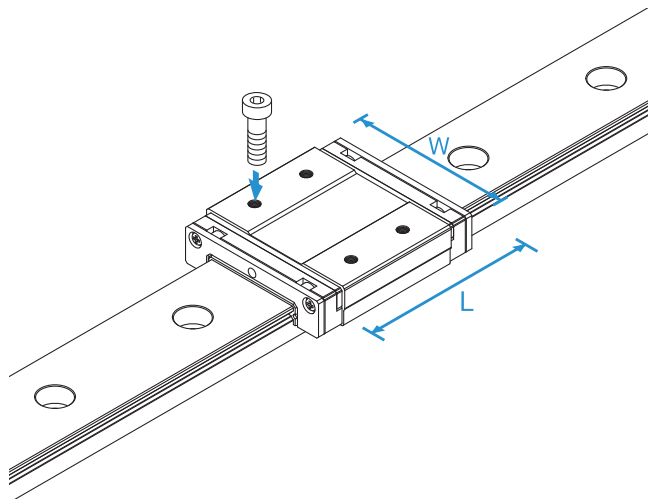
Specification Table⇒ **A1-260**



Model RSX-WM

Has a longer overall LM block length (L), a greater width and a larger rated load and permissible moment than RSX-M.

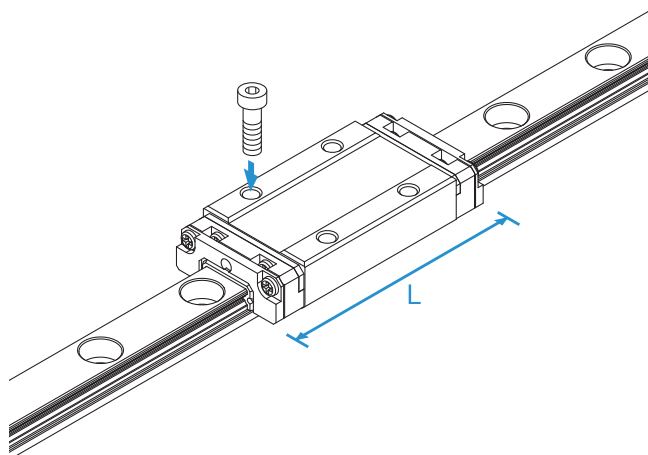
Specification Table⇒ **A1-262**



Model RSX-NM

This type has a longer overall LM block length (L) and a larger rated load and permissible moment than the Model RSX-M.

Specification Table⇒ **A1-260**

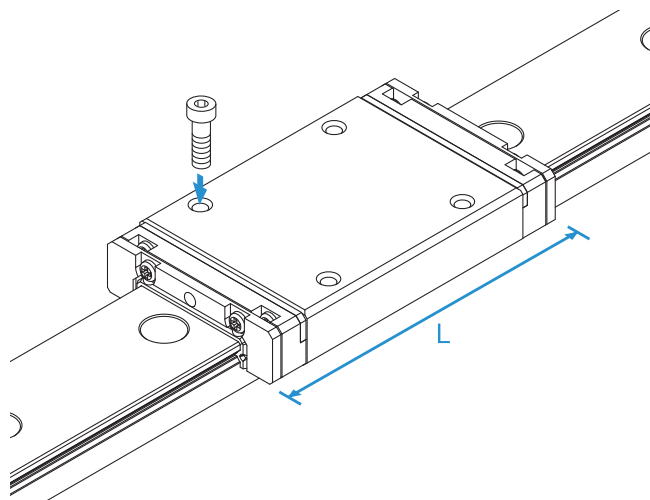


A1-258 THK

Model RSX-WNM

This type has a longer overall LM block length (L) and a larger rated load and permissible moment than the Model RSX-WM.

Specification Table⇒ **A1-262**



Flatness of the LM Rail and the LM Block Mounting Surface

Since the Model RSX has Gothic-arch grooves, any precision errors in the mounting surface may negatively affect its operability. Therefore, we recommend using it on mounting surfaces made with high precision.

Table1 Flatness of the LM Rail and the LM Block Mounting Surface

Unit: mm

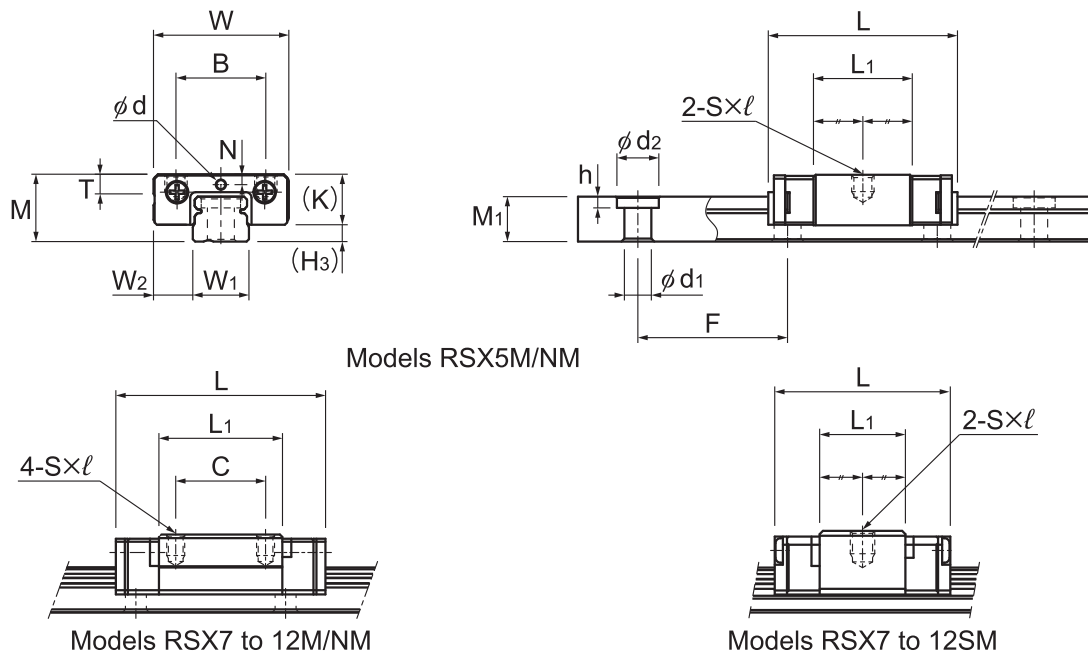
Model No.	Flatness error
RSX 5	0.015/200
RSX 7	0.025/200
RSX 9	0.035/200
RSX 12	0.050/200
RSX 15	0.060/200

Note1) As there are many cases in which the mounting surface precision is affected by a number of factors, we recommend using 70% or less of the values shown.

Note2) The above figures apply to normal clearances. When using two or more rails with C1 clearance, we recommend using 50% or less of the values shown.

THK **A1-259**

Models RSX-SM, RSX-M and RSX-NM



Model No.	Outer dimensions			LM block dimensions										Greasing hole	Grease nipple	H ₃
	Height	Width	Length	B	C	S×l	L ₁	T	K	N	E	d				
	M	W	L													
RSX 5M	6	12	16.9	8	—	M2×1.5	8.8	—	4.5	0.93	—	0.8	—	1.5		
RSX 5NM	6	12	20.1	8	—	M2×1.5	12	—	4.5	0.93	—	0.8	—	1.5		
RSX 7SM	8	17	19	12	—	M2×2.6	9	—	6.5	1.7	—	1.2	—	1.5		
RSX 7M	8	17	23.4	12	8	M2×2.6	13.4	—	6.5	1.7	—	1.2	—	1.5		
RSX 7NM	8	17	31	12	13	M2×2.6	21	—	6.5	1.7	—	1.2	—	1.5		
RSX 9SM	10	20	21.5	15	—	M3×2.8	10.5	—	7.8	2.4	—	1.6	—	2.2		
RSX 9M	10	20	30.8	15	10	M3×2.8	19.8	—	7.8	2.4	—	1.6	—	2.2		
RSX 9NM	10	20	40.8	15	16	M3×2.8	29.8	—	7.8	2.4	—	1.6	—	2.2		
RSX 12SM	13	27	25.6	20	—	M3×3.5	11.2	5.3	10	3	—	2	—	3		
RSX 12M	13	27	35	20	15	M3×3.5	20.6	5.3	10	3	—	2	—	3		
RSX 12NM	13	27	47.7	20	20	M3×3.5	33.3	5.3	10	3	—	2	—	3		
RSX 15SM	16	32	31.9	25	—	M3×4	14.7	5.8	12	3	4	—	PB107	4		
RSX 15M	16	32	42.9	25	20	M3×4	25.7	5.8	12	3	4	—	PB107	4		
RSX 15NM	16	32	60.7	25	25	M3×4	43.5	5.8	12	3	4	—	PB107	4		

Note) Since stainless steel is used in the LM block, LM rail, and balls, these models are highly resistant to corrosion and environment. Using a greasing hole for anything other than greasing may cause damage.

Model number coding

2 RSX12M UU C1 +220L P M - II

Model number Contamination protection accessory symbol (*2) LM rail length (in mm) Stainless steel LM rail Symbol for No. of rails used on the same plane (*5)

No. of LM blocks used on the same rail (*1) Radial clearance symbol (*3) Accuracy symbol (*4)
 Normal (No symbol) Normal grade (No Symbol)/High accuracy grade (H)/Precision grade (P)
 Light preload (C1)

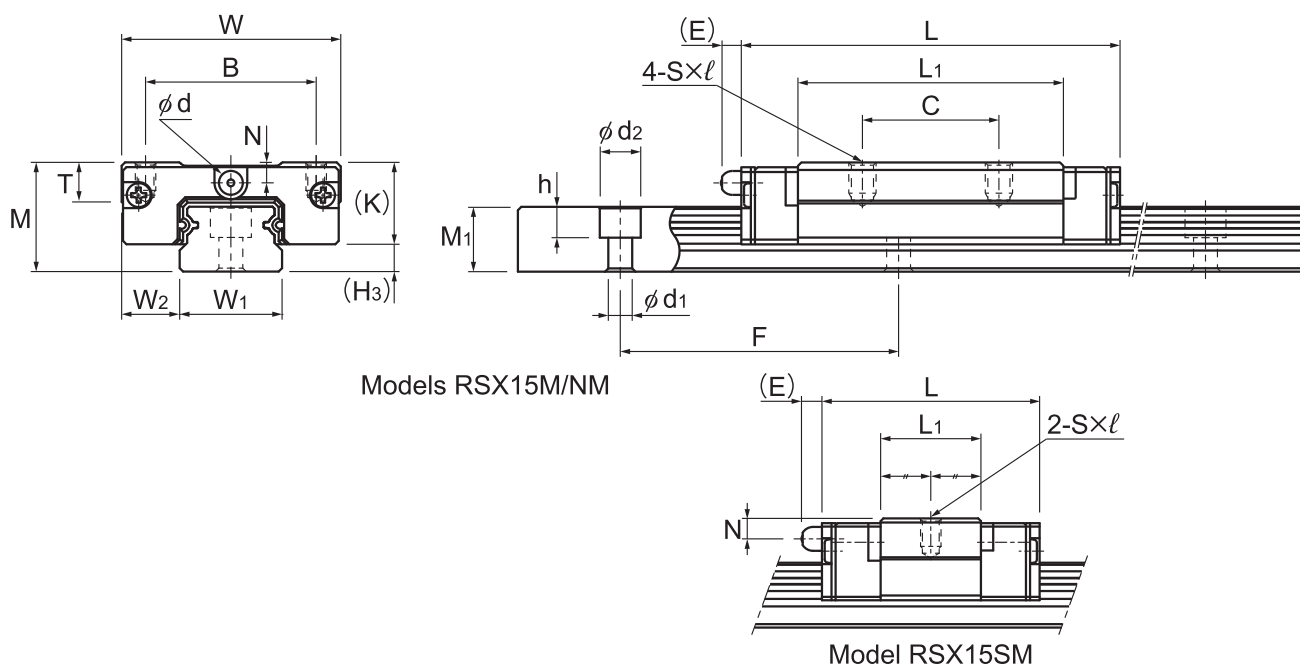
(*1) No symbol for 1 LM block. (*2) See contamination protection accessories on **A1-524**.
 (*3) See **A1-72**. (*4) See **A1-84**. (*5) See **A1-13**.

Note) This model number indicates that a single-rail unit constitutes one set (i.e., the required number of sets when 2 rails are used in parallel is 2 at a minimum).

A1-260 THK

Download data by searching for the corresponding model number on the Technical Support site.

<https://tech.thk.com>



Models RSX15M/NM

Model RSX15SM

Unit: mm

	LM rail dimensions					Basic load rating		Static permissible moment N·m*					Mass		
	Width		Height	Pitch	Length*	C	C ₀	M _A		M _B		M _C	LM block	LM rail	
	W ₁	W ₂	M ₁	F		d ₁ ×d ₂ ×h	kn	kn	1 block	2 blocks	1 block	2 blocks	1 block	kg	kg/m
	5	3.5	4	15	2.4×3.5×1	220	0.37	0.53	0.789	5.79	0.923	6.79	1.38	0.002	0.136
	5	3.5	4	15	2.4×3.5×1	220	0.45	0.7	1.34	8.78	1.56	10.3	1.82	0.003	0.136
	7	5	4.7	15	2.4×4.2×2.3	480	0.95	1.16	1.96	14.7	2.25	16.9	4.49	0.005	0.227
	7	5	4.7	15	2.4×4.2×2.3	480	1.16	1.54	3.27	23.1	3.77	26.7	5.96	0.008	0.227
	7	5	4.7	15	2.4×4.2×2.3	480	1.63	2.51	8.08	48.4	9.32	56	9.71	0.012	0.227
	9	5.5	5.5	20	3.5×6×3.3	1240	1.37	1.53	2.85	22.6	3.27	26	7.04	0.008	0.32
	9	5.5	5.5	20	3.5×6×3.3	1240	2.22	3.06	9.87	57.9	11.4	66.9	14.1	0.018	0.32
	9	5.5	5.5	20	3.5×6×3.3	1240	2.94	4.59	21.1	111	24.4	128	21.1	0.024	0.32
	12	7.5	7.5	25	3.5×6×4.5	2000	2.07	2.1	4.17	38.1	4.17	38.1	13.8	0.015	0.65
	12	7.5	7.5	25	3.5×6×4.5	2000	3.36	4.21	14.2	92.5	14.2	92.5	27.6	0.037	0.65
	12	7.5	7.5	25	3.5×6×4.5	2000	4.72	6.83	34.8	195	34.8	195	44.7	0.047	0.65
	15	8.5	9.5	40	3.5×6×4.5	2000	4.01	4.24	12.6	92.6	12.6	92.6	30.1	0.03	0.96
	15	8.5	9.5	40	3.5×6×4.5	2000	5.59	6.78	29	186	29	186	48.1	0.069	0.96
	15	8.5	9.5	40	3.5×6×4.5	2000	8.27	11.8	82.1	432	82.1	432	84.3	0.089	0.96

Note1) The maximum length under "Length*" indicates the standard maximum length of an LM rail. (See **A1-264**.)

Static permissible moment* 1 block: The static permissible moment with one LM block

2 blocks: Static permissible moment when two LM blocks are in close contact with each other

Total block length L

: The total block length L shown in the table is the length with the dust-proof parts (code: UU).

Note2) The basic load rating in the dimension table is for a load in the radial direction. Use Table7 on **A1-60** to calculate the load rating for loads in the reverse-radial direction or lateral direction.

- Reference bolt tightening torques when mounting an LM block for models RSX 5 and 7 are shown in the table below.

Reference Tightening Torque

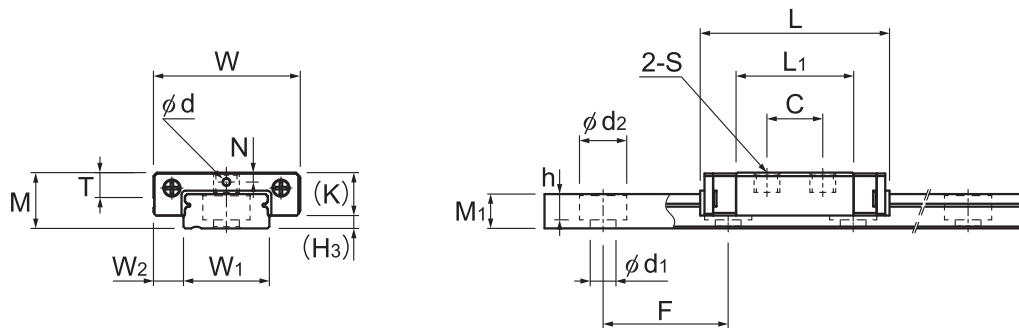
Model No.	Model No. of screw	Screw depth (mm)	Reference tightening torque (N·m)*
RSX 5	M2	1.5	0.4
RSX 7	M2	2.3	0.4

* Tightening above the tightening torque affects accuracy.
Be sure to tighten at or below the defined tightening torque.

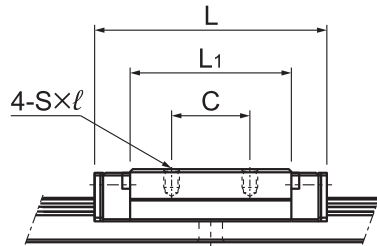
Options⇒ **A1-485**

THK A1-261

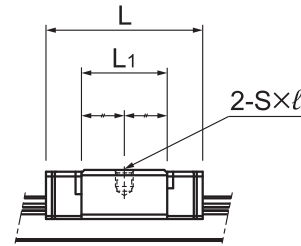
Models RSX-WSM, RSX-WM and RSX-WNM



Models RSX5WM/WNM



Models RSX7 to 12WM/WNM



Models RSX7 to 12WSM

Model No.	Outer dimensions			LM block dimensions										H ₃
	Height M	Width W	Length L	B	C	S × l	L ₁	T	K	N	E	Greasing hole d	Grease nipple	
RSX 5WM	6.5	17	22.1	—	6.5	M3 through	13.7	—	5	1.1	—	0.8	—	1.5
RSX 5WNM	6.5	17	28.1	—	11	M3 through	19.7	—	5	1.1	—	0.8	—	1.5
RSX 7WSM	9	25	22.5	19	—	M3 × 2.8	11.9	—	7	1.8	—	1.2	—	2
RSX 7WM	9	25	31	19	10	M3 × 2.8	20.4	—	7	1.8	—	1.2	—	2
RSX 7WNM	9	25	40.9	19	17	M3 × 2.8	30.3	—	7	1.8	—	1.2	—	2
RSX 9WSM	12	30	26.5	21	—	M3 × 2.8	14.5	—	8.3	2.3	—	1.6	—	3.7
RSX 9WM	12	30	39	21	12	M3 × 2.8	27	—	8.3	2.3	—	1.6	—	3.7
RSX 9WNM	12	30	50.7	23	24	M3 × 2.8	38.7	—	8.3	2.3	—	1.6	—	3.7
RSX 12WSM	14	40	30.5	28	—	M3 × 3.5	16.9	4.5	10	3	—	2	—	4
RSX 12WM	14	40	44.5	28	15	M3 × 3.5	30.9	4.5	10	3	—	2	—	4
RSX 12WNM	14	40	59.5	28	28	M3 × 3.5	45.9	4.5	10	3	—	2	—	4
RSX 15WSM	16	60	41.5	45	—	M4 × 4.5	24.9	5.6	12	3	4	—	PB107	4
RSX 15WM	16	60	55.5	45	20	M4 × 4.5	38.9	5.6	12	3	4	—	PB107	4
RSX 15WNM	16	60	74.5	45	35	M4 × 4.5	57.9	5.6	12	3	4	—	PB107	4

Note) Since stainless steel is used in the LM block, LM rail, and balls, these models are highly resistant to corrosion and environment. Using a greasing hole for anything other than greasing may cause damage.

Model number coding

2 RSX12WM UU C1 +220L P M - II

2: No. of LM blocks used on the same rail (*1)
 RSX12WM: Model number
 UU: Contamination protection accessory symbol (*2)
 C1: Radial clearance symbol (*3)
 +220L: LM rail length (in mm)
 P: Accuracy symbol (*4)
 M: Stainless steel LM rail
 - II: Symbol for No. of rails used on the same plane (*5)

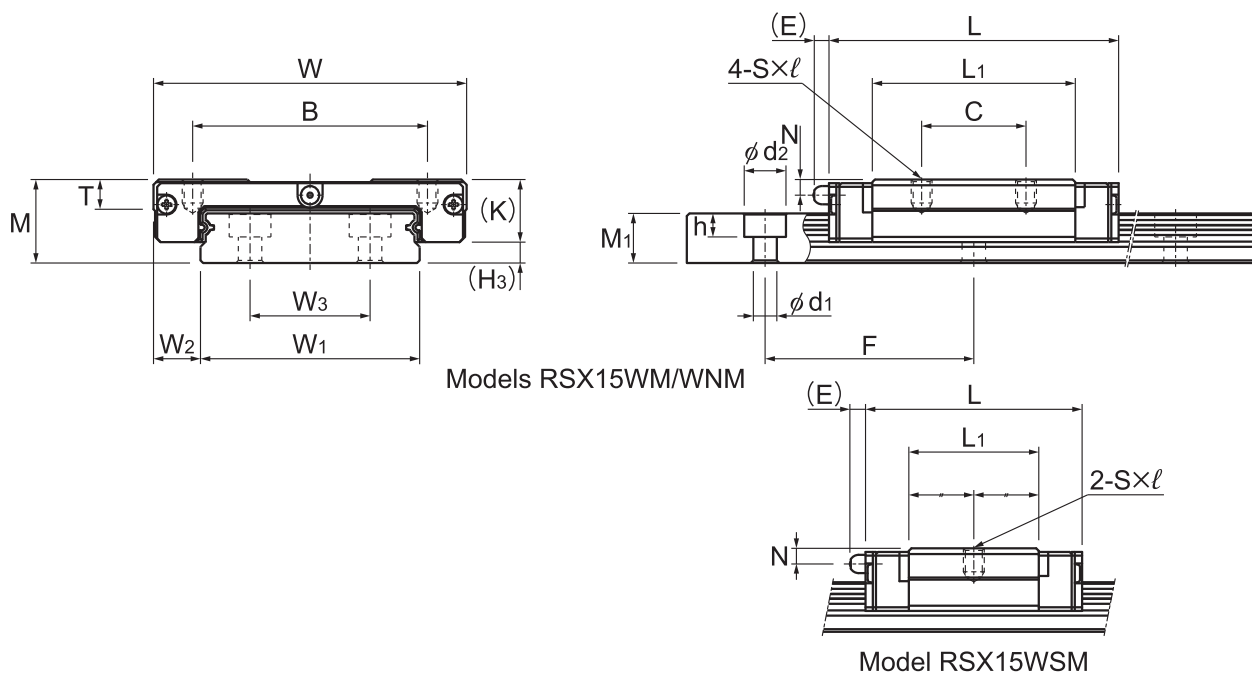
(*1) No symbol for 1 LM block. (*2) See contamination protection accessories on **A1-524**. (*3) See **A1-72**. (*4) See **A1-84**. (*5) See **A1-13**.

Note) This model number indicates that a single-rail unit constitutes one set (i.e., the required number of sets when 2 rails are used in parallel is 2 at a minimum).

A1-262 THK

Download data by searching for the corresponding model number on the Technical Support site.

<https://tech.thk.com>



Unit: mm

	LM rail dimensions							Basic load rating		Static permissible moment N·m*					Mass		
	Width	Pitch	Height	Length*	C	C ₀	d ₁ × d ₂ × h	Max	kN	kN	M _A		M _B		M _C	LM block	LM rail
											1 block	2 blocks	1 block	2 blocks			
	10	3.5	—	4	20	3 × 5.5 × 3	220	0.5	0.82	1.79	11.1	2.1	13	4.18	0.006	0.276	
	10	3.5	—	4	20	3 × 5.5 × 3	220	0.64	1.17	3.54	19.6	4.15	23	5.97	0.008	0.276	
	14	5.5	—	5.2	30	3.5 × 6 × 3.2	480	1.06	1.35	2.58	20	2.96	23.1	9.95	0.011	0.54	
	14	5.5	—	5.2	30	3.5 × 6 × 3.2	480	1.63	2.51	8.08	46.9	9.32	54.2	18.5	0.018	0.54	
	14	5.5	—	5.2	30	3.5 × 6 × 3.2	480	2.12	3.66	16.6	87.7	19.2	101	27	0.027	0.54	
	18	6	—	7.5	30	3.5 × 6 × 4.5	1430	1.73	2.14	5.15	36.9	5.92	42.6	20.2	0.018	1.01	
	18	6	—	7.5	30	3.5 × 6 × 4.5	1430	2.8	4.28	18.5	99.3	21.4	115	40.5	0.035	1.01	
	18	6	—	7.5	30	3.5 × 6 × 4.5	1430	3.48	5.81	33.2	172	38.3	199	54.9	0.048	1.01	
	24	8	—	8.5	40	4.5 × 8 × 4.5	2000	3.05	3.68	11.1	72.6	11.1	72.6	46.2	0.033	1.52	
	24	8	—	8.5	40	4.5 × 8 × 4.5	2000	4.46	6.31	30	171	30	171	79.2	0.075	1.52	
	24	8	—	8.5	40	4.5 × 8 × 4.5	2000	5.93	9.46	64.7	332	64.7	332	119	0.091	1.52	
	42	9	23	9.5	40	4.5 × 8 × 4.5	2000	5.59	6.78	29	178	29	178	140	0.083	2.87	
	42	9	23	9.5	40	4.5 × 8 × 4.5	2000	7.43	10.1	61.4	343	61.4	343	211	0.17	2.87	
	42	9	23	9.5	40	4.5 × 8 × 4.5	2000	9.87	15.2	133	670	133	670	316	0.195	2.87	

Note1) The maximum length under "Length*" indicates the standard maximum length of an LM rail. (See **A1-264**.)

Static permissible moment* 1 block: The static permissible moment with one LM block

2 blocks: Static permissible moment when two LM blocks are in close contact with each other

Total block length L : The total block length L shown in the table is the length with the dust-proof parts (code: UU).

Note2) The basic load rating in the dimension table is for a load in the radial direction. Use Table7 on **A1-60** to calculate the load rating for loads in the reverse-radial direction or lateral direction.

- Reference bolt tightening torques when mounting an LM block for models RSX 5W and 7W are shown in the table below.

Reference Tightening Torque

Model No.	Model No. of screw	Screw depth (mm)	Reference tightening torque (N·m)*
RSX 5W	M2	1.5	0.4
RSX 7W	M2	2.8	0.4

* Tightening above the tightening torque affects accuracy.
Be sure to tighten at or below the defined tightening torque.

Options ⇒ **A1-485**

THK A1-263

Standard Length and Maximum Length of the LM Rail

Table2 shows the standard lengths and the maximum lengths of model RSX variations. If the maximum length of the desired LM rail exceeds them, jointed rails will be used. Contact THK for details. For special rail lengths, it is recommended to use a value corresponding to the G,g dimension from the table. As the G,g dimension increases, this portion becomes less stable, and the accuracy performance is severely impacted.

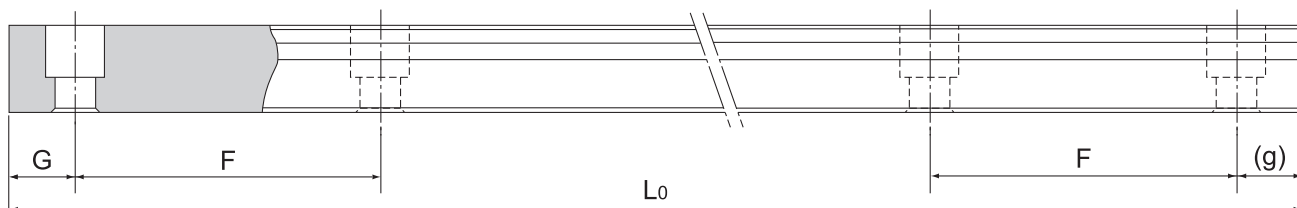


Table2 Standard Length and Maximum Length of the LM Rail for Model RSX

Unit: mm

Model No.	RSX 5	RSX 5W	RSX 7	RSX 7W	RSX 9	RSX 9W	RSX 12	RSX 12W	RSX 15	RSX 15W
LM rail standard length (L_0)	40	50	40	50	55	50	70	70	70	110
	55	70	55	80	75	80	95	110	110	150
	70	90	70	110	95	110	120	150	150	190
	100	110	85	140	115	140	145	190	190	230
	130	130	100	170	135	170	170	230	230	270
	160	150	115	200	155	200	195	270	270	310
		170	130	260	175	260	220	310	310	430
				290	195	290	245	390	350	550
					275	320	270	470	390	670
					375		320	550	430	790
						370		470		
						470		550		
						570		670		
								870		
Standard pitch F	15	20	15	30	20	30	25	40	40	40
G,g	5	5	5	10	7.5	10	10	15	15	15
Max length	220	220	480	480	1240	1430	2000	2000	2000	2000

Note1) The maximum length varies with accuracy grades. Contact THK for details.

Note2) If jointed rails are not allowed and a greater length than the maximum values above is required, contact THK.

A1-264 THK

THK A1-265