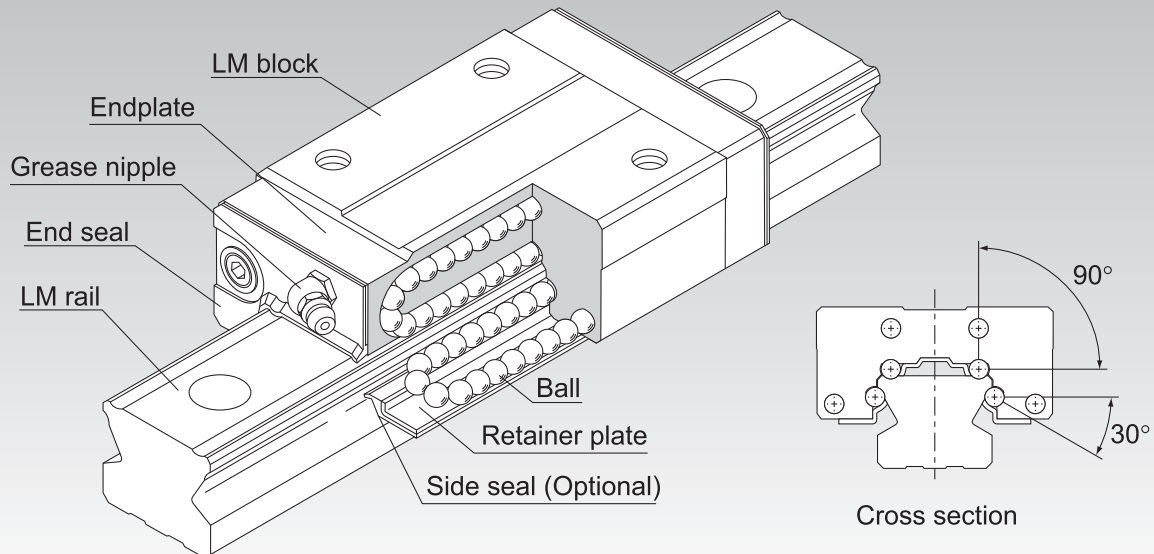


# SR

## LM Guide Radial Type Model SR



<b>Point of Selection</b>	<b>A1-10</b>
<b>Point of Design</b>	<b>A1-460</b>
<b>Options</b>	<b>A1-485</b>
<b>Model No.</b>	<b>A1-551</b>
<b>Precautions on Use</b>	<b>A1-557</b>
<b>Accessories for Lubrication</b>	<b>A24-1</b>
<b>Mounting Procedure and Maintenance</b>	<b>B1-89</b>
Equivalent Moment Factor	<b>A1-43</b>
Rated Loads in All Directions	<b>A1-60</b>
Equivalent Factor in Each Direction	<b>A1-62</b>
Radial Clearance	<b>A1-73</b>
Accuracy Standards	<b>A1-78</b>
Shoulder Height of the Mounting Base and the Corner Radius	<b>A1-469</b>
Reference Error Tolerance for the Mounting Surface	<b>A1-476</b>
Dimensions of Each Model with Options Attached	<b>A1-499</b>

**A1-212 THK**

## Structure and Features

Balls roll in four rows of raceways precision-ground on an LM rail and an LM block, and endplates incorporated in the LM block allow the balls to circulate. Since a retainer plate holds the balls, they will not fall off even if the LM block is removed from the LM rail. With the low sectional height and the high rigidity design of the LM block, this model achieves highly accurate and stable straight motion.

### [Compact, Heavy Load]

Since it is a compact designed model that has a low sectional height and a ball contact structure rigid in the radial direction, this model is optimal for horizontal guide units.

### [Mounting accuracy can easily be achieved]

Since this model is a self-adjusting type capable of easily absorbing an accuracy error in parallelism and level between two rails, highly accurate and smooth motion can be achieved.

### [Low Noise]

The endplate installed at each end of the LM block is designed to ensure the smooth and low-noise circulation of the balls at the turning areas.

### [High Durability]

Even under a preload or excessive biased load, differential slip of balls is minimal. As a result, high wear resistance and long-term maintenance of accuracy are achieved.

### [Stainless Steel Type also Available]

A special type which LM block, LM rail and balls are made of stainless steel is also available.

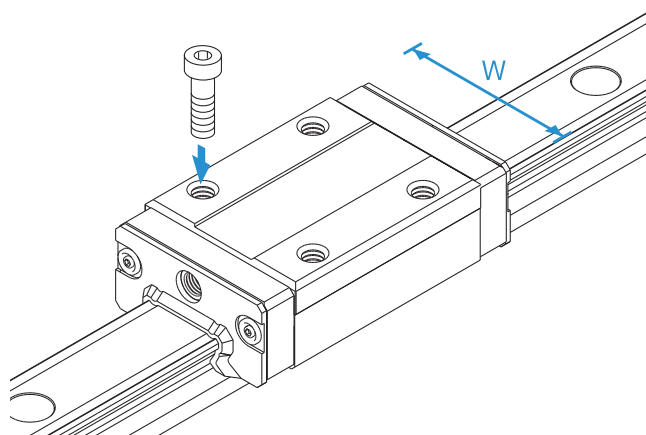
**THK** **A1-213**

## Types and Features

### Models SR-W/T

Specification Table⇒ **A1-218**

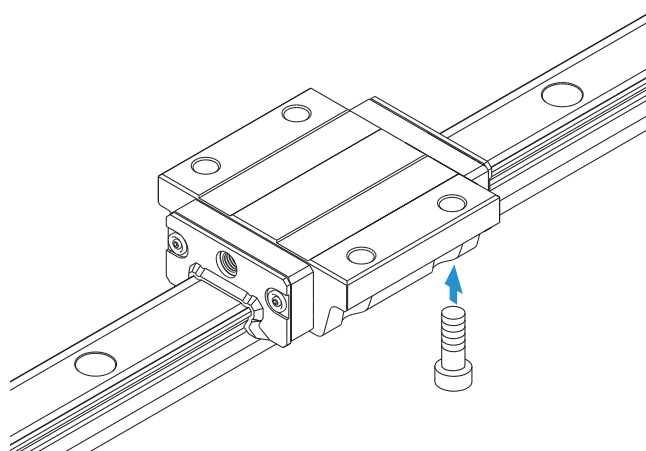
With this type, the LM block has a smaller width (W) and tapped holes.



### Model SR-TB

Specification Table⇒ **A1-220**

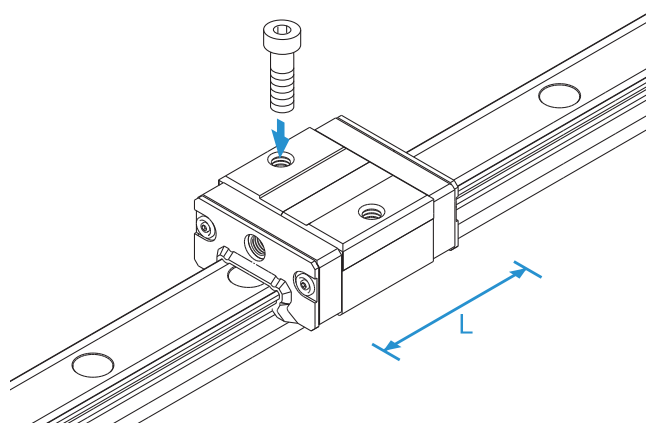
The LM block has the same height as model SR-W and can be mounted from the bottom.



### Model SR-V

Specification Table⇒ **A1-218**

A space-saving type whose LM block has the same cross-sectional shape as model SR-W, but has a smaller overall LM block length (L).

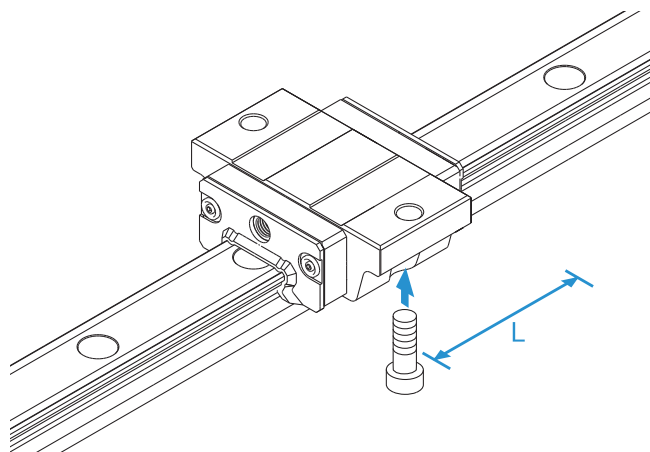


**A1-214 THK**

## Model SR-SB

A space-saving type whose LM block has the same cross-sectional shape as model SR-TB, but has a smaller overall LM block length (L).

Specification Table⇒ **A1-220**



LM Guide

**THK** **A1-215**

## Characteristics of Model SR

When compared to models having a contact angle of  $45^\circ$ , model SR shows excellent characteristics as indicated below. Using these characteristics, you can design and manufacture highly accurate and highly rigid machines or equipment.

### Difference in Rated Load and Service Life

Since SR has a contact angle of  $90^\circ$ , its rated load and service life are different from those with a contact angle of  $45^\circ$ . When comparing model SR with a model that has a contact angle of  $45^\circ$  and when the same radial load is applied to the two models with the same ball diameter as shown in the figure below, the load applied to SR is 70% of the other model. As a result, the service life of SR is more than twice that of the other model.

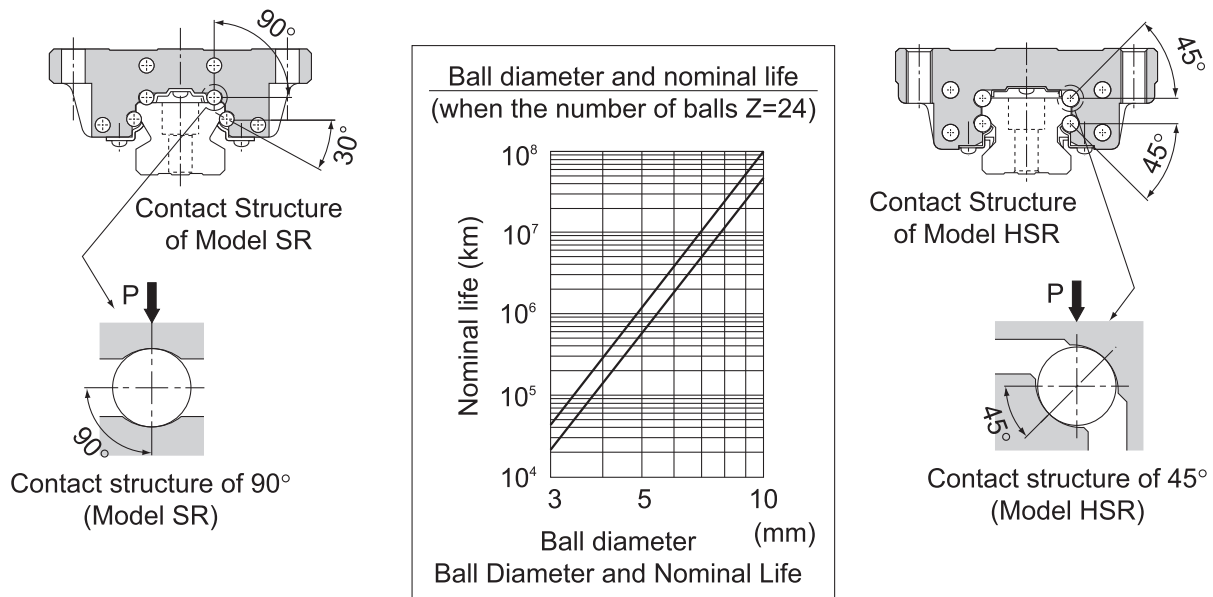


Fig.1

### Difference in Accuracy

If a machining error (grinding error) occurs in the LM rail or LM block, it will affect the running accuracy. Assuming that there is a machining error of  $\Delta$  on the raceway, it results in an error in the radial direction, and the error with the contact angle of  $45^\circ$  (model HSR) is 1.4 times greater than that of the contact angle of  $90^\circ$  (model SR). As for the machining error resulting in horizontal direction error, the error with the contact angle of  $45^\circ$  is 1.22 times greater than the contact angle of  $30^\circ$ .

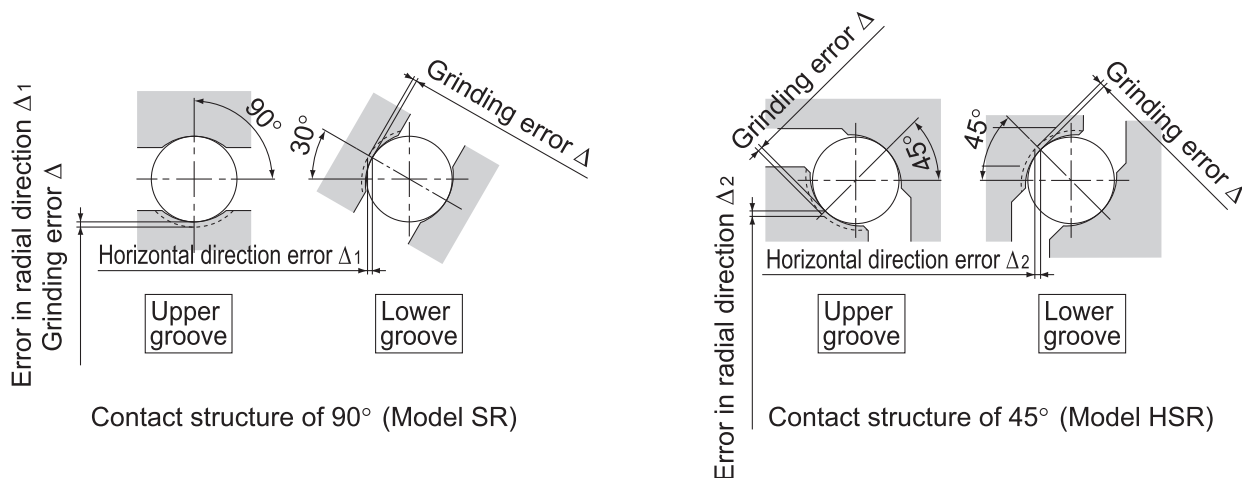


Fig.2 Machining Error and Accuracy

**A1-216 THK**

### Difference in Rigidity

The 90° contact angle adopted by model SR has a difference with the 45° contact angle also in rigidity. When the same radial load “P” is applied, the displacement in the radial direction with model SR is only 56% of that with the contact angle of 45°. Accordingly, where high rigidity in the radial direction is required, model SR is more advantageous. The figure below shows the difference in radial load and displacement.

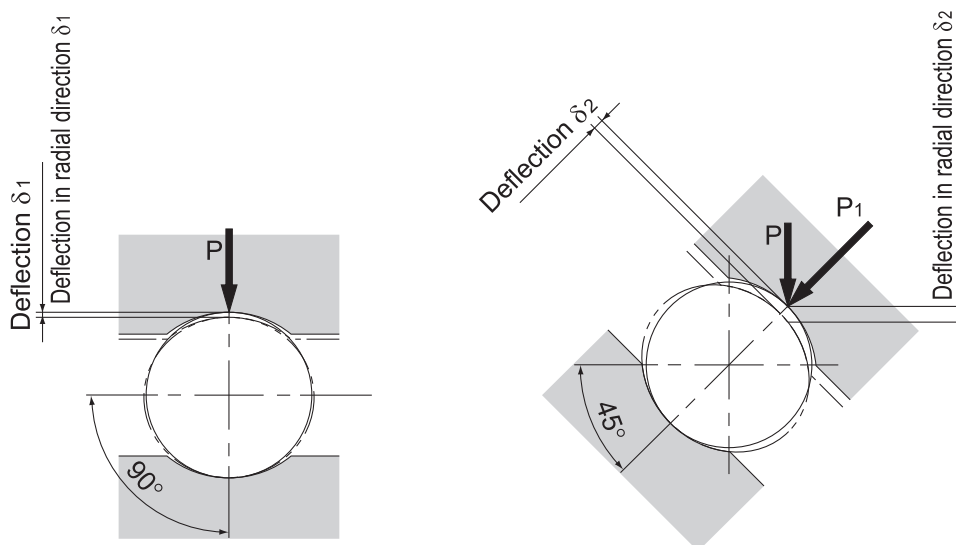


Fig.3 Deflection under a Radial Load

Load and deflection when contact angles are not the same ( $D_a=6.35\text{mm}$ )  
(deflection per ball)

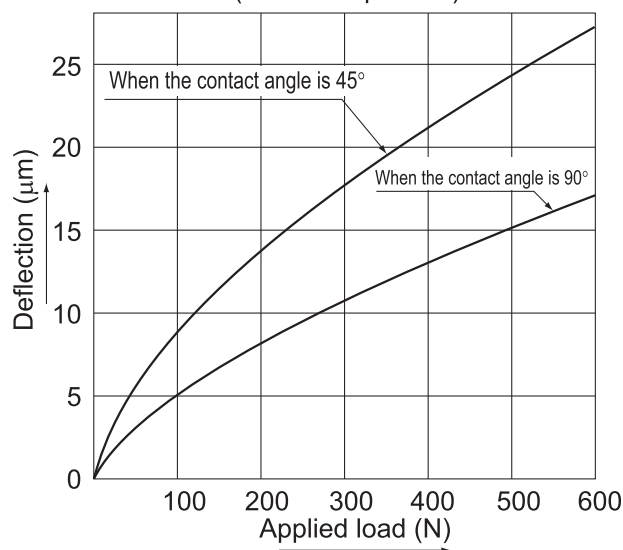


Fig.4 Radial Load and Deflection

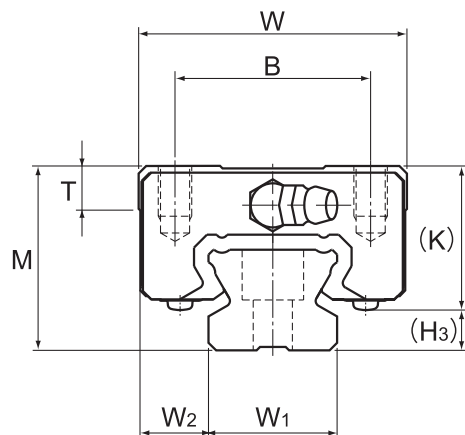
### Conclusion

Model SR with this type of 90° contact construction are ideal for locations where the load applied is mostly radial, locations where radial rigidity is required, and locations where accurate motion is demanded in the up, down, left and right directions.

However, if the reverse radial load, the lateral load or the moment is large, we recommend model HSR, which has a contact angle of 45° (4-way equal load).

THK A1-217

## Models SR-W, SR-WM, SR-V, SR-VM and SR-T



Model No.	Outer dimensions			LM block dimensions									Grease nipple	H <sub>3</sub>
	Height	Width	Length	B	C	S×l	L <sub>1</sub>	T	K	N	E			
	M	W	L	B	C	S×l	L <sub>1</sub>	T	K	N	E			
SR 15V/VM SR 15W/WM	24	34	40.4 57	26	— 26	M4×7	22.9 39.5	5.7	18.2	6	5.5	PB1021B	5.8	
SR 20V/VM SR 20W/WM	28	42	47.3 66.2	32	— 32	M5×8	27.8 46.7	7.2	22	6	12	B-M6F	6	
SR 25V/VM SR 25W/WM	33	48	59.2 83	35	— 35	M6×9	35.2 59	7.7	26	7	12	B-M6F	7	
SR 30V/VM SR 30W/WM	42	60	67.9 96.8	40	— 40	M8×12	40.4 69.3	8.5	32.5	8	12	B-M6F	9.5	
SR 35V/VM SR 35W/WM	48	70	77.6 111	50	— 50	M8×12	45.7 79	12.5	36.5	8.5	12	B-M6F	11.5	
SR 45W	60	86	126	60	60	M10×15	90.5	15	47.5	11.5	16	B-PT1/8	12.5	
SR 55W	68	100	156	75	75	M12×20	117	16.7	54.5	12	16	B-PT1/8	13.5	
SR 70T	85	126	194.6	90	90	M16×25	147.6	24.5	70	12	16	B-PT1/8	15	
SR 85T	110	156	180	100	80	M18×30	130	25.5	91.5	27	12	A-PT1/8	18.5	
SR 100T	120	178	200	120	100	M20×35	150	29.5	101	32	12	A-PT1/8	19	
SR 120T	110	205	235	160	120	M20×35	180	24	95	14	13.5	B-PT1/4	15	
SR 150T	135	250	280	200	160	M20×35	215	24	113	17	13.5	B-PT1/4	22	

### Model number coding

**SR25 W 2 UU C0 M +1240L Y P T M - II**

Model number	Type of LM block	Contamination protection accessory symbol (*1)	Stainless steel LM block	LM rail length (in mm)	Applied to only 15 and 25	Stainless steel LM rail	Symbol for No. of rails used on the same plane (*4)
	No. of LM blocks used on the same rail	Radial clearance symbol (*2) Normal (No symbol) Light preload (C1) Medium preload (C0)				Symbol for LM rail jointed use	
					Accuracy symbol (*3) Normal grade (No Symbol)/High accuracy grade (H) Precision grade (P)/Super precision grade (SP) Ultra precision grade (UP)		

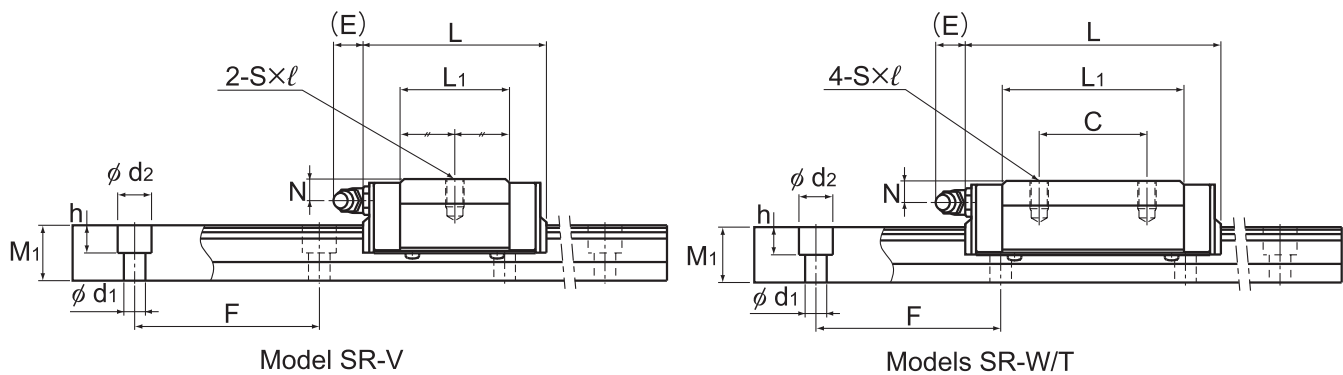
(\*1) See contamination protection accessory on **A1-524**. (\*2) See **A1-73**. (\*3) See **A1-78**. (\*4) See **A1-13**.

Note) This model number indicates that a single-rail unit constitutes one set. (i.e., required number of sets when 2 rails are used in parallel is 2 at a minimum.)

**A1-218 THK**

Download data by searching for the corresponding model number on the Technical Support site.

<https://tech.thk.com>



Unit: mm

	LM rail dimensions						Basic load rating		Static permissible moment kN·m*					Mass	
	Width	Height	Pitch	Length*	C	C <sub>0</sub>	M <sub>A</sub>		M <sub>B</sub>		M <sub>C</sub>	LM block	LM rail		
	W <sub>1</sub> ±0.05						W <sub>2</sub>	M <sub>1</sub>	F	d <sub>1</sub> × d <sub>2</sub> × h	Max			kN	kN
	15	9.5	12.5	60	3.5 × 6 × 4.5	(1240) 3000	9.1 13.8	11.7 20.5	0.0344 0.0984	0.234 0.551	0.0215 0.0604	0.149 0.343	0.0694 0.122	0.12 0.2	1.2
	20	11	15.5	60	6 × 9.5 × 8.5	(1480) 3000	13.4 19.2	17.2 28.6	0.064 0.167	0.396 0.887	0.0397 0.102	0.25 0.55	0.135 0.224	0.2 0.3	2.1
	23	12.5	18	60	7 × 11 × 9	(2020) 3000	21.6 30.9	26.8 44.7	0.125 0.326	0.773 1.74	0.0774 0.2	0.488 1.08	0.245 0.408	0.3 0.4	2.7
	28	16	23	80	7 × 11 × 9	(2520) 3000	29.5 45.6	34.4 64.4	0.173 0.564	1.15 2.92	0.108 0.346	0.735 1.8	0.376 0.703	0.5 0.8	4.3
	34	18	27.5	80	9 × 14 × 12	(2520) 3000	40.9 60.4	46.7 81.8	0.275 0.785	1.79 4.27	0.171 0.482	1.14 2.65	0.615 1.08	0.8 1.2	6.4
	45	20.5	35.5	105	11 × 17.5 × 14	3000	80.4	107	1.17	6.34	0.721	3.94	1.89	2.2	11.3
	48	26	38	120	14 × 20 × 17	3000	136	179	2.61	13	1.6	8.05	3.33	3.6	12.8
	70	28	47	150	18 × 26 × 22	3000	226	282	5.03	25.7	3.09	15.9	7.47	7	22.8
	85	35.5	65.5	180	18 × 26 × 22	3000	120	224	2.54	15.1	1.25	7.47	5.74	10.1	34.9
	100	39	70.3	210	22 × 32 × 25	3000	148	283	3.95	20.9	1.95	10.3	8.55	14.1	46.4
	114	45.5	65	230	26 × 39 × 30	3000	279	377	5.83	32.9	2.87	16.2	13.7	—	—
	144	53	77	250	33 × 48 × 36	3000	411	537	9.98	55.8	4.92	27.5	24.3	—	—

Note1) The maximum length under "Length\*" indicates the standard maximum length of an LM rail. (See **A1-222**.)

Static permissible moment\* 1 block: the static permissible moment with one LM block

Double blocks: static permissible moment when two LM blocks are in close contact with each other

Total block length L : The total block length L shown in the table is the length with the dust proof parts, code UU or SS.

If other contamination protection accessories or lubricant equipment are installed, the total block length will increase.

(See **A1-499** or **A1-520**)

The M in the model number indicates that the LM block, LM rail and balls are made of stainless steel.

The stainless steel provides excellent corrosion and environmental resistance.

Models SR85T, 100T, 120T and 150T are built to order.

Models SR85T and 100T include a grease nipple on the side face of the LM block. Contact THK for details.

Note2) For models SR15 and 25, two types of rails with different mounting hole dimensions are offered (see Table1).

When, replacing this model with model SSR, pay attention to the mounting hole dimension of the LM rail.

Contact THK for details.

Note3) The basic load rating in the dimension table is for a load in the radial direction. Use Table7 on **A1-60** to calculate the load rating for loads in the reverse radial direction or lateral direction.

Table1 The dimension of the rail mounting hole

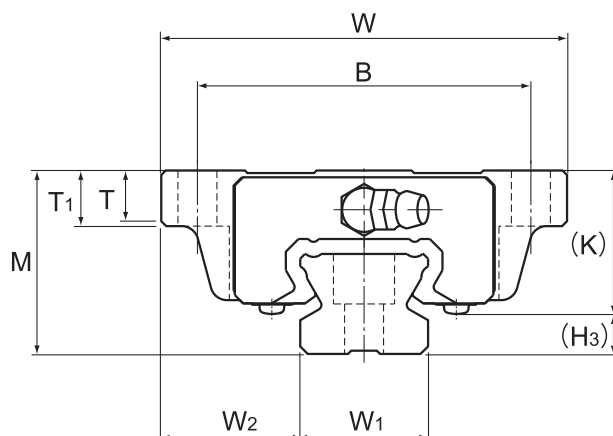
Model No.	Standard rail	Semi-Standard rail
SR 15	For M3 (No symbol)	For M4 (Symbol Y)
SR 25	For M6 (Symbol Y)	For M5 (No symbol)

Options ⇒ **A1-485**

**THK A1-219**



# Models SR-TB, SR-TBM, SR-SB and SR-SBM



Model No.	Outer dimensions			LM block dimensions										Grease nipple	H <sub>3</sub>
	Height	Width	Length	B	C	H	L <sub>1</sub>	T	T <sub>1</sub>	K	N	E			
	M	W	L												
SR 15SB/SBM SR 15TB/TBM	24	52	40.4 57	41	— 26	4.5	22.9 39.5	6.1	7	18.2	6	5.5	PB1021B	5.8	
SR 20SB/SBM SR 20TB/TBM	28	59	47.3 66.2	49	— 32	5.5	27.8 46.7	8	9	22	6	12	B-M6F	6	
SR 25SB/SBM SR 25TB/TBM	33	73	59.2 83	60	— 35	7	35.2 59	9.1	10	26	7	12	B-M6F	7	
SR 30SB/SBM SR 30TB/TBM	42	90	67.9 96.8	72	— 40	9	40.4 69.3	8.7	10	32.5	8	12	B-M6F	9.5	
SR 35SB/SBM SR 35TB/TBM	48	100	77.6 111	82	— 50	9	45.7 79	11.2	13	36.5	8.5	12	B-M6F	11.5	
SR 45TB	60	120	126	100	60	11	90.5	12.8	15	47.5	11.5	16	B-PT1/8	12.5	
SR 55TB	68	140	156	116	75	14	117	15.3	17	54.5	12	16	B-PT1/8	13.5	

## Model number coding

**SR25 TB 2 UU C1 +1200L Y H T - II**

Model number

Type of LM block

Contamination protection accessory symbol (\*1)

LM rail length (in mm)

Applied to only 15 and 25

Symbol for LM rail jointed use

Symbol for No. of rails used on the same plane (\*4)

No. of LM blocks used on the same rail

Radial clearance symbol (\*2)  
Normal (No symbol)  
Light preload (C1)  
Medium preload (C0)

Accuracy symbol (\*3)  
Normal grade (No Symbol)/High accuracy grade (H)  
Precision grade (P)/Super precision grade (SP)  
Ultra precision grade (UP)

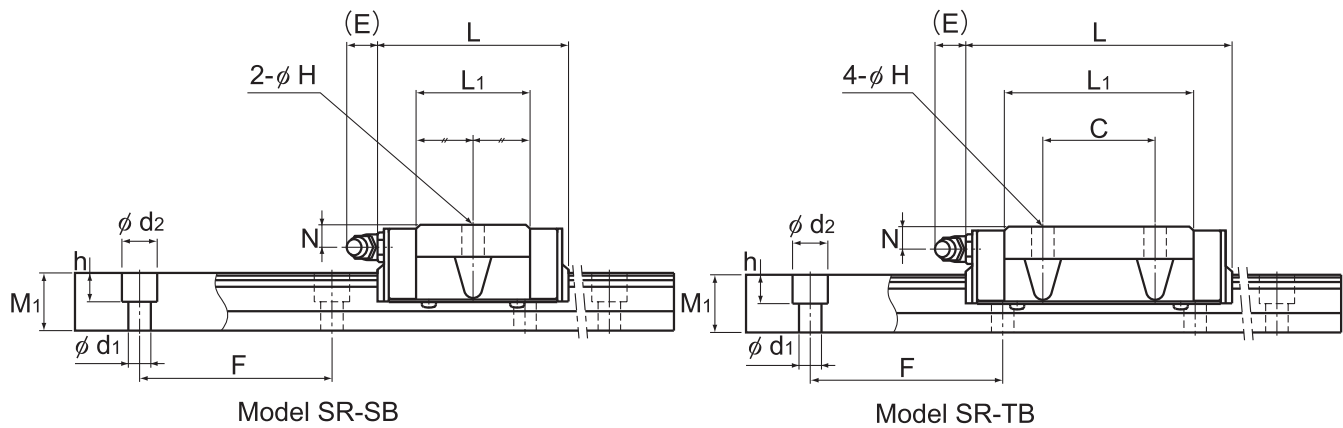
(\*1) See contamination protection accessory on **A1-524**. (\*2) See **A1-73**. (\*3) See **A1-78**. (\*4) See **A1-13**.

Note) This model number indicates that a single-rail unit constitutes one set. (i.e., required number of sets when 2 rails are used in parallel is 2 at a minimum.)

**A1-220 THK**

Download data by searching for the corresponding model number on the Technical Support site.

<https://tech.thk.com>



Unit: mm

	LM rail dimensions						Basic load rating		Static permissible moment kN·m*					Mass	
	Width		Height	Pitch		Length*	C	C <sub>0</sub>	M <sub>A</sub>		M <sub>B</sub>		M <sub>C</sub>	LM block	LM rail
	W <sub>1</sub> ±0.05	W <sub>2</sub>	M <sub>1</sub>	F	d <sub>1</sub> ×d <sub>2</sub> ×h	Max	kN	kN	1 block	Double blocks	1 block	Double blocks	1 block	kg	kg/m
	15	18.5	12.5	60	3.5×6×4.5	(1240) 3000	9.1 13.8	11.7 20.5	0.0344 0.0984	0.234 0.551	0.0215 0.0604	0.149 0.343	0.0694 0.122	0.15 0.2	1.2
	20	19.5	15.5	60	6×9.5×8.5	(1480) 3000	13.4 19.2	17.2 28.6	0.064 0.167	0.396 0.887	0.0397 0.102	0.25 0.55	0.135 0.224	0.3 0.4	2.1
	23	25	18	60	7×11×9	(2020) 3000	21.6 30.9	26.8 44.7	0.125 0.326	0.773 1.74	0.0774 0.2	0.488 1.08	0.245 0.408	0.4 0.6	2.7
	28	31	23	80	7×11×9	(2520) 3000	29.5 45.6	34.4 64.4	0.173 0.564	1.15 2.92	0.108 0.346	0.735 1.8	0.376 0.703	0.8 1.1	4.3
	34	33	27.5	80	9×14×12	(2520) 3000	40.9 60.4	46.7 81.8	0.275 0.785	1.79 4.27	0.171 0.482	1.14 2.65	0.615 1.08	1 1.5	6.4
	45	37.5	35.5	105	11×17.5×14	3000	80.4	107	1.17	6.34	0.721	3.94	1.89	2.5	11.3
	48	46	38	120	14×20×17	3000	136	179	2.61	13	1.6	8.05	3.33	4.2	12.8

Note1) The maximum length under "Length\*" indicates the standard maximum length of an LM rail. (See **A1-222**.)

Static permissible moment\* 1 block: the static permissible moment with one LM block

Double blocks: static permissible moment when two LM blocks are in close contact with each other

Total block length L

: The total block length L shown in the table is the length with the dust proof parts, code UU or SS. If other contamination protection accessories or lubricant equipment are installed, the total block length will increase.

(See **A1-499** or **A1-520**)

The M in the model number symbol indicates that the LM block, LM rail and balls are made of stainless steel.

The stainless steel provides excellent corrosion and environmental resistance.

Note2) For models SR15 and 25, two types of rails with different mounting hole dimensions are offered (see Table1).

When, replacing this model with model SSR, pay attention to the mounting hole dimension of the LM rail.

Contact THK for details.

Note3) The basic load rating in the dimension table is for a load in the radial direction. Use Table7 on **A1-60** to calculate the load rating for loads in the reverse radial direction or lateral direction.

Table1 The dimension of the rail mounting hole

Model No.	Standard rail	Semi-Standard rail
SR 15	For M3 (No symbol)	For M4 (Symbol Y)
SR 25	For M6 (Symbol Y)	For M5 (No symbol)

Options⇒ **A1-485**

**THK A1-221**

## Standard Length and Maximum Length of the LM Rail

Table1 shows the standard lengths and the maximum lengths of model SR variations. If the maximum length of the desired LM rail exceeds them, jointed rails will be used. Contact THK for details. For special rail lengths, it is recommended to use a value corresponding to the G,g dimension from the table. As the G,g dimension increases, this portion becomes less stable, and the accuracy performance is severely impacted.

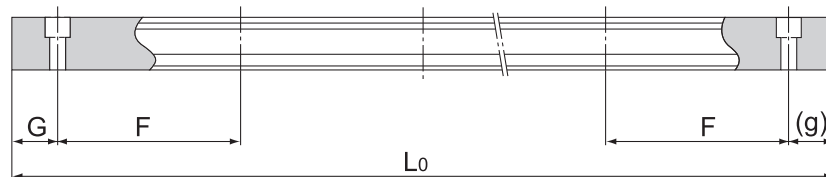


Table1 Standard Length and Maximum Length of the LM Rail for Model SR

Unit: mm

Model No.	SR 15	SR 20	SR 25	SR 30	SR 35	SR 45	SR 55	SR 70	SR 85	SR 100	SR 120	SR 150	
LM rail standard length (L <sub>0</sub> )	160	220	220	280	280	570	780	1270	1520	1550	1700	1600	
	220	280	280	360	360	675	900	1570	2060	1970	2390	2100	
	280	340	340	440	440	780	1020	2020	2600	2600			
	340	400	400	520	520	885	1140	2620					
	400	460	460	600	600	990	1260						
	460	520	520	680	680	1095	1380						
	520	580	580	760	760	1200	1500						
	580	640	640	840	840	1305	1740						
	640	700	700	920	920	1410	1860						
	700	760	760	1000	1000	1515	1980						
	760	820	820	1080	1080	1725	2100						
	820	940	940	1160	1160	1830	2220						
	940	1000	1000	1240	1240	1935	2340						
	1000	1060	1060	1320	1320	2040	2460						
	1060	1120	1120	1400	1400	2145	2580						
	1120	1180	1180	1480	1480	2250	2700						
	1180	1240	1240	1640	1640	2355	2820						
	1240	1300	1300	1720	1720	2460	2940						
	1300	1360	1360	1800	1800	2565							
	1360	1420	1420	1880	1880	2670							
	1420	1480	1480	1960	1960	2775							
	1480	1540	1540	2040	2040	2880							
	1540	1600	1600	2120	2120	2985							
		1660	1660	2200	2200								
		1720	1720	2280	2280								
		1780	1780	2360	2360								
		1840	1840	2440	2440								
		1900	1900	2520	2520								
	1960	1960	2600	2600									
	2020	2020	2680	2680									
	2080	2080	2760	2760									
	2140	2140	2840	2840									
			2200	2920	2920								
			2260										
			2320										
			2380										
			2440										
Standard pitch F	60	60	60	80	80	105	120	150	180	210	230	250	
G,g	20	20	20	20	20	22.5	30	35	40	40	45	50	
Max length	3000 (1240)	3000 (1480)	3000 (2020)	3000 (2520)	3000 (2520)	3000	3000	3000	3000	3000	3000	3000	

Note1) The maximum length varies with accuracy grades. Contact THK for details.

Note2) If jointed rails are not allowed and a greater length than the maximum values above is required, contact THK.

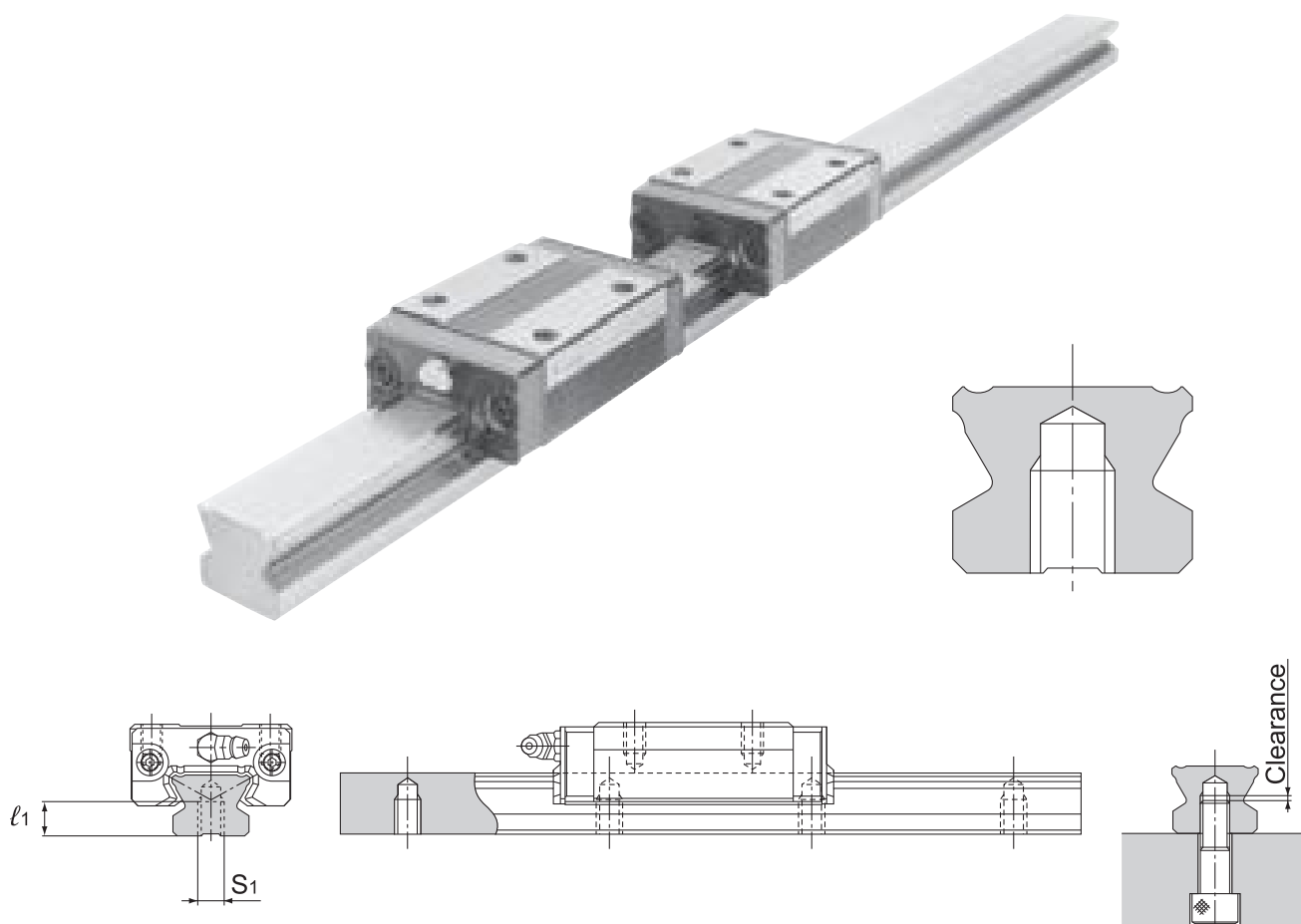
Note3) Those model numbers including and greater than SR85T are semi-standard models. If desiring these models, contact THK.

Note4) The figures in the parentheses indicate the maximum lengths of stainless steel made models.

**A1-222 THK**

## Tapped-hole LM Rail Type of Model SR

SR model rails also include a type where the LM rail is tapped from the bottom. This type is useful when mounting from the bottom of the base and when increased contamination protection is desired.



- (1) A tapped-hole LM rail type is available only for high accuracy or lower grades.
- (2) Determine the bolt length so that a clearance of 2 to 5 mm is secured between the bolt end and the bottom of the tap (effective tap depth). (See figure above.)
- (3) For standard pitches of the taps, see Table1 on **A1-222**.

Table2 Dimensions of the LM Rail Tap Unit: mm

Model No.	S <sub>1</sub>	Effective tap depth $l_1$
SR 15	M5	7
SR 20	M6	9
SR 25	M6	10
SR 30	M8	14
SR 35	M8	16
SR 45	M12	20
SR 55	M14	22

### Model number coding

**SR30 W2UU +1000LH K**

Symbol for  
tapped-hole LM rail type

**THK A1-223**