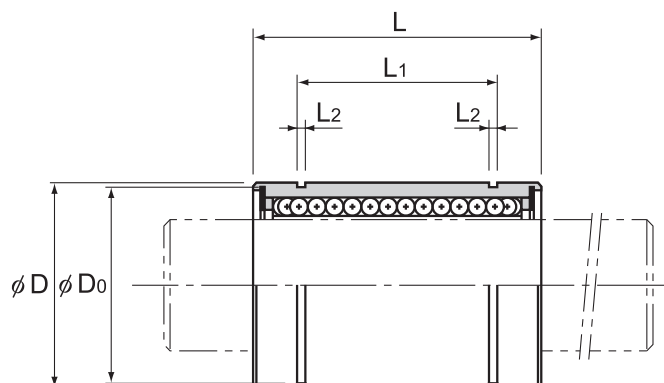


# Model LME



Model No.			Ball rows	Main						
Standard type	Clearance-adjustable type	Open type		Inscribed bore diameter		Outer diameter		Length		
				dr	Tolerance	D	Tolerance	L	Tolerance	
LME 5	LME 5-AJ	—	4	5	+0.008 0	12	0	22	0 -0.2	
LME 8	LME 8-AJ	—	4	8		16	-0.008	25		
LME 12	LME 12-AJ	—	4	12		22	0	32		
LME 16	LME 16-AJ	LME 16-OP	5	16	+0.009	26	-0.009	36		
LME 20	LME 20-AJ	LME 20-OP	5	20	-0.001	32	0 -0.011	45		
LME 25	LME 25-AJ	LME 25-OP	6	25	+0.011	40		58		
LME 30	LME 30-AJ	LME 30-OP	6	30	-0.001	47	0 -0.013 -0.002	68	0	
LME 40	LME 40-AJ	LME 40-OP	6	40	+0.013 -0.002	62		0	80	-0.3
LME 50	LME 50-AJ	LME 50-OP	6	50		75		-0.013	100	
LME 60	LME 60-AJ	LME 60-OP	6	60	+0.016 -0.004	90	0 -0.015	125	0	
LME 80GA	LME 80GA-AJ	LME 80GA-OP	6	80		120		165	-0.4	

Note) Since Linear Bushing models LME60 or smaller models are incorporated with a synthetic resin retainer, do not use them at temperature exceeding 80°C.

If the ambient temperature exceeds 80°C, use the type equipped with a metal retainer and indicate "A" at the end of the model number.

(Example) LME20G A

High temperature symbol

If requiring a type equipped with a seal, indicate it when placing an order. (seal heat resistance: 80°C.)

(Example) LME16 UU

Seal attached on both ends of the nut

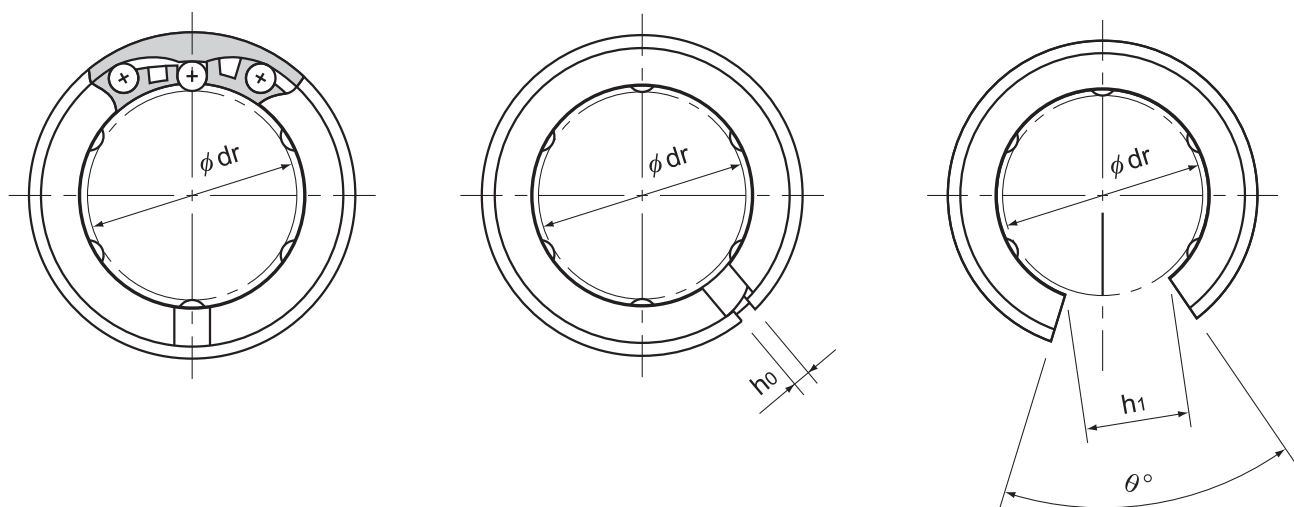
For the clearance-adjustable type (-AJ) and open type (-OP), the inscribed bore diameter tolerance, the outer diameter tolerance, and the eccentricity indicate the values before the division of the nut.

**A4-48**

**THK**

Download data by searching for the corresponding model number on the Technical Support site.

<https://tech.thk.com>



Model LME

Model LME-AJ

Model LME-OP

Unit: mm

dimensions								Eccentricity (max) $\mu\text{m}$	Radial clearance tolerance $\mu\text{m}$	Basic load rating		Mass g
$L_1$	Tolerance	$L_2$	$D_0$	$h_0$	$h_1$	$\theta^\circ$	C N			$C_0$ N		
14.5	0 -0.2	1.1	11.5	1	—	—	12	-5	206	265	11.4	
16.5		1.1	15.2	1	—	—	12	-5	265	402	18.5	
22.9		1.3	21	1.5	7.5	78	12	-7	510	775	37	
24.9		1.3	24.9	1.5	10	78	12	-7	775	1180	52	
31.5		1.6	30.3	2	10	60	15	-9	863	1370	89	
44.1	0 -0.3	1.85	37.5	2	12.5	60	15	-9	980	1570	203	
52.1		1.85	44.5	2	12.5	50	15	-9	1570	2750	306	
60.6		2.15	59	3	16.8	50	17	-13	2160	4020	673	
77.6		2.65	72	3	21	50	17	-13	3820	7940	1025	
101.7	0 -0.4	3.15	86.5	3	27.2	54	20	-16	4710	10000	1914	
133.7		4.15	116	3	36.3	54	20	-16	7350	16000	4800	

Note) If a metal retainer is used, the Linear Bushing has the shape as shown below.

When using the Linear Bushing on a single shaft, use two or more units (instead of one unit) on the same shaft to avoid a moment load, and secure a large distance between the units.

If an oil hole is required, this can be indicated by appending "OH" to the end of the model number.

For further information, contact THK.



Model LME-GA

Options⇒ **A4-119****THK** **A4-49**