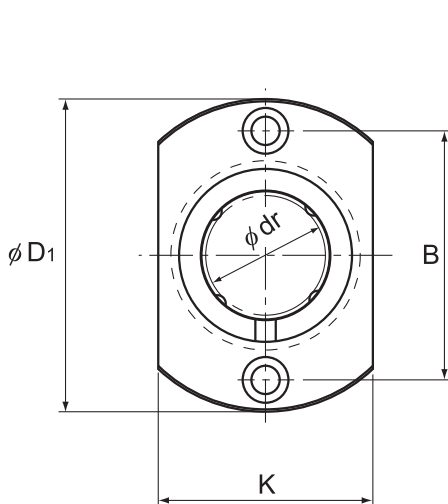
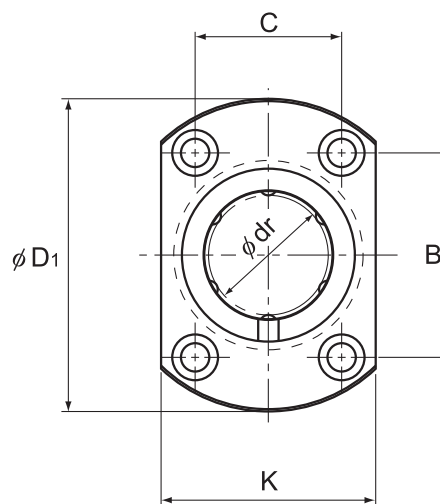


Model LMH



Models LMH6 to 13



Models LMH16 to 30

Model No.	Ball rows	Main dimensions							
		Inscribed bore diameter		Outer diameter		Length		Flange diameter	
		dr	Tolerance	D	Tolerance	L	Tolerance	D ₁	Tolerance
LMH 6	4	6	0 -0.009	12	0 -0.011	19	0 -0.2	28	0 -0.2
LMH 8S	4	8		15		17		32	
LMH 8	4	8		15		24		32	
LMH 10	4	10		19	29	39			
LMH 12	4	12		21	30	42			
LMH 13	4	13		23	32	43			
LMH 16	5	16	28	37	48				
LMH 20	5	20	0 -0.010	32	0 -0.016	42	54		
LMH 25	6	25		40		59	62		
LMH 30	6	30		45	64	74			

Note) Since this model contains a synthetic resin retainer, do not use it at temperature exceeding 80°C.
If requiring a type equipped with a seal, indicate it when placing an order.

(Example) LMH16 UU

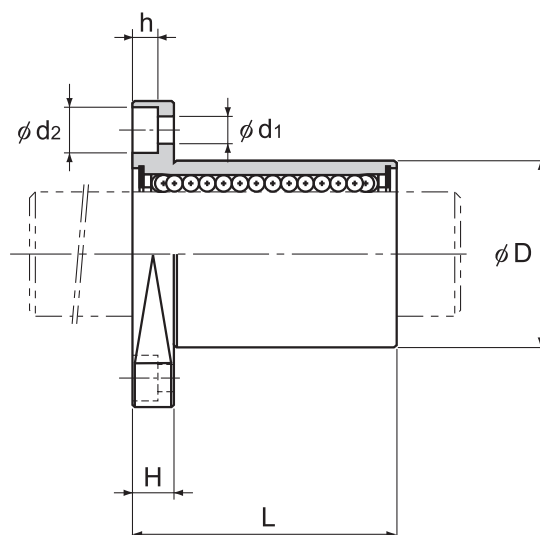
Seal attached on both ends of the nut

A4-72

THK

Download data by searching for the corresponding model number on the Technical Support site.

<https://tech.thk.com>



Unit: mm

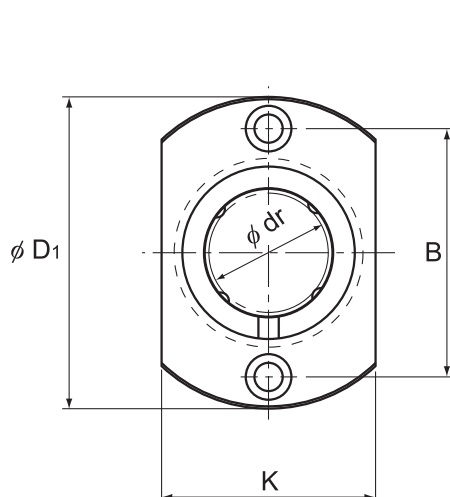
	K	H	B	C	Mounting hole $d_1 \times d_2 \times h$	Flange perpendicularity μm	Eccentricity (max) μm	Radial clearance tolerance μm	Basic load rating		Mass g
									C N	C_0 N	
	18	5	20	—	$3.4 \times 6.5 \times 3.3$	12	12	-5	206	265	20
	21	5	24	—	$3.4 \times 6.5 \times 3.3$	12	12	-5	176	225	24
	21	5	24	—	$3.4 \times 6.5 \times 3.3$	12	12	-5	265	402	28
	25	6	29	—	$4.5 \times 8 \times 4.4$	12	12	-5	373	549	50
	27	6	32	—	$4.5 \times 8 \times 4.4$	12	12	-5	412	598	56
	29	6	33	—	$4.5 \times 8 \times 4.4$	12	12	-7	510	775	69
	34	6	31	22	$4.5 \times 8 \times 4.4$	12	12	-7	775	1180	111
	38	8	36	24	$5.5 \times 9.2 \times 5.4$	15	15	-9	863	1370	140
	46	8	40	32	$5.5 \times 9.2 \times 5.4$	15	15	-9	980	1570	279
	51	10	49	35	$6.6 \times 11 \times 6.5$	15	15	-9	1570	2750	351

Note) If an oil hole is required, this can be indicated by appending "OH" to the end of the model number.
For further information, contact THK.

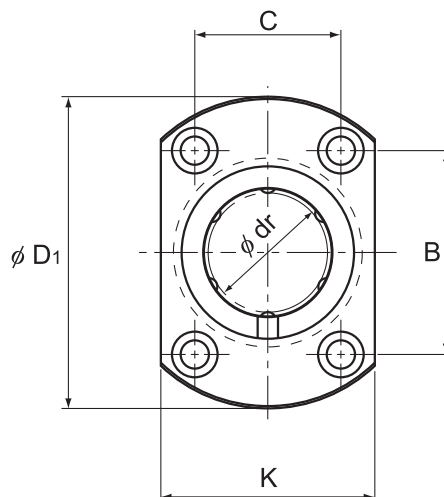
Options \Rightarrow A4-119

THK A4-73

Model LMH-M (Stainless Steel Type)



Models LMH 6M to 13M



Models LMH 16M to 30M

Model No.	Ball rows	Main dimensions							
		Inscribed bore diameter		Outer diameter		Length		Flange diameter	
		dr	Tolerance	D	Tolerance	L	Tolerance	D ₁	Tolerance
LMH 6M	4	6	0 -0.009	12	0 -0.011	19	0 -0.2	28	0 -0.2
LMH 8SM	4	8		15		17		32	
LMH 8M	4	8		15		24		32	
LMH 10M	4	10		19	29	39			
LMH 12M	4	12		21	30	42			
LMH 13M	4	13		23	32	43			
LMH 16M	5	16	28	37	48				
LMH 20M	5	20	0 -0.010	32	0 -0.016	42	54		
LMH 25M	6	25		40		59	62		
LMH 30M	6	30		45		64	74		

Note) Since this model contains a synthetic resin retainer, do not use it in temperatures exceeding 80°C.
If an equipped seal is required, please specify when placing an order.

(Example) LMH16M UU

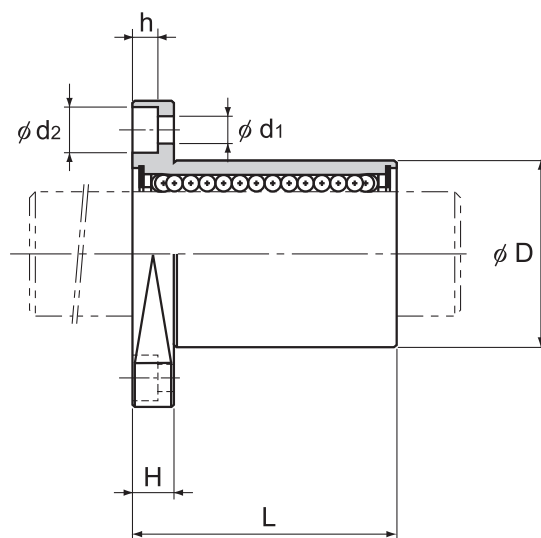
_____ Seal attached on both ends of the nut

A4-74

THK

Download data by searching for the corresponding model number on the Technical Support site.

<https://tech.thk.com>



Unit: mm

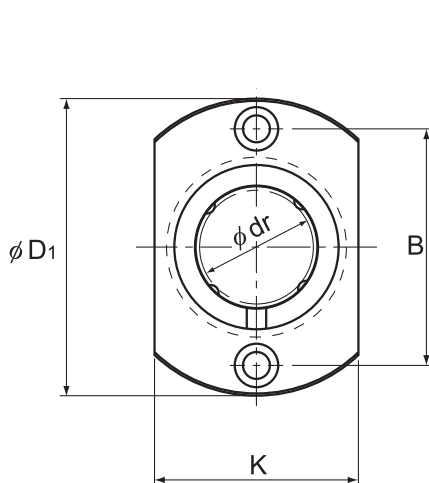
	K	H	B	C	Mounting hole $d_1 \times d_2 \times h$	Flange perpendicularity μm	Eccentricity (max) μm	Radial clearance tolerance μm	Basic load rating		Mass g
									C N	C_0 N	
	18	5	20	—	$3.4 \times 6.5 \times 3.3$	12	12	-5	206	265	20
	21	5	24	—	$3.4 \times 6.5 \times 3.3$	12	12	-5	176	225	24
	21	5	24	—	$3.4 \times 6.5 \times 3.3$	12	12	-5	265	402	28
	25	6	29	—	$4.5 \times 8 \times 4.4$	12	12	-5	373	549	50
	27	6	32	—	$4.5 \times 8 \times 4.4$	12	12	-5	412	598	56
	29	6	33	—	$4.5 \times 8 \times 4.4$	12	12	-7	510	775	69
	34	6	31	22	$4.5 \times 8 \times 4.4$	12	12	-7	775	1180	111
	38	8	36	24	$5.5 \times 9.2 \times 5.4$	15	15	-9	863	1370	140
	46	8	40	32	$5.5 \times 9.2 \times 5.4$	15	15	-9	980	1570	279
	51	10	49	35	$6.6 \times 11 \times 6.5$	15	15	-9	1570	2750	351

Note) Since the nut and the balls use stainless steel, these models are highly resistant to corrosion and environment.
If oil holes are required, please specify by adding OH to the end of the model number.
For further information, contact THK.

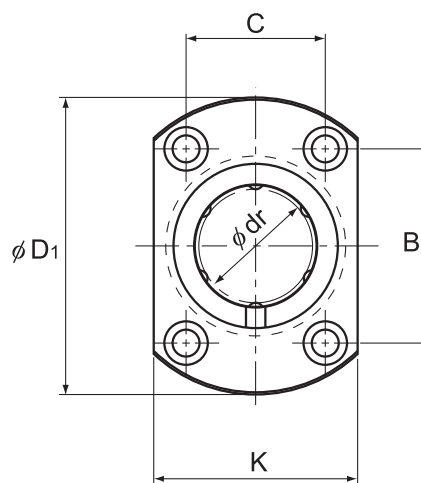
Options⇒ A4-119

THK A4-75

Model LMH-L



Models LMH6L to 13L



Models LMH16L to 30L

Model No.	Ball rows	Main dimensions							
		Inscribed bore diameter		Outer diameter		Length		Flange diameter	
		dr	Tolerance	D	Tolerance	L	Tolerance	D ₁	Tolerance
LMH 6L	4	6	0 -0.010	12	0	35	0 -0.3	28	0 -0.2
LMH 8L	4	8		15	-0.013	45		32	
LMH 10L	4	10		19	0	55		39	
LMH 12L	4	12		21	0	57		42	
LMH 13L	4	13		23	-0.016	61		43	
LMH 16L	5	16	28	0 -0.012	70	48			
LMH 20L	5	20	32		0	80	54		
LMH 25L	6	25	40	0	112	0	62		
LMH 30L	6	30	45	-0.019	123	-0.4	74		

Note) Since this model contains a synthetic resin retainer, do not use it at temperature exceeding 80°C.
If requiring a type equipped with a seal, indicate it when placing an order.

(Example) LMH20L UU

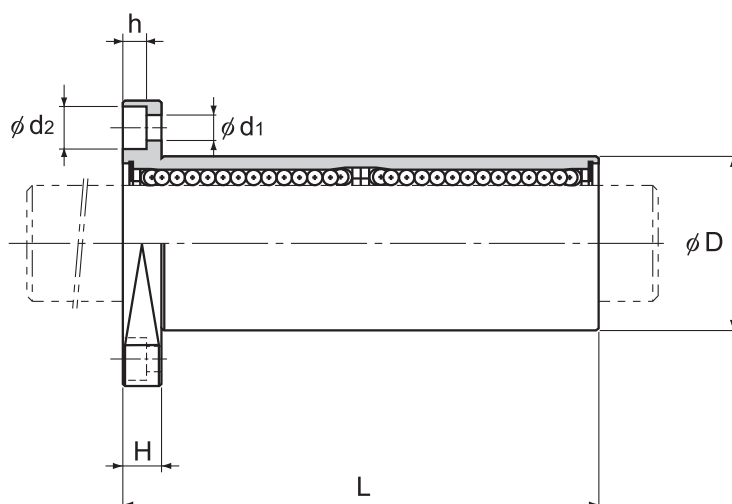
└─── Seal attached on both ends of the nut

A4-76

THK

Download data by searching for the corresponding model number on the Technical Support site.

<https://tech.thk.com>



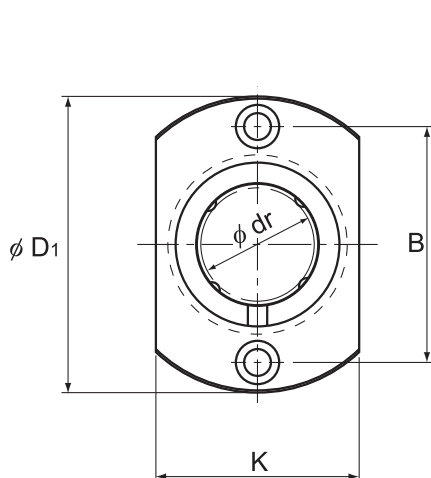
Unit: mm

	K	H	B	C	Mounting hole $d_1 \times d_2 \times h$	Flange perpendicularity μm	Eccentricity (max) μm	Radial clearance tolerance μm	Basic load rating		Mass g
									C N	C_0 N	
	18	5	20	—	$3.4 \times 6.5 \times 3.3$	15	15	-5	324	529	27
	21	5	24	—	$3.4 \times 6.5 \times 3.3$	15	15	-5	431	784	41
	25	6	29	—	$4.5 \times 8 \times 4.4$	15	15	-5	588	1100	72
	27	6	32	—	$4.5 \times 8 \times 4.4$	15	15	-5	657	1200	81
	29	6	33	—	$4.5 \times 8 \times 4.4$	15	15	-7	814	1570	105
	34	6	31	22	$4.5 \times 8 \times 4.4$	15	15	-7	1230	2350	182
	38	8	36	24	$5.5 \times 9.2 \times 5.4$	20	20	-9	1400	2750	217
	46	8	40	32	$5.5 \times 9.2 \times 5.4$	20	20	-9	1560	3140	477
	51	10	49	35	$6.6 \times 11 \times 6.5$	20	20	-9	2490	5490	575

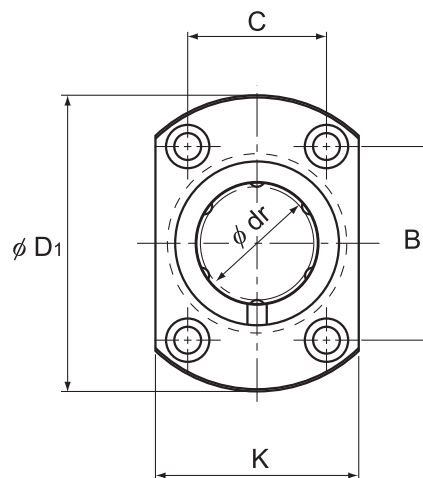
Note) If an oil hole is required, this can be indicated by appending "OH" to the end of the model number.
For further information, contact THK.

Options⇒ **A4-119****THK** **A4-77**

Model LMH-ML (Stainless Steel Type)



Models LMH 6ML to 13ML



Models LMH 16ML to 30ML

Model No.	Ball rows	Main dimensions							
		Inscribed bore diameter		Outer diameter		Length		Flange diameter	
		dr	Tolerance	D	Tolerance	L	Tolerance	D ₁	Tolerance
LMH 6ML	4	6	0 -0.010	12	0	35	0 -0.3	28	0 -0.2
LMH 8ML	4	8		15	-0.013	45		32	
LMH 10ML	4	10		19	0	55		39	
LMH 12ML	4	12		21	-0.016	57		42	
LMH 13ML	4	13		23	0	61		43	
LMH 16ML	5	16	28	0	70	48			
LMH 20ML	5	20	32	0	80	54			
LMH 25ML	6	25	40	-0.019	112	0	62		
LMH 30ML	6	30	45	-0.019	123	-0.4	74		

Note) Since this model contains a synthetic resin retainer, do not use it at temperature exceeding 80°C.
If an equipped seal is required, please specify when placing an order.

(Example) LMH20ML UU

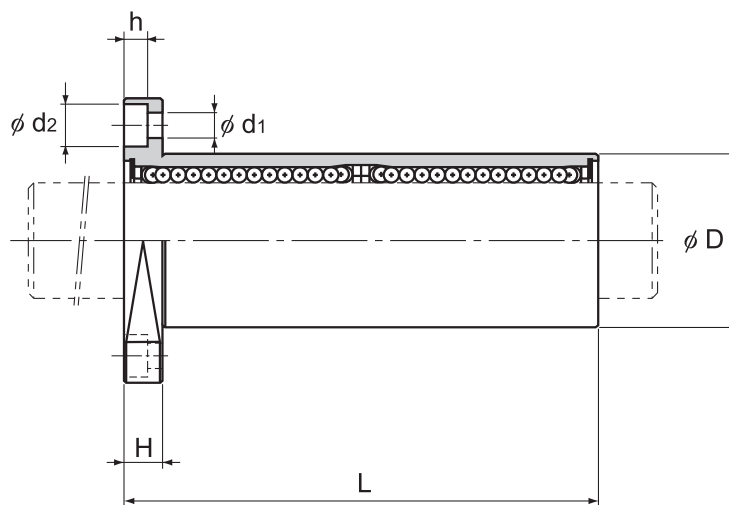
└── Seal attached on both ends of the nut

A4-78

THK

Download data by searching for the corresponding model number on the Technical Support site.

<https://tech.thk.com>



Unit: mm

	K	H	B	C	Mounting hole $d_1 \times d_2 \times h$	Flange perpendicularity μm	Eccentricity (max) μm	Radial clearance tolerance μm	Basic load rating		Mass g
									C N	C_0 N	
	18	5	20	—	$3.4 \times 6.5 \times 3.3$	15	15	-5	324	529	27
	21	5	24	—	$3.4 \times 6.5 \times 3.3$	15	15	-5	431	784	41
	25	6	29	—	$4.5 \times 8 \times 4.4$	15	15	-5	588	1100	72
	27	6	32	—	$4.5 \times 8 \times 4.4$	15	15	-5	657	1200	81
	29	6	33	—	$4.5 \times 8 \times 4.4$	15	15	-7	814	1570	105
	34	6	31	22	$4.5 \times 8 \times 4.4$	15	15	-7	1230	2350	182
	38	8	36	24	$5.5 \times 9.2 \times 5.4$	20	20	-9	1400	2750	217
	46	8	40	32	$5.5 \times 9.2 \times 5.4$	20	20	-9	1560	3140	477
	51	10	49	35	$6.6 \times 11 \times 6.5$	20	20	-9	2490	5490	575

Note) Since the nut and the balls use stainless steel, these models are highly resistant to corrosion and environment.
If oil holes are required, please specify by adding OH to the end of the model number.
For further information, contact THK.

Options⇒ **A4-119****THK** **A4-79**