



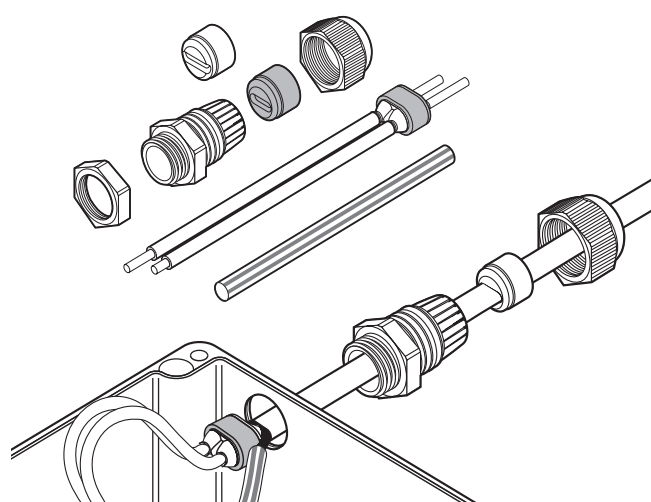
HENNLICH

MERES

# C25-100

## Cold applied connection kit

### PRODUCT OVERVIEW



This connection kit is designed for terminating all nVent RAYCHEM BTV, QTVR, XTV, KTV, HTV and VPL industrial parallel heating cables to a junction box, whilst maintaining electrical insulation of the heating cable conductors and core. It is approved for use in hazardous areas.

The core sealing boot does not require a heat gun or torch for the installation (no hot work permit necessary). The non-curing sealant (silicone free) allows easy installation and facilitates maintenance purposes.

Two grommets supplied in this kit enable the gland to maintain optimum sealing under various ambient conditions. An additional locknut is provided for unthreaded entries.

### Application

Connection kit for BTV, QTVR, XTV, KTV, HTV and VPL parallel heating cables.

### Kit contents

1 gland, 2 grommets, 1 locknut, 1 core sealer, 1 green/yellow tube, 1 installation instruction (multilingual)

### PRODUCT SPECIFICATION

Type	Cold applied
Thread size	M25 x 1.5
Min. ambient temperature	-55°C
Max. exposure temperature (gland)	110°C

### APPROVALS

For use in ordinary and hazardous area Zone 1 and Zone 2 (Gas), Zone 21 and Zone 22 (Dust)

### Temperature classification

Temperature classification is defined by the complete system.

### Product certification



More details about product certification, approvals and conditions of safe use are available in the installation manual at [www.nVent.com/RAYCHEM](http://www.nVent.com/RAYCHEM).



## ORDERING INFORMATION

---

Part description	C25-100
PN (Weight)	263012-000 (0.07 kg)

