



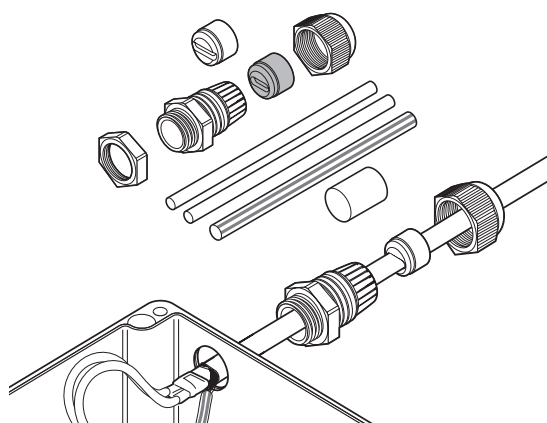
HENNLICH

MERES

C25-21

## Heat-shrink connection kit

### PRODUCT OVERVIEW



This connection kit is designed for terminating all nVent RAYCHEM BTV, QTVR, XTV, KTV and VPL industrial parallel heating cables to a junction box, whilst maintaining electrical insulation of the heating cable conductors and core.

The sealing of the heating cable core is provided by nVent RAYCHEM heat-shrinkable sleeves. Two grommets supplied in this kit enable the gland to maintain optimum sealing under various ambient conditions.

An additional locknut is provided for unthreaded entries.

### Application

Connection kit for BTV, QTVR, XTV, KTV and VPL parallel heating cables

### Kit contents

- 1 gland
- 2 grommets
- 1 locknut
- 1 green/yellow tube, heat-shrinkable sleeves for core sealing
- 1 installation instruction (multilingual)

### PRODUCT SPECIFICATION

#### Technical details

Type	Heat-shrinkable
Thread size	M25 x 1.5
Min. ambient temperature	-55°C
Max. exposure temperature (gland)	110°C
IP ingress protection rating	IP66

## APPROVALS

The kit is certified as part of the system approval of the various heating cables.  
For use in ordinary and hazardous area Zone 1 and Zone 2 (Gas), Zone 21 and Zone 22 (Dust)

### Temperature classification

Temperature classification is defined by the complete system.

### Product certification



More details about product certification, approvals and conditions of safe use are available in the installation manual at [www.nVent.com/RAYCHEM](http://www.nVent.com/RAYCHEM).

## ORDERING INFORMATION

Part description	nVent RAYCHEM C25-21
PN (Weight)	311147-000 (0.06 kg)

