



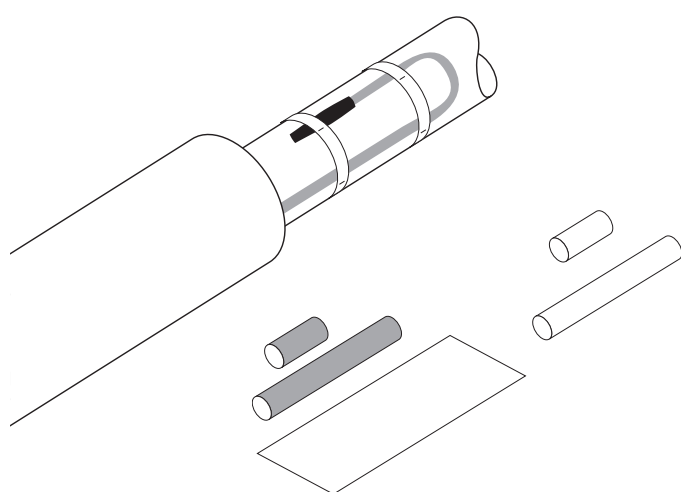
HENNLICH

MERES

E-20 and E-40

Heat-shrink under insulation end seal kits

PRODUCT OVERVIEW



These end seal kits are designed for the termination of nVent RAYCHEM BTV, QTVR, XTVR, HTV and VPL self-regulating heating cables.

The nVent RAYCHEM E-20 is designed for use with BTV and QTVR heating cables and the nVent RAYCHEM E-40 is designed for use with XTVR, HTV and VPL heating cables. All kits are approved for use in hazardous areas.

The end seal kit E-20 employs easy to use heat-shrinkable tubing with an adhesive, that when heated forms a semi-flexible moisture proof encapsulation. The end seal kit E-40 employs high temperature heat-shrinkable tubing with a plastic melt liner that when heated forms a semi-flexible moisture proof encapsulation. Due to the low profile design, the finished termination can be installed directly on the pipe.

One end seal kit is required for each termination.

Application

	E-20	E-40
	End seal for BTV and QTVR self-regulating heating cables	End seal for XTVR and HTV self-regulating and VPL power-limiting heating cables

Kit contents

	Heat-shrinkable adhesive coated sleeves Installation instruction Aluminum tape	Heat-shrinkable sleeves Installation instruction
--	--	---

PRODUCT SPECIFICATIONS

Technical details

	E-20	E-40
Maximum exposure temperature	110°C (230°F)	260°C (500°F)
Final dimensions	Length approximately 120 mm Diameter approximately 20 mm	Length approximately 120 mm Diameter approximately 20 mm
Minimum ambient temperature	-60°C (-76°F)	-60°C (-76°F)

Installation details

Gas torch or equivalent	Minimum 1460 W hot air gun	Minimum 3000 W hot air gun
Minimum installation temperature	-20°C (-4°F)	-60°C (-76°F)

APPROVALS

For use in ordinary and hazardous area Zone 1 (Gas), Zone 21 (Dust) and Div 2

Temperature classification

Temperature classification is defined by the complete system.

Product certification



For certifications in other regions (FM, CSA, IEx etc.), please refer to the installation manual.

More details about product certification, approvals and conditions of safe use are available in the installation manual at www.nVent.com/RAYCHEM.

ORDERING INFORMATION

Part description	E-20	E-40
PN (Weight)	1244-022489 (0.03 kg)	1244-022491 (0.06 kg)

The installation of the E-40 requires a high power heat gun and an experienced installer.

