



HENNLICH

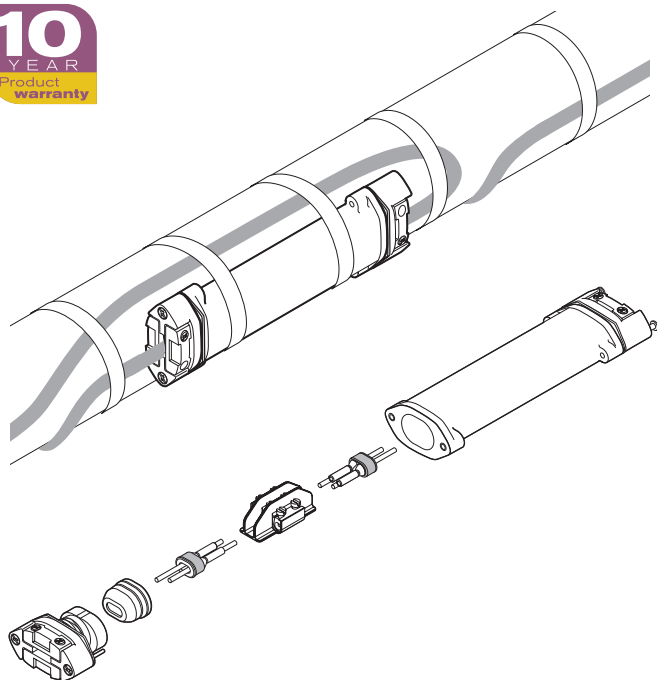
MERES

S-150

## Cold applied under insulation low profile splice

### PRODUCT OVERVIEW

**10**  
YEAR  
Product  
warranty



The nVent RAYCHEM S-150 is a cold applied low profile splice for in-line connection. This universal kit fits with all nVent RAYCHEM industrial heating cables, BTV, QTVR and XTVR, meaning simplified product selection and reduced inventory to stock. It can be used in applications with temperatures ranging from  $-55^{\circ}\text{C}$  to  $200^{\circ}\text{C}$ . It is approved for use in hazardous areas.

The unique design of the S-150 suits the demanding requirements of the industrial environment. The low profile housing can be installed on pipes and other surfaces. Spring loaded grommets make a first seal to maintain a water tight connection while the non-curing sealant (silicone free) used in nVent RAYCHEM's core sealer adds a second seal, providing additional protection. The rugged construction of the splice makes it resistant to impact and suitable for high temperature variations and aggressive chemical exposure. The connection is made using screw terminals. The splice is re-entable. The S-150 is a safe under the insulation in-line splice that can be relied upon over time.

The splice requires no heat source for installation, making maintenance work fast and easy. Each kit contains all the necessary materials to do one in-line splice connection.

### Description

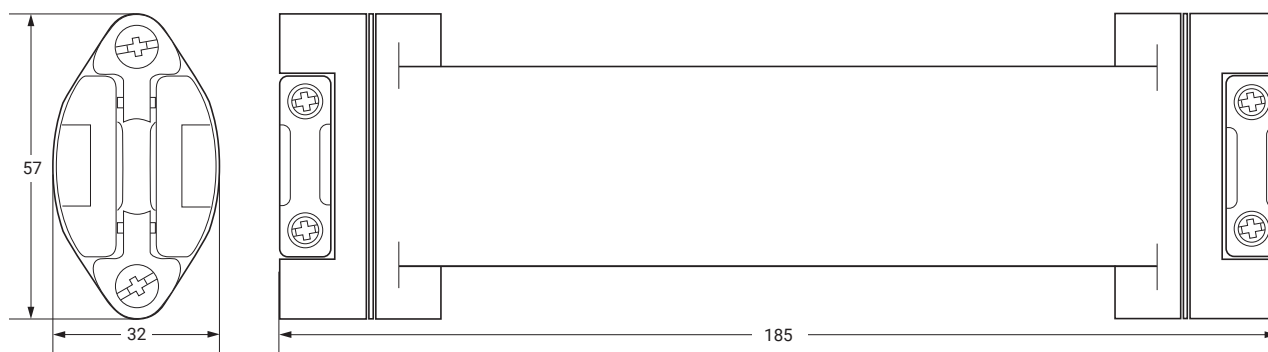
Cold-applied in-line splice kit for use with BTV, QTVR and XTVR heating cables.

### Kit contents

- 1 splice housing
- 2 sealing grommets
- 2 core sealers
- 1 spacer including screw terminals
- 1 identification label

## PRODUCT SPECIFICATIONS

### Dimensions (in mm)



### Technical details

Heating cable capability	BTV-CR, BTV-CT, QTVR-CT, XTVR-CT
Ingress protection	IP66
Minimum installation temperature	-55°C
Maximum pipe temperature	150°C POWER ON and 200°C POWER OFF
Connection method	Screw terminals
Maximum operating voltage	277 Vac
Maximum current rating	40 A heating cable circuit

### Materials of construction

Housing, end plate, shim and spacer	Engineering polymers, black
Sealing grommets	Silicone rubber
Screws, compression spring	Stainless steel

### APPROVALS

For use in ordinary and hazardous area Zone 1 and Zone 2 (Gas), Zone 21 and Zone 22 (Dust).  
Class I Div 2 and Class II, Div 2

### Temperature classification

Temperature classification is defined by the complete system

### Product certification



For certifications in other regions (FM, CSA, IEx etc.), please refer to the installation manual.

More details about product certification, approvals and conditions of safe use are available in the installation manual at [www.nVent.com/RAYCHEM](http://www.nVent.com/RAYCHEM).

### ORDERING INFORMATION

Splice connection	S-150
PN (Weight)	497537-000 (0.4 kg/0.8 lb.)