



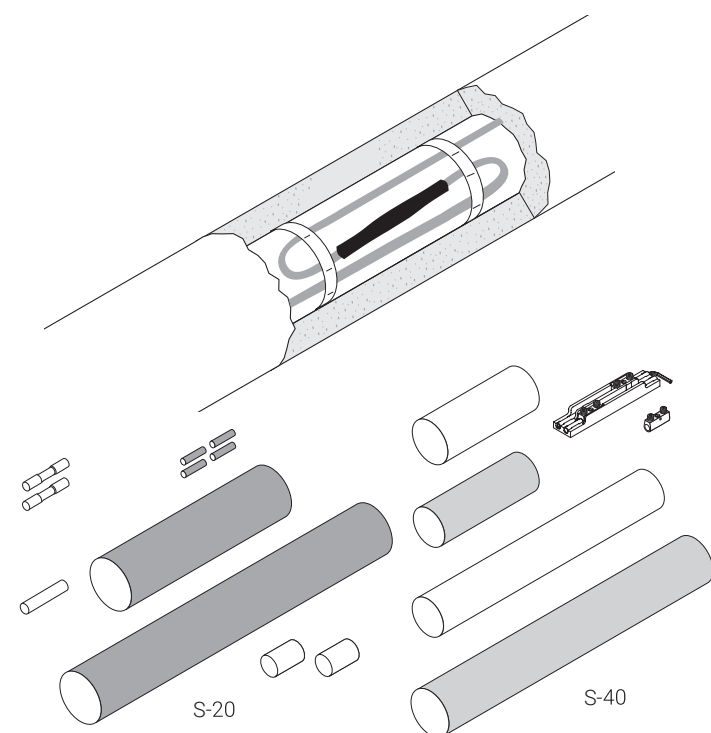
HENNLICH

MERES

S-20 and S-40

Heat-shrink under insulation in-line splice kit

PRODUCT OVERVIEW



These splice kits are designed for the in-line joining of nVent RAYCHEM BTV, QTVR, XTVR, HTV and VPL self-regulating heating cables.

The nVent RAYCHEM S-20 kit is designed for use with BTV and QTVR heating cables and the S-40 kit is for use with XTVR, HTV and VPL heating cables.

All kits are approved for use in hazardous areas.

The splice kits employ easy to use heat-shrinkable tubing with an adhesive, that when heated, forms a semi-flexible moisture proof encapsulation. The S-40 kit is supplied with a removable caddy to make the installation quick and easy.

The S-20 kit uses crimp electrical connections, while the S-40 kit utilizes screws terminals.

Due to their low profile designs, the finished splices can be installed under the insulation, directly on the pipe.

Application

| | S-20 | S-40 |
|--|--|---|
| | In-line splice kit for BTV and QTVR heating cables | In-line splice kit for XTVR, HTV and VPL heating cables |

Kit contents

| | | |
|--|--|--|
| | Heat shrinkable sleeves Crimp splice connectors | Heat shrinkable sleeves, with installation aid, screw terminals and an allen (hex) wrench |
|--|--|--|

PRODUCT SPECIFICATIONS

Technical details

| | S-20 | S-40 |
|------------------------------|---|--|
| Maximum exposure temperature | 110°C (230°F) | 260°C (500°F) |
| Maximum current rating | 35 A (with QTVR cables) | |
| Final dimensions | Length approximately 180 mm (7 inches) Diameter approximately 20 mm (0.8 inches) | Length approximately 300 mm (11.8 inches) Diameter approximately 20 mm (0.8 inches) |
| Minimum ambient temperature | -60°C (-76°F) | -60°C (-76°F) |

Installation details

| | | |
|----------------------------------|----------------------------|----------------------------|
| Gas torch or equivalent | Minimum 1460 W hot air gun | Minimum 3000 W hot air gun |
| Minimum installation temperature | -20°C (-4°F) | -60°C (-76°F) |

RAYCHEM-DS-EU1637-S20S40-EN-2401

| 135

APPROVALS

For use in ordinary and hazardous area Zone 1 (Gas), Zone 21 (Dust) and Div 2

Temperature classification

Temperature classification is defined by the complete system.

Product certification



More details about product certification, approvals and conditions of safe use are available in the installation manual at www.nVent.com/RAYCHEM.

ORDERING INFORMATION

| | | |
|------------------|-----------------------|-----------------------|
| Part description | S-20 | S-40 |
| PN (Weight) | 1244-022490 (0.05 kg) | 1244-022492 (0.11 kg) |

The installation of the S-40 requires a high power heat gun and an experienced installer.

