



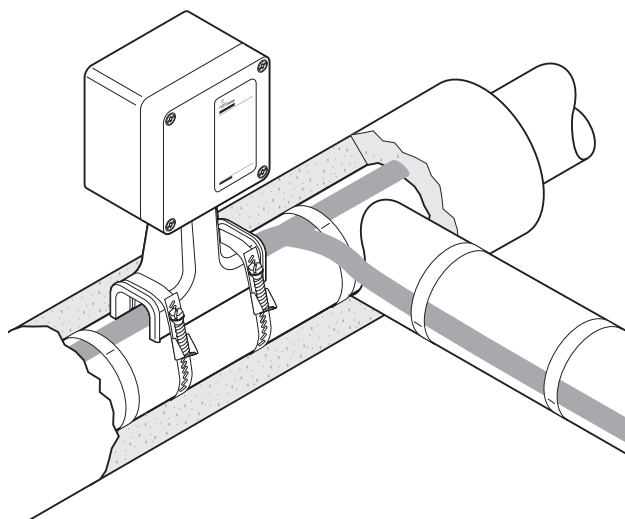
HENNLICH

MERES

## T-100

### Splice or tee connection kit

#### PRODUCT OVERVIEW



The nVent RAYCHEM T-100 is an above-insulation splice or tee kit, designed for use with up to three nVent RAYCHEM BTV, QTVR, XTVR, HTV or VPL industrial parallel heating cables. It is approved for use in hazardous locations.

The rugged stand protects the heating cable and allows for up to 100 mm (4") of thermal insulation.

The core sealing boot does not require a heat gun or torch for the installation (no hot work permit necessary).

The non-curing sealant (silicone free) in the boot allows easy installation and facilitates maintenance.

The T-100 significantly reduces installation and maintenance time and effort.

#### Description

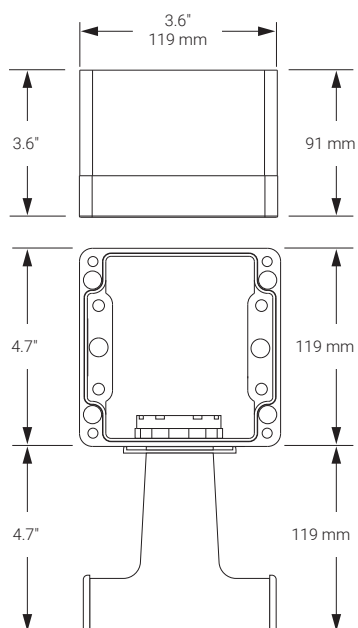
This kit is an above-insulation splice/tee, appropriate for use worldwide with no requirements for local customization.

#### Kit contents

- 1 splice/tee enclosure and lid
- 1 stand assembly
- 3 core sealers
- 3 green/yellow earthing sleeve
- 3 compression crimps
- 3 crimping insulating tubes
- 1 polywater sachet
- 1 spanner
- 1 strain relief assembly
- 2 grommet plugs
- 1 installation instruction

## PRODUCT SPECIFICATIONS

### Dimensions (nominal)



### Technical details

Heating cable capability	BTV-CR, BTV-CT, QTVR-CT, XTVR-CT, HTV-CT, VPL
Ingress protection	NEMA Type 4X IP66
Min. installation temperature	-55°C
Max. pipe temperature	Refer to heating cable specification
Ambient temperature range:	-55°C to +56°C
Max. operating voltage	277 Vac for FM, CSA, 480 Vac for PTB
Max. continuous operating current	50 A heating cable circuit for NEC/CEC as approved by CSA and FM 40 A heating cable circuit for IEC as approved by PTB

### Materials of construction

Enclosure, lid, and stand	Electrostatic charge-resistant glass-filled engineered polymer, black
Lid screws	Stainless steel
Lid gasket	Silicone rubber

### APPROVALS

For use in ordinary and hazardous area Zone 1 and Zone 2 (Gas), Zone 21 and Zone 22 (Dust) and Class I Div 2 (Groups A, B, C, D), Class II Div 1 (Groups E, F, G) and Class III

#### Temperature classification

Temperature classification is defined by the complete system.

#### Product certification



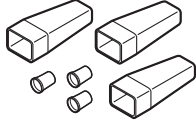
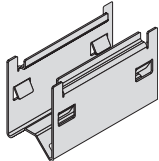
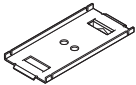
For certifications in other regions (FM, CSA, IEx etc.), please refer to the installation manual.

More details about product certification, approvals and conditions of safe use are available in the installation manual at [www.nVent.com/RAYCHEM](http://www.nVent.com/RAYCHEM).

## ORDERING INFORMATION

Part description	T-100
PN (Weight)	447379-000 (2.5 lb /1.2 kg)

### Accessories

Crimp tool	T-100-CT (not included in the kit, equivalent to Panduit: CT-1570)	
	PN	954799-000
		T-100-CRIMP-KIT (spare part only)
Spare crimps and insulating tubes 	T-100-CRIMP-KIT (spare part only)	
	PN	577853-000
Junction box standoff 	For insulation thickness >100 mm & ≤150 mm *	
	Catalog number	JBM-100-STANDOFF
	Part number	P000003624
	Weight	0.599 lb / 272 g
	* Consider extra pipe strap length 6-9" (150-225 mm) for attachment	
Small pipe adapter 	Required for stand on pipes ≤1"	
	Catalog number	JBM-SPA
	Part number	D55673-000
	Weight	0.930 lb / 422 g (Bag of 5 adaptors)

