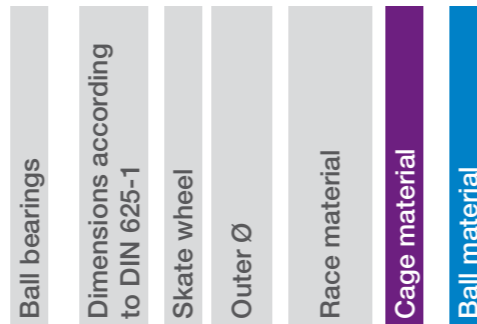


PA cage,
stainless steel ballsPA cage,
glass balls

Order key

Type Material

BB-6004SW100-B180-10-ES



Cage material

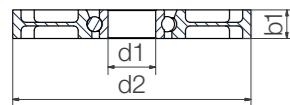
10 = PA

Options:

Ball material

ES = Stainless steel

GL = Glass



Technical data

Installation size	Radial load capacity		Max. speed [rpm]	Weight	
	stat. [N]	dyn. [N]		PA/ES [g]	PA/GL [g]
6004	245	294	1,400	58.81	58.81

Dimensions [mm]

Inner Ø d1	Outer Ø d2	Width b1	Part No.
20	100	12	BB-6004SW100-B180-10-ES

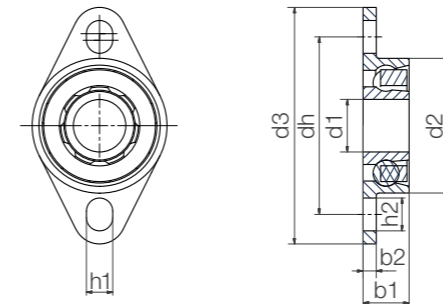


Order example:

BB-6004SW100-B180-10-ES = xiros® skate wheel with race material xirodur® B180, 100mm outer diameter, PA cage and stainless steel balls

Available
from stock922 Online tools and more information ► www.igus.eu/xirosxirodur® B180 cage
Stainless steel balls

- For less precise holding fixtures



Order key

Type Material

BB-FL-608-B180-30-ES



Cage material

30 = xirodur® B180

Ball material

ES = Stainless steel

Technical data

Installation size	Radial load capacity		Max. speed [rpm]	Weight B180/ES [g]
	stat. [N]	dyn. [N]		
626	60	62	3,200	2.89
608	80	92	2,200	3.65
6000	110	130	2,200	6.49
6001	130	147	2,000	7.68
6003	160	220	1,600	11.13
6004	250	320	1,400	25.06

Dimensions [mm]

d1	d2	d3	b1	b2	dh	h1	h2	Part No.
6	19	33.5	6	2	25	3	4.5	BB-FL-626-B180-30-ES
8	20.7	35.8	7	2	26.8	4	5	BB-FL-608-B180-30-ES
10	26	41	8	2	32	4	5	BB-FL-6000-B180-30-ES
12	28	44	8	2	35	4	5	BB-FL-6001-B180-30-ES
17	35	54	10	2.5	44	4	6	BB-FL-6003-B180-30-ES
20	42	84	12	4	63	8	12	BB-FL-6004-B180-30-ES



Order example:

BB-FL-608-B180-30-ES = Fixed flange ball bearing with xirodur® B180 housing, xirodur® B180 cage and stainless steel balls

Available
from stock3D CAD files, prices and delivery time online ► www.igus.eu/xiros 923