


Pillow block bearings with cost-effective metallic housing: PP-JEM-SP

 Order key


Type	Size [mm]	Version
------	-----------	---------

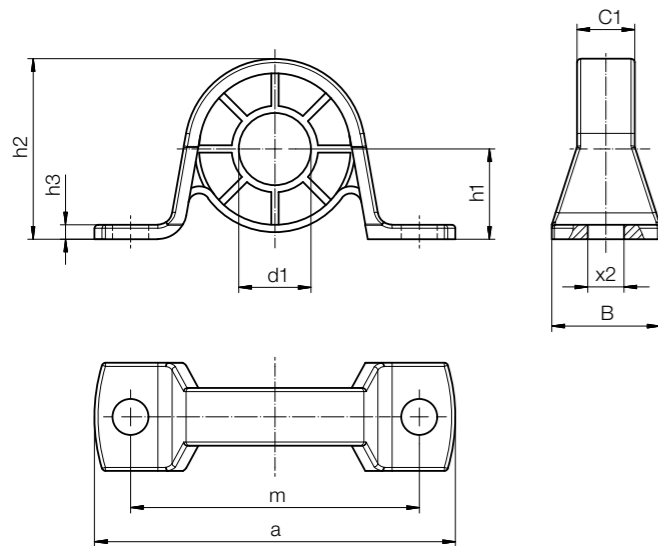
PP204- J E M- 20 - 14 - SP

Pillow block bearing	Spherical ball material	Dimensional series	Metric	Spherical ball inner Ø	Spherical ball width	Injection moulding
----------------------	-------------------------	--------------------	--------	------------------------	----------------------	--------------------



- Lubrication and maintenance-free
- Cost-effective
- Resistant to dirt
- Cost-effective spherical ball material iglidur® J4 available (order example: PP204-J4EM-20-14-SP)

 **Material:**
Housing: Galvanised steel
 (stainless steel upon request)
Spherical ball: iglidur® J
 (alternative iglidur® J4)



Technical data

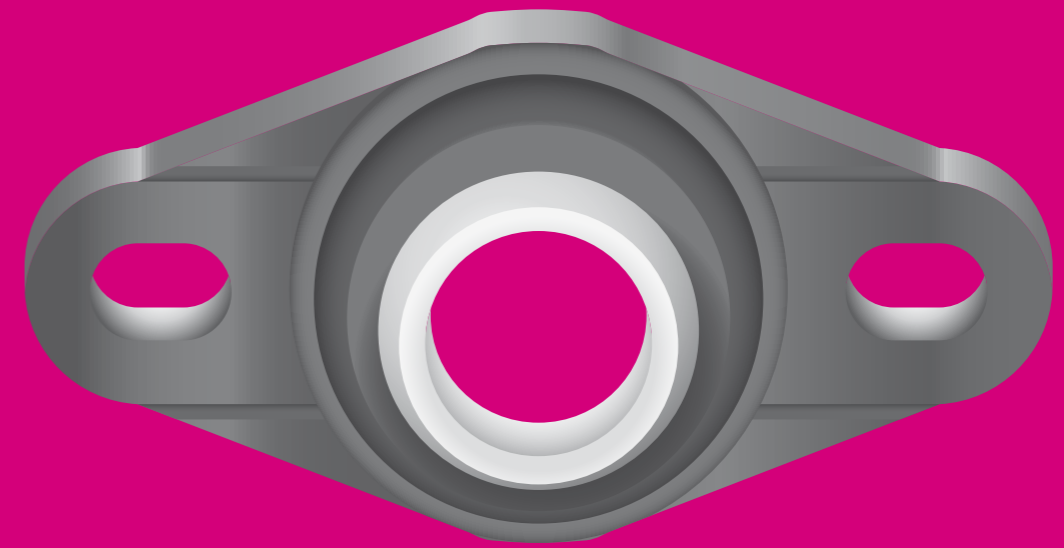
Part No.	max. static radial tensile strain		Max. static axial compressive force		Weight [g]
	Short-term	Long-term	Short-term	Long-term	
	[N]	[N]	[N]	[N]	
PP204-JEM-20-14-SP New	3,000	1,500	1,000	500	121.0
PP205-JEM-25-15-SP New	5,000	2,500	1,800	900	154.0
PP206-JEM-30-16-SP New	6,000	3,000	1,800	900	206.0

Dimensions [mm]

Part No.	d1	h1	h2	h3	a	m	C1	B	x2
PP204-JEM-20-14-SP New	20	25.4	50.5	3	98	76	22.0	32	9.5
PP205-JEM-25-15-SP New	25	28.6	56.6	4	108	86	24.0	32	11.5
PP206-JEM-30-16-SP New	30	33.3	66.3	4	117	95	26.5	38	11.5

Can be combined with SRM fixing collars, page 858

800 Online tools and more information ► www.igus.eu/pillow-block



igubal® fixed flange bearings

Maintenance-free dry operation

Robust

Durable

Compensation of misalignment errors

Resistant to edge loads

Lightweight

