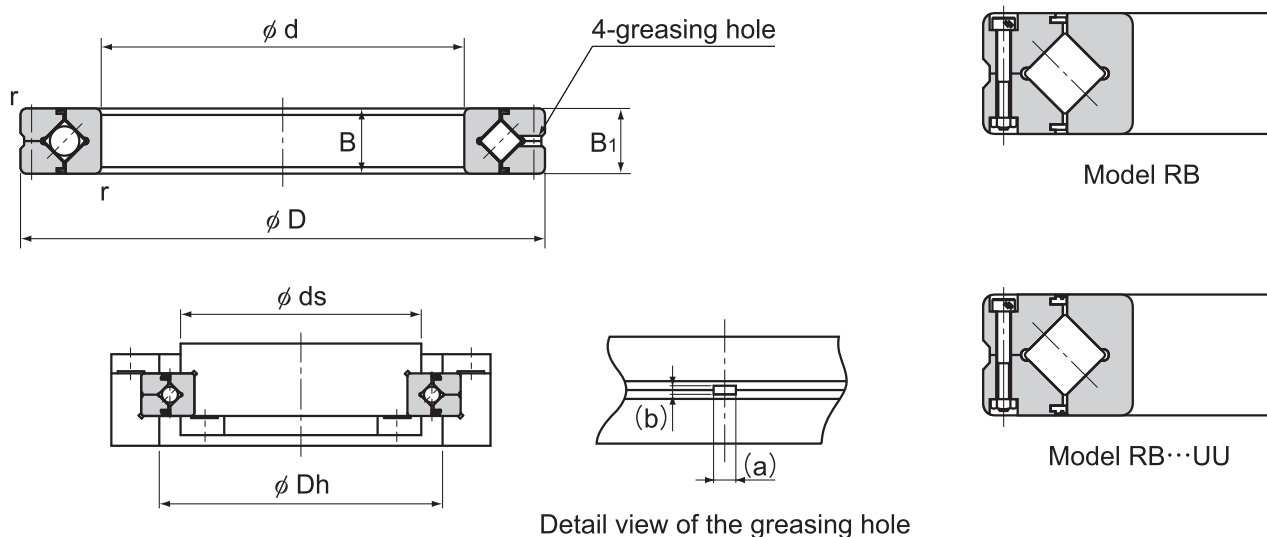


Model RB (Separable Outer Ring Type)



Detail view of the greasing hole

Unit: mm

| Shaft diameter | Model No. | Main dimensions | | | | | | | Shoulder height | | Basic load rating (radial) | | Mass kg |
|----------------|-----------|---------------------|---------------------|------------------------------------|---------------------------|---------------|-----|------------------|-----------------|-------------|----------------------------|----------------------|------------|
| | | Inner diameter d | Outer diameter D | Roller pitch circle diameter dp | Width B B ₁ | Greasing hole | | r _{min} | ds (max) | Dh (min) | C kN | C ₀ kN | |
| | | | | | | a | b | | | | | | |
| 20 | RB 2008 | 20 | 36 | 27 | 8 | 2 | 0.8 | 0.5 | 23.5 | 30.5 | 3.23 | 3.1 | 0.04 |
| 25 | RB 2508 | 25 | 41 | 32 | 8 | 2 | 0.8 | 0.5 | 28.5 | 35.5 | 3.63 | 3.83 | 0.05 |
| 30 | RB 3010 | 30 | 55 | 41.5 | 10 | 2.5 | 1 | 0.6 | 37 | 47 | 7.35 | 8.36 | 0.12 |
| 35 | RB 3510 | 35 | 60 | 46.5 | 10 | 2.5 | 1 | 0.6 | 41 | 51.5 | 7.64 | 9.12 | 0.13 |
| 40 | RB 4010 | 40 | 65 | 51.5 | 10 | 2.5 | 1 | 0.6 | 46.5 | 57.5 | 8.33 | 10.6 | 0.16 |
| 45 | RB 4510 | 45 | 70 | 56.5 | 10 | 2.5 | 1 | 0.6 | 51 | 61.5 | 8.62 | 11.3 | 0.17 |
| 50 | RB 5013 | 50 | 80 | 64 | 13 | 2.5 | 1.6 | 0.6 | 57 | 72 | 16.7 | 20.9 | 0.27 |
| 60 | RB 6013 | 60 | 90 | 74 | 13 | 2.5 | 1.6 | 0.6 | 67 | 82 | 18 | 24.3 | 0.3 |
| 70 | RB 7013 | 70 | 100 | 84 | 13 | 2.5 | 1.6 | 0.6 | 77 | 92 | 19.4 | 27.7 | 0.35 |
| 80 | RB 8016 | 80 | 120 | 98 | 16 | 3 | 1.6 | 0.6 | 88 | 110 | 30.1 | 42.1 | 0.7 |
| 90 | RB 9016 | 90 | 130 | 108 | 16 | 3 | 1.6 | 1 | 98 | 118 | 31.4 | 45.3 | 0.75 |
| 100 | RB 10016 | 100 | 140 | 119.3 | 16 | 3.5 | 1.6 | 1 | 109 | 129 | 31.7 | 48.6 | 0.83 |
| | RB 10020 | | 150 | 123 | 20 | 3.5 | 1.6 | 1 | 113 | 133 | 33.1 | 50.9 | 1.45 |
| 110 | RB 11012 | 110 | 135 | 121.8 | 12 | 2.5 | 1 | 0.6 | 117 | 128 | 12.5 | 24.1 | 0.4 |
| | RB 11015 | | 145 | 126.5 | 15 | 3.5 | 1.6 | 0.6 | 119 | 136 | 23.7 | 41.5 | 0.75 |
| | RB 11020 | | 160 | 133 | 20 | 3.5 | 1.6 | 1 | 120 | 143 | 34 | 54 | 1.56 |
| 120 | RB 12016 | 120 | 150 | 134.2 | 16 | 3.5 | 1.6 | 0.6 | 127 | 141 | 24.2 | 43.2 | 0.72 |
| | RB 12025 | | 180 | 148.7 | 25 | 3.5 | 2 | 1.5 | 133 | 164 | 66.9 | 100 | 2.62 |
| 130 | RB 13015 | 130 | 160 | 144.5 | 15 | 3.5 | 1.6 | 0.6 | 137 | 152 | 25 | 46.7 | 0.72 |
| | RB 13025 | | 190 | 158 | 25 | 3.5 | 2 | 1.5 | 143 | 174 | 69.5 | 107 | 2.82 |

Note1) The model number of a type with seals attached is RB...UU.

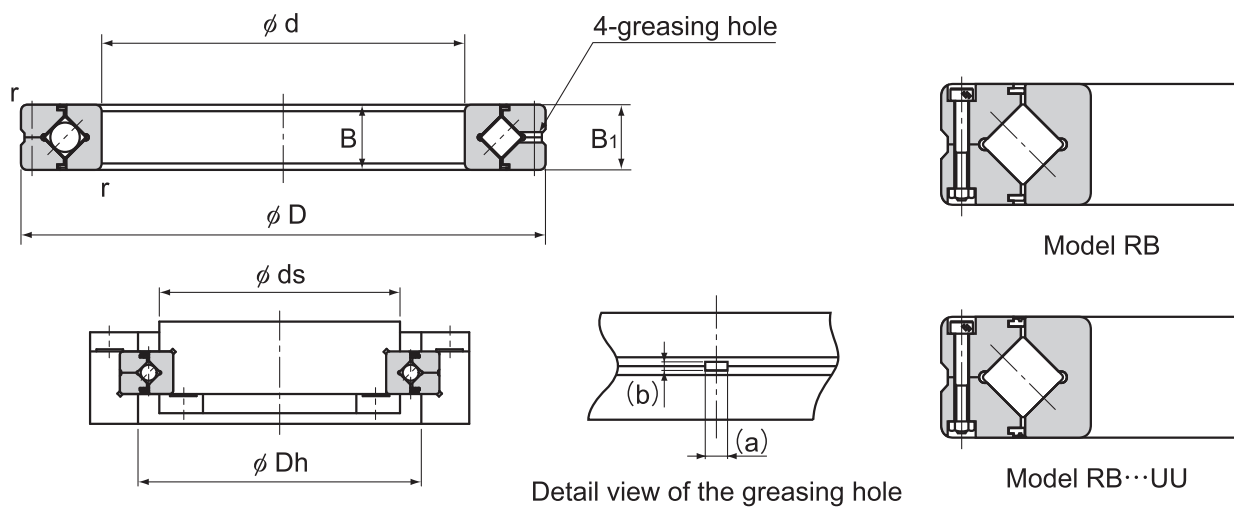
If a certain level of accuracy is required, this model is used for inner ring rotation.

Note2) (a) and (b) dimensions of the greasing hole in the detailed diagram are reference values.

A18-24 THK

Download data by searching for the corresponding model number on the Technical Support site.

<https://tech.thk.com>



Unit: mm

| Shaft diameter | Model No. | Main dimensions | | | | | | | Shoulder height | | Basic load rating (radial) | | Mass |
|----------------|-----------|-----------------|----------------|------------------------------|-------|---------------|-----|-----------|-----------------|------------|----------------------------|-------|------|
| | | Inner diameter | Outer diameter | Roller pitch circle diameter | Width | Greasing hole | | r_{min} | ds (max) | Dh (min) | C | C_0 | |
| | | | | | | d | D | | | | | | |
| 140 | RB 14016 | 140 | 175 | 154.8 | 16 | 2.5 | 1.6 | 1 | 147 | 162 | 25.9 | 50.1 | 1 |
| | RB 14025 | | 200 | 168 | 25 | 3.5 | 2 | 1.5 | 154 | 185 | 74.8 | 121 | 2.96 |
| 150 | RB 15013 | 150 | 180 | 164 | 13 | 2.5 | 1.6 | 0.6 | 157 | 172 | 27 | 53.5 | 0.68 |
| | RB 15025 | | 210 | 178 | 25 | 3.5 | 2 | 1.5 | 164 | 194 | 76.8 | 128 | 3.16 |
| | RB 15030 | | 230 | 188 | 30 | 4.5 | 3 | 1.5 | 169 | 211 | 100 | 156 | 5.3 |
| 160 | RB 16025 | 160 | 220 | 188.6 | 25 | 3.5 | 2 | 1.5 | 173 | 204 | 81.7 | 135 | 3.14 |
| 170 | RB 17020 | 170 | 220 | 191 | 20 | 3.5 | 1.6 | 1.5 | 184 | 198 | 29 | 62.1 | 2.21 |
| 180 | RB 18025 | 180 | 240 | 210 | 25 | 3.5 | 2 | 1.5 | 195 | 225 | 84 | 143 | 3.44 |
| 190 | RB 19025 | 190 | 240 | 211.9 | 25 | 3.5 | 1.6 | 1 | 202 | 222 | 41.7 | 82.9 | 2.99 |
| 200 | RB 20025 | 200 | 260 | 230 | 25 | 3.5 | 2 | 2 | 215 | 245 | 84.2 | 157 | 4 |
| | RB 20030 | | 280 | 240 | 30 | 4.5 | 3 | 2 | 221 | 258 | 114 | 200 | 6.7 |
| | RB 20035 | | 295 | 247.7 | 35 | 5 | 3 | 2 | 225 | 270 | 151 | 252 | 9.6 |
| 220 | RB 22025 | 220 | 280 | 250.1 | 25 | 3.5 | 2 | 2 | 235 | 265 | 92.3 | 171 | 4.1 |
| 240 | RB 24025 | 240 | 300 | 269 | 25 | 3.5 | 2 | 2.5 | 256 | 281 | 68.3 | 145 | 4.5 |
| 250 | RB 25025 | 250 | 310 | 277.5 | 25 | 3.5 | 2 | 2.5 | 265 | 290 | 69.3 | 150 | 5 |
| | RB 25030 | | 330 | 287.5 | 30 | 4.5 | 3 | 2.5 | 269 | 306 | 126 | 244 | 8.1 |
| | RB 25040 | | 355 | 300.7 | 40 | 6 | 3.5 | 2.5 | 275 | 326 | 195 | 348 | 14.8 |
| 300 | RB 30025 | 300 | 360 | 328 | 25 | 3.5 | 2 | 2.5 | 315 | 340 | 76.3 | 178 | 5.9 |
| | RB 30035 | | 395 | 345 | 35 | 5 | 3 | 2.5 | 322 | 368 | 183 | 367 | 13.4 |
| | RB 30040 | | 405 | 351.6 | 40 | 6 | 3.5 | 2.5 | 326 | 377 | 212 | 409 | 17.2 |
| 350 | RB 35020 | 350 | 400 | 373.4 | 20 | 3.5 | 1.6 | 2.5 | 363 | 383 | 54.1 | 143 | 3.9 |

Note1) The model number of a type with seals attached is RB...UU.

If a certain level of accuracy is required, this model is used for inner ring rotation.

Note2) (a) and (b) dimensions of the greasing hole in the detailed diagram are reference values.

Model number coding

RB3010 UU CC0 P5

Model number

Accuracy symbol (*2)

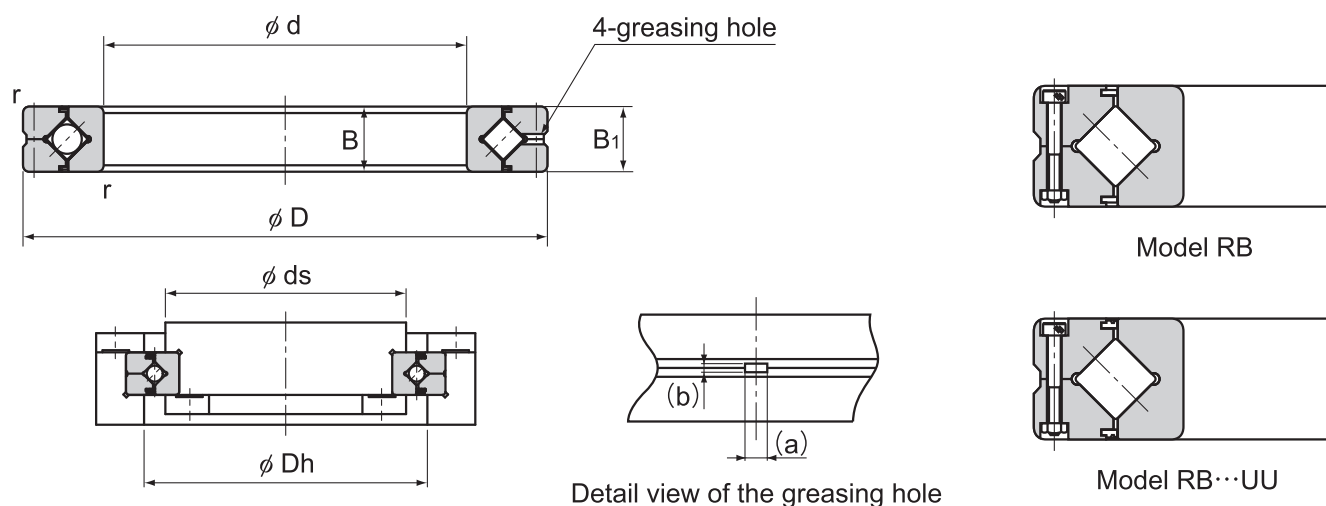
Radial clearance symbol (*1)

Seal attached on both ends (seal attached on either end: U)

(*1) See **A18-18**. (*2) See **A18-13**.

THK A18-25

Model RB (Separable Outer Ring Type)



Unit: mm

| Shaft diameter | Model No. | Main dimensions | | | | | | | Shoulder height | | Basic load rating (radial) | | Mass kg |
|----------------|------------|---------------------|---------------------|------------------------------------|---------------------------|---------------|-----|-----------|-----------------|----------|----------------------------|----------------------|------------|
| | | Inner diameter d | Outer diameter D | Roller pitch circle diameter dp | Width B B ₁ | Greasing hole | | r_{min} | ds (max) | Dh (min) | C kN | C ₀ kN | |
| | | | | | | a | b | | | | | | |
| 400 | RB 40035 | 400 | 480 | 440.3 | 35 | 5 | 3 | 2.5 | 422 | 459 | 156 | 370 | 14.5 |
| | RB 40040 | | 510 | 453.4 | 40 | 6 | 3.5 | 2.5 | 428 | 479 | 241 | 531 | 23.5 |
| 450 | RB 45025 | 450 | 500 | 474 | 25 | 3.5 | 1.6 | 1 | 464 | 484 | 61.7 | 182 | 6.6 |
| 500 | RB 50025 | 500 | 550 | 524.2 | 25 | 3.5 | 1.6 | 1 | 514 | 534 | 65.5 | 201 | 7.3 |
| | RB 50040 | | 600 | 548.8 | 40 | 6 | 3 | 2.5 | 526 | 572 | 239 | 607 | 26 |
| | RB 50050 | | 625 | 561.6 | 50 | 6 | 3.5 | 2.5 | 536 | 587 | 267 | 653 | 41.7 |
| 600 | RB 60040 | 600 | 700 | 650 | 40 | 6 | 3 | 3 | 627 | 673 | 264 | 721 | 29 |
| 700 | RB 70045 | 700 | 815 | 753.5 | 45 | 6 | 3 | 3 | 731 | 777 | 281 | 836 | 46 |
| 800 | RB 80070 | 800 | 950 | 868.1 | 70 | 6 | 4 | 4 | 836 | 900 | 468 | 1330 | 105 |
| 900 | RB 90070 | 900 | 1050 | 969 | 70 | 6 | 4 | 4 | 937 | 1001 | 494 | 1490 | 120 |
| 1000 | RB 1000110 | 1000 | 1250 | 1114 | 110 | 6 | 6 | 5 | 1057 | 1171 | 1220 | 3220 | 360 |
| 1250 | RB 1250110 | 1250 | 1500 | 1365.8 | 110 | 6 | 6 | 5 | 1308 | 1423 | 1350 | 3970 | 440 |

Note1) The model number of a type with seals attached is RB...UU.

If a certain level of accuracy is required, this model is used for inner ring rotation.

Note2) (a) and (b) dimensions of the greasing hole in the detailed diagram are reference values.

Model number coding

RB40040 UU C0 PE5

Model number

Accuracy symbol (*2)

Radial clearance symbol (*1)

Seal attached on both ends (seal attached on either end: U)

(*1) See **A18-18**. (*2) See **A18-13**.

A18-26 THK

Download data by searching for the corresponding model number on the Technical Support site.

<https://tech.thk.com>