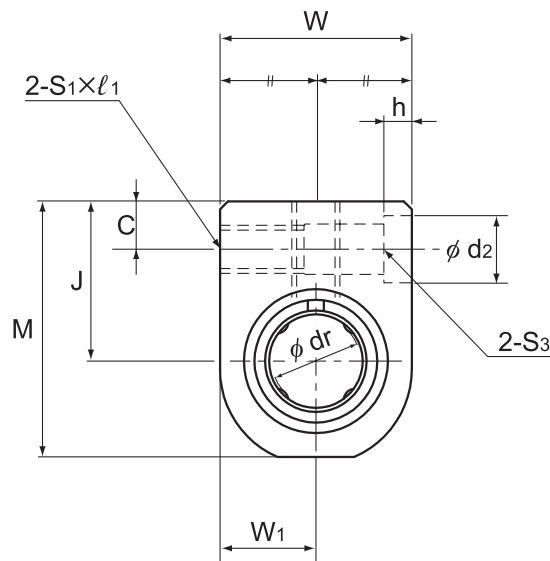


# Model SH



Model SH

Model No.	Outer dimensions			LM casing dimensions					
	Height	Width	Length	Mounting hole position			Tap		Through bolt
	M	W	L	B	B <sub>1</sub>	C	S <sub>1</sub> × l <sub>1</sub>	S <sub>2</sub> × l	model No, S <sub>3</sub>
SH 3UU	14	10	13	—	8	3	M3 × 6	M3 × 5.5	M2
SH 4UU	16	12	15	—	10	3	M3 × 6	M3 × 6	M2
SH 5UU	18	14	17	—	12	3	M3 × 6	M3 × 6	M2
SH 6UU	22	16	24	18	9	5	M4 × 8	M4 × 8	M3
SH 8UU	26	20	27	20	10	5	M4 × 8	M5 × 8.5	M3
SH 10UU	32	26	35	27	15	6	M5 × 10	M6 × 9.5	M4
SH 12UU	34	28	35	27	15	6	M5 × 10	M6 × 9.5	M4
SH 13UU	36	30	36	28	16	6	M5 × 10	M6 × 9.5	M4
SH 16UU	42	36	40	32	18	6	M5 × 10	M6 × 10	M4
SH 20UU	49	42	44	36	22	7	M6 × 12	M6 × 12	M5

Note) Since this model contains a synthetic resin retainer, do not use it at temperature exceeding 80°C.

A stainless steel Linear Bushing model LM-MG, which is highly corrosion resistant, can also be incorporated at your request.

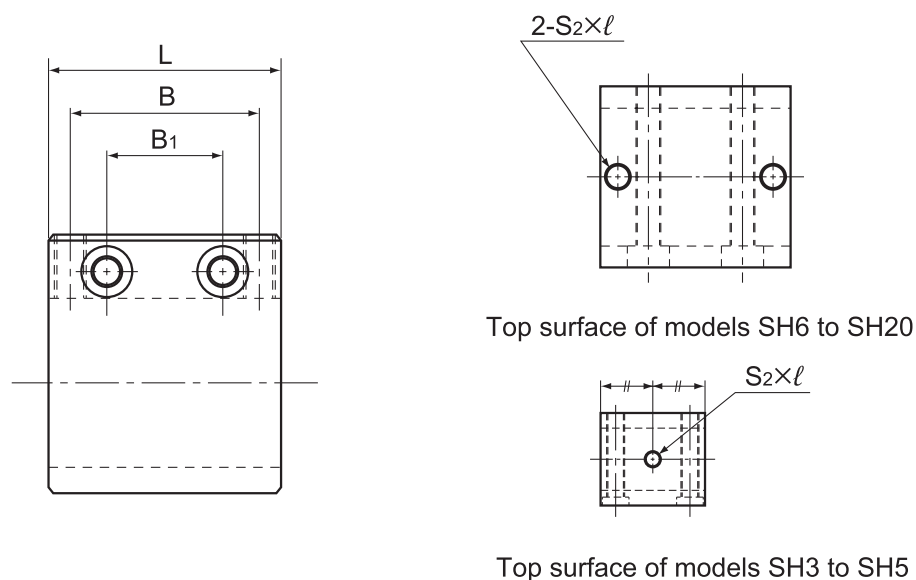
Example of Model Number for Use in Combination with Linear Bushing Units

Linear Bushing to be combined	Example of model No.	
Both end attached with seal	SH 13UU	Standard stock
Without seal	SH 13	Build to order
Made of stainless steel; both end attached with seal	SH 13MUU	Build to order

**A4-104** **THK**

Download data by searching for the corresponding model number on the Technical Support site.

<https://tech.thk.com>



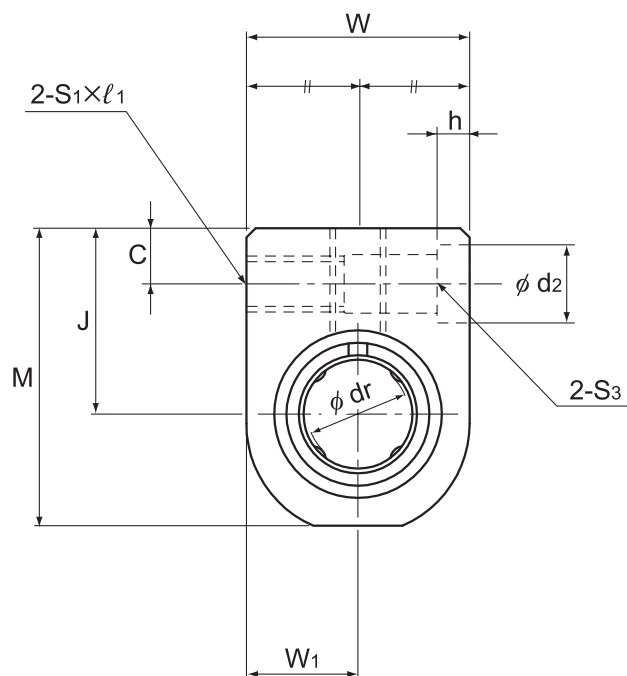
Unit: mm

	Center height J $\pm 0.02$	$W_1$ $\pm 0.02$	$d_2$	h	Inscribed bore diameter		Model No. of Linear Bushing to be combined	Basic load rating		Unit
					dr	Tolerance		C N	$C_0$ N	Mass g
	9	5	4.2	1.5	3	0 -0.008	LM3UU	88.2	108	4.5
	10	6	4.2	1.5	4		LM4UU	88.2	127	7
	11	7	4.2	1.5	5		LM5UU	167	206	11
	14	8	6.5	3.3	6	0 -0.009	LM6UU	206	265	21
	16	10	6.5	3.3	8		LM8UU	265	402	34
	19	13	8	4.4	10		LM10UU	373	549	67
	20	14	8	4.4	12		LM12UU	412	598	74
	21	15	8	4.4	13		LM13UU	510	775	91
	24	18	8	4.4	16		LM16UU	775	1180	157
	28	21	9.5	5.4	20		0 -0.010	LM20UU	863	1370

Options  $\Rightarrow$  A4-119

THK A4-105

## Model SH-L



Model SH-L

Model No.	Outer dimensions			LM casing dimensions					
	Height	Width	Length	Mounting hole position			Tap		Through bolt
	M	W	L	B	B <sub>1</sub>	C	S <sub>1</sub> × l <sub>1</sub>	S <sub>2</sub> × l	model No, S <sub>3</sub>
SH 3LUU	14	10	23	10	18	3	M3 × 6	M3 × 5.5	M2
SH 4LUU	16	12	27	14	22	3	M3 × 6	M3 × 6	M2
SH 5LUU	18	14	32	18	26	3	M3 × 6	M3 × 6	M2
SH 6LUU	22	16	40	20	30	5	M4 × 8	M4 × 8	M3
SH 8LUU	26	20	52	30	42	5	M4 × 8	M5 × 8.5	M3
SH 10LUU	32	26	60	36	50	6	M5 × 10	M6 × 9.5	M4
SH 12LUU	34	28	62	36	50	6	M5 × 10	M6 × 9.5	M4
SH 13LUU	36	30	66	40	54	6	M5 × 10	M6 × 9.5	M4
SH 16LUU	42	36	76	52	66	6	M5 × 10	M6 × 10	M4
SH 20LUU	49	42	86	58	72	7	M6 × 12	M6 × 12	M5

Note) Since this model contains a synthetic resin retainer, do not use it at temperature exceeding 80°C.

A stainless steel Linear Bushing model LM-MG, which is highly corrosion resistant, can also be incorporated at your request.

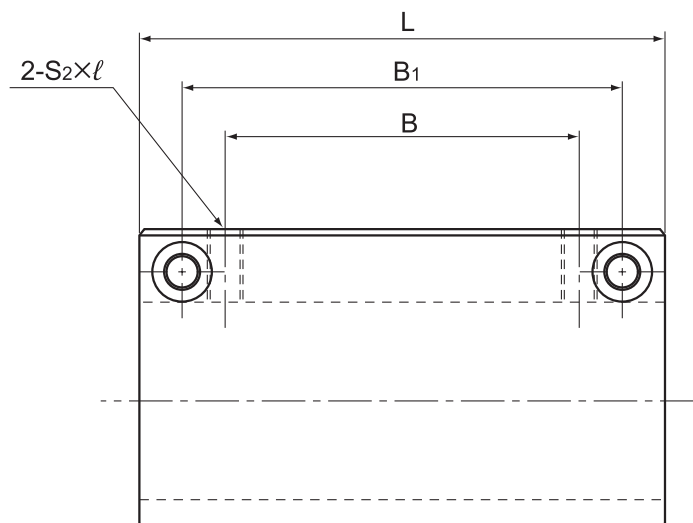
Example of Model Number for Use in Combination with Linear Bushing Units

Linear Bushing to be combined	Example of model No.	
Both end attached with seal	SH 13LUU	Standard stock
Without seal	SH 13L	Build to order
Made of stainless steel; both end attached with seal	SH 13MLUU	Build to order

**A4-106** **THK**

Download data by searching for the corresponding model number on the Technical Support site.

<https://tech.thk.com>



Unit: mm

							Model No. of Linear Bushing to be combined	Basic load rating		Unit
Center height J $\pm 0.02$	$W_1$ $\pm 0.02$	$d_2$	h	Inscribed bore diameter		C N		$C_0$ N	Mass g	
				dr	Tolerance					
9	5	4.2	1.5	3	0 -0.008	LM3U	139	216	8.6	
10	6	4.2	1.5	4		LM4U	139	254	14	
11	7	4.2	1.5	5		LM5U	263	412	22	
14	8	6.5	3.3	6	0 -0.009	LM6U	324	529	37	
16	10	6.5	3.3	8		LM8U	431	784	68	
19	13	8	4.4	10		LM10U	588	1100	125	
20	14	8	4.4	12		LM12U	657	1200	140	
21	15	8	4.4	13		LM13U	814	1570	176	
24	18	8	4.4	16		LM16U	1230	2350	309	
28	21	9.5	5.4	20		0 -0.010	LM20U	1400	2750	413

Options  $\Rightarrow$  A4-119

THK A4-107