

VHP DESCRIPTION

The filter series VHP have been developed for using on sanitary applications as filtration of beverages such as beer, wine, mineral water, soft-drinks.

DESIGN

Filter VHP has been designed in accordance to EN 13445 rule. The complete series is available with sizes from 1 cartridge to 30 cartridges and from 10" of 40" cartridges height. Cartridges socket connection is available for (226) Code7 Bayonet and (222) Code8 Single Open End. The housings of the series can be equipped on Inlet and Outlet with a wide range of connections as Clamp and DIN11851, other kind of connections can be supplied on request. Vent and Drains are available as standard solution with Sanitary Clamp TC 1.5", alternatively also with connections DIN11851 DN25. VHP is a high pressure series for not dangerous fluid, different category CE97/23 PED, based on filter housing size, permit a pressure range -1 to 10bar at 40°C and -1 to 4bar at 150°C.

CONSTRUCTION MATERIALS

VHP wetted parts are built in Stainless Steel AISI 316L.

GASKETS MATERIALS

VHP series is adaptable to several fluids. Gaskets can be requested in many kind of materials depending on the application. The standard gasket are in Silicone FDA Approved.

ATEX

VHP filter housing is ATEX certified. It doesn't require additional certification costs. The user manual shows all the ATEX rules information.

CERTIFICATES

As etched on the data label, VHP housings have been designed under CE 97/23 PED. From Roughness certificates to Material certificates, Alteco is able to supply all the additional documentation you require.

VENTS, DRAINS, IN/OUT CONNECTIONS FLEXIBILITY

Vents, drains and IN/OUT connections are fully adaptable. A wide range of vents, drains and IN/OUT connections can satisfy all your needs avoiding any kind of adapters.

PED CATEGORY

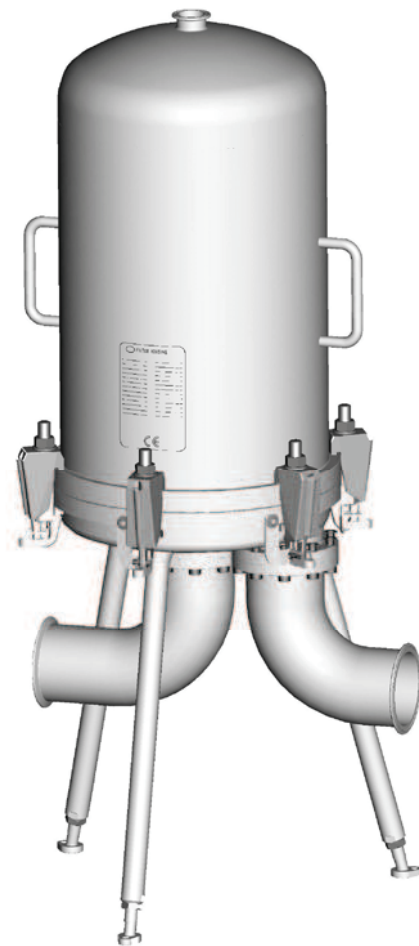
We can supply VHP filter housings in I, II, III PED category, basing on the pressure used during the filtration process.

PRESSURE TEST

Each VHP filter housing is tested to assure perfection and solidity of the welded joints, in order to gain a high safety level.

PRICE AND TECHNICAL SOLUTIONS

VHP series standard part number have most competitive price

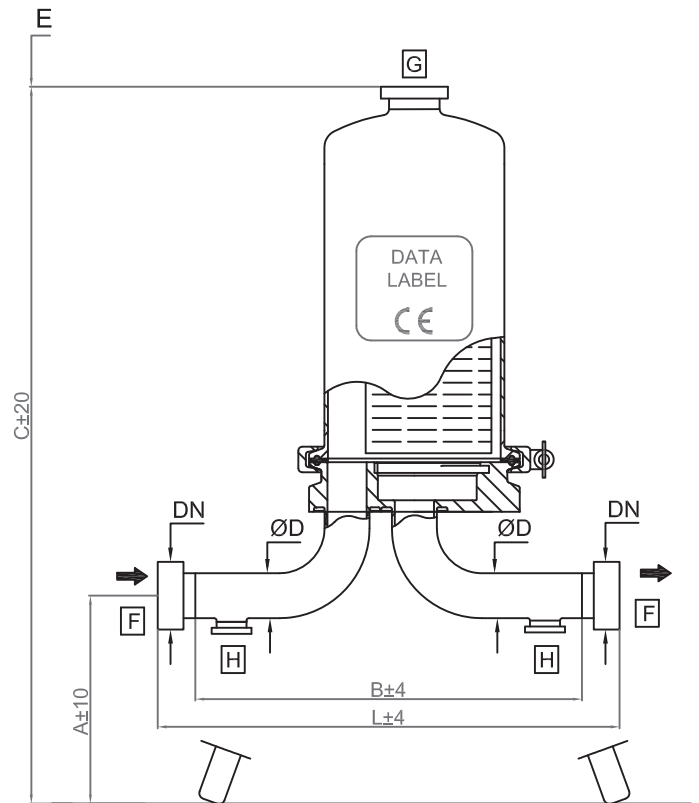
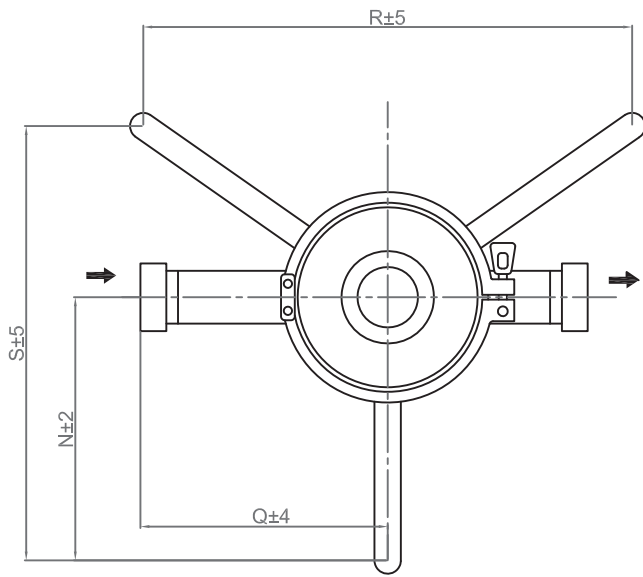
**FILTER HOUSING**

PART NUMBER	
MODEL	"Q"
TYPE	
CARTRIDGE NO. x HIGH (inch)	"N"
CATEGORY CE 97/23	
VOLUME LITRES (V)	
PRESSURE(PS) min-max at TS=-20 / 40°C bar	-1 ÷ 10 ⚠
PRESSURE(PS) min-max at TS=150°C bar	-1 ÷ 4 ⚠
TEST PRESSURE(PT) bar	
DESIGN TEMPERATURE (TS) min-max	
FLUID GROUP (PED CE 97/23)	2
VESSEL MATERIAL	316L / 1.4404
YEAR OF MANUFACTURE	
VESSEL NUMBER	
ATEX CLASSIFICATION	II 2 GD IIC
ATEX CERTIFICATION	04.01 EX.02-X

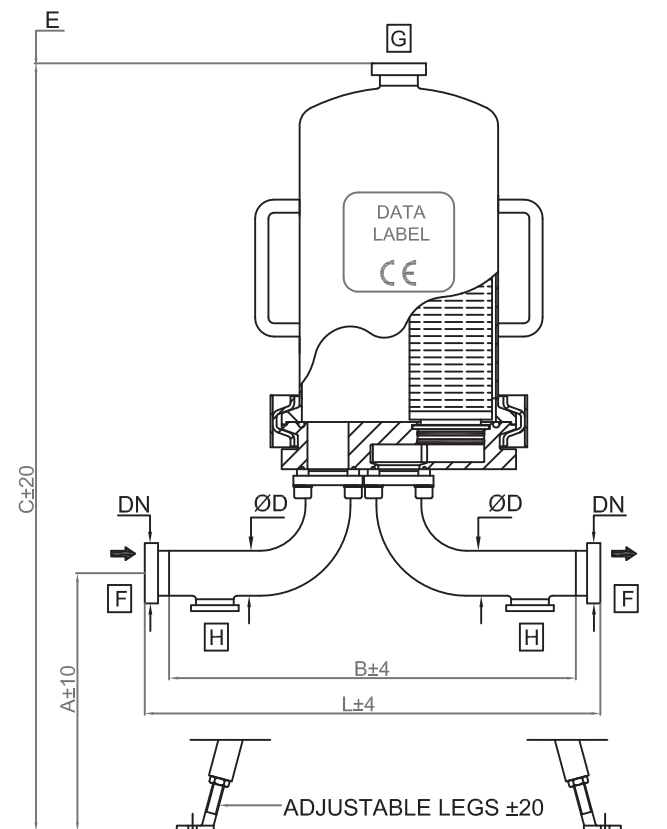
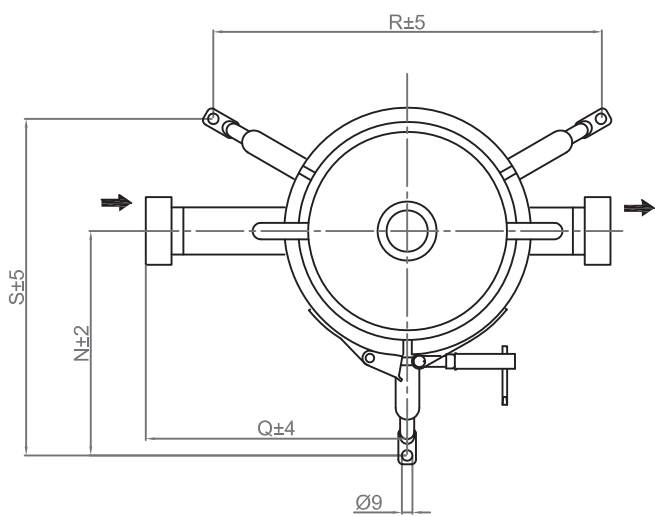
⚠ SEE USER MANUAL FOR MAX WORKING PRESSURE WITH NOT DANGEROUS GAS IN ACCORDANCE WITH CE 97/23

**DATA LABEL EXAMPLE**

VHP CARTRIDGES QUANTITY 01



VHP CARTRIDGES QUANTITY 03 - 05 - 08



DIMENSIONAL DATA

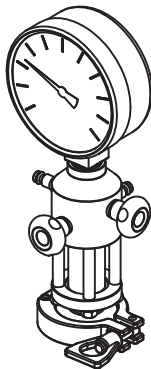
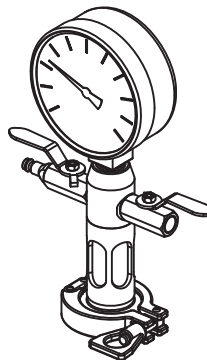
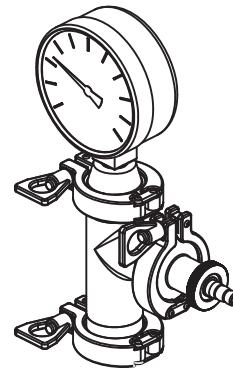
VESSEL MODEL (Q)	CARTRIDGE x HEIGHT (N)	R mm	S mm	N mm	C mm	E mm	VOLUME litres (V)	PED category
VHP011	01 x 10"	360	312	208	790	300	3.0	3.3
VHP012	01 x 20"	360	312	208	1040	550	4.8	3.3
VHP013	01 x 30"	360	312	208	1290	800	6.7	I
VHP014	01 x 40"	360	312	208	1540	1050	8.6	I
VHP031	03 x 10"	357	310	206	816	290	7.3	I
VHP032	03 x 20"	357	310	206	1065	540	12.6	I
VHP033	03 x 30"	357	310	206	1314	790	17.8	I
VHP034	03 x 40"	357	310	206	1564	1040	23.1	II
VHP051	05 x 10"	400	347	231	825	290	11	I
VHP052	05 x 20"	400	347	231	1075	540	20	II
VHP053	05 x 30"	400	347	231	1325	790	29.1	II
VHP054	05 x 40"	400	347	231	1575	1040	38.2	II
VHP081	08 x 10"	448	388	259	846	290	21.3	II
VHP082	08 x 20"	448	388	259	1096	540	35.5	II
VHP083	08 x 30"	448	388	259	1346	790	49.7	II
VHP084	08 x 40"	448	388	259	1596	1040	63.9	II
VHP121	12 x 10"	425	410	279	930	290	41	II
VHP122	12 x 20"	425	410	279	1180	540	66	II
VHP123	12 x 30"	425	410	279	1430	790	88	II
VHP124	12 x 40"	425	410	279	1680	1040	112	III
VHP181	18 x 10"	505	480	304	950	290	54	II
VHP182	18 x 20"	505	480	304	1200	540	85	II
VHP183	18 x 30"	505	480	304	1450	790	115	III
VHP184	18 x 40"	505	480	304	1700	1040	146	III
VHP241	24 x 10"	465	455	-	970	290	73	II
VHP242	24 x 20"	465	455	-	1220	540	112	III
VHP243	24 x 30"	465	455	-	1470	790	151	III
VHP244	24 x 40"	465	455	-	1720	1040	190	III
VHP301	30 x 10"	550	550	-	1000	290	118	III
VHP302	30 x 20"	550	550	-	1250	540	176	III
VHP303	30 x 30"	550	550	-	1500	790	235	III
VHP304	30 x 40"	550	550	-	1750	1040	293	III

DIMENSIONAL DATA STANDARD CONNECTION

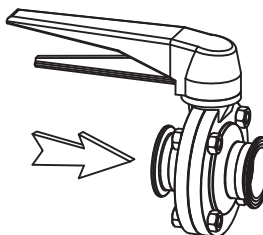
VESSEL MODEL (Q)	CLAMP							DIN 11851 MALE PART							BUTT WELD ASME BPE						
	WITHOUT DRAIN			WITH DRAIN				WITHOUT DRAIN			WITH DRAIN				WITHOUT DRAIN			WITH DRAIN			
	A	L	Q	A	L	Q	A	L	Q	A	L	Q	A	B	Q	A	B	Q			
VHP01	1.0"	381	188	103	381	269	154	DN25	381	220	118	381	300	169	25.4x1.65	381	163	90	381	244	141
	1.5"	354	220	122	354	370	198	DN40	354	258	144	354	415	220	38.1x1.65	354	194	112	354	345	185
VHP03	1.5"	345	310	147	345	385	223	DN40	345	351	168	345	426	243	38.1x1.65	345	285	135	345	360	210
VHP05	1.5"	345	330	167	345	405	243	DN40	345	371	188	345	446	263	38.1x1.65	345	305	155	345	380	230
	2.0"	315	378	196	315	445	263	DN50	315	423	218	315	490	285	50.8x1.65	315	353	183	315	420	250
VHP08	1.5"	345	356	193	345	431	269	DN40	345	397	214	345	472	289	38.1x1.65	345	331	181	345	406	256
	2.0"	315	404	222	315	471	289	DN50	315	449	244	315	516	311	50.8x1.65	315	379	209	315	446	273
	2.5"	286	467	242	286	547	323	DN65	286	522	270	286	602	350	63.5x1.65	286	442	230	286	552	310
	3.0"	258	523	270	258	603	351	DN80	258	498	303	258	668	383	76.2x1.65	258	498	258	258	578	338
VHP12	2.0"	350	477	238	350	544	238	DN50	350	519	259	350	586	259	50.8x1.65	350	451	225	350	518	225
	2.5"	326	493	225	326	573	225	DN65	326	547	252	326	627	252	63.5x1.65	326	467	212	326	547	212
	3.0"	298	549	253	298	629	253	DN80	317	603	246	317	683	246	76.2x1.65	298	523	240	298	603	240
	4.0"	290	529	243	290	609	243	DN100	290	527	202	290	687	282	101.6x2.11	290	483	210	290	583	230
VHP18	2.5"	325	509	225	325	589	225	DN65	325	564	252	325	644	252	63.5x1.65	325	482	212	325	564	212
	3.0"	297	565	253	297	645	253	DN80	316	620	276	316	700	276	76.2x1.65	297	540	240	297	620	240
	4.0"	287	552	246	287	632	246	DN100	287	544	262	287	704	282	101.6x2.11	292	604	314	292	600	230
															114.3x2.00 *	287	525	232	287	605	232
VHP24	2.5"	318	563	264	318	643	264	DN65	318	618	291	318	698	291	63.5x1.65	318	539	252	318	518	252
	3.0"	292	578	252	292	660	252	DN80	331	634	295	331	715	295	76.2x1.65	292	554	239	292	547	239
	4.0"	300	566	245	300	647	245	DN100	300	638	281	300	718	281	101.6x2.11	300	534	229	300	603	229
								DN125	253	701	314				114.3x2.00 *	286	559	252	286	583	252
															139.7x2.00 *	248	615	270			
VHP30	2.5"	318	664	330	318	744	330	DN65	318	719	357	318	799	357	63.5x1.65	318	639	317	318	719	317
	3.0"	292	685	323	292	765	323	DN80	331	740	356	331	820	356	76.2x1.65	292	660	310	292	740	310
	4.0"	300	662	306	300	742	306	DN100	300	734	342	300	814	342	101.6x2.11	300	630	290	300	710	290
															114.3x2.00 *	289	645	303	289	725	303
															139.7x2.00 *	251	671	291			
														168.3x2.00 *	210	747	328				

* ISO 1127-1

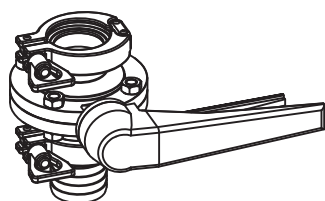
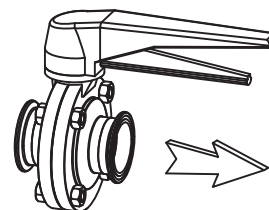
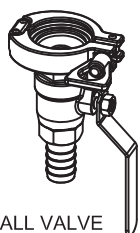
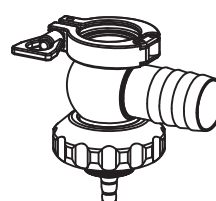
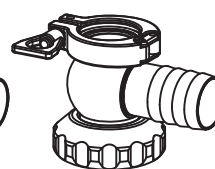
ACCESSORIES FOR VHP RANGE (01 - 30 CARTRIDGES)

1 SANITARY VALVE
6013000102 SANITARY VALVES
+ SIGHT GLASS
6013100101 BALL VALVE
6017000102 BALL VALVES
+ SIGHT GLASS
6017190101 SANITARY VALVE
DIAPHRAGM PRESS. GAUGE
601349010

BUTTERFLY VALVE



BUTTERFLY VALVE

BUTTERFLY VALVE
602320150BALL VALVE
602300150SAMPLING TEST
602310150ANGLE VALVE + SAMPLING
20087ANGLE VALVE
20085

SPARE PARTS - PARTI DI RICAMBIO - ERSATZTEILE - PIECES DE RECHANGE - PARTES DE CAMBIO

POS	DESCRIPTION	MATERIAL	Q.TY	PART NO.			
				VHP01	VHP03	VHP05	VHP08
1	HOUSING BOWL	AISI316L	1	—	—	—	—
2	PROTECTION PLATE	AISI316L	1	—	1043	1044	1045
ONLY FOR VHP01 222 COD8	2.1	PROTECTION RING	1	1879	—	—	—
	2.2	RETAINER SPRING	1	1878	—	—	—
3	VEE-BAND	AISI304	1	61155	20022	20023	20024
4	SEAL	SILICONE*	1	81297**	—	—	—
				80026S GASKET CLAMP 4.0"	80705S 05.34x158.11 6625	80774S 05.34x208.91 6820	80775S 05.34x266.06 61050
5	CARTRIDGE PLATE	AISI316L	1	—	1801	1803	—
6	GASKET CLAMP	PTFE	2	—	80057P	80022P	—
7	INLET ELBOW	AISI316L	—	ASK	FOR	PART	NUMBER
8	OUTLET ELBOW	AISI316L	—	ASK	FOR	PART	NUMBER
9	ELBOW FLANGE	AISI304	—	—	1705 _{2x}	1563 _{4x}	—
10	COMPLETE LEG	AISI304	3	1438	20304		
11	EXAGONAL NUT	AISI316L	—	—	80792 _{3x}	80792 _{3x}	80792 _{6x}
ONLY FOR 222-COD8	12	TIE BAR 10"	—	—	1880	1880	1880 _{2x}
		TIE BAR 20"	—	—	1546	1546	1546 _{2x}
		TIE BAR 30"	—	—	1547	1547	1547 _{2x}
		TIE BAR 40"	—	—	1548	1548	1548 _{2x}
13	TIE BAR SCREW	AISI316L	—	—	80794	80794	80794 _{2x}

* ASK FOR AVAILABLE MATERIALS

** ONLY FOR VHP01



81297. Clamp system available only for VHP01 with PTFE seal 80026P.

