

FDA



xirodur® B180 cage,
stainless steel balls



xirodur® B180 cage,
glass balls



PA cage,
stainless steel balls



PA cage,
glass balls

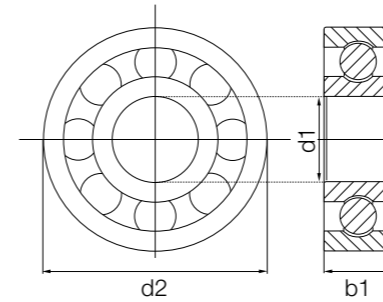
FDA



PE cage,
stainless steel balls



Also available with S180 races for visible parts
(xirodur® S180 and PA cage)



Order key

Type	Material
------	----------

BB-623-B180-10-ES

Ball bearings	Dimensions according to DIN 625-1	Race material	Cage material	Ball material
---------------	-----------------------------------	---------------	---------------	---------------

- Options:
- Cage material**
 - 10 = PA
 - 30 = xirodur® B180
 - 50 = PE
 - Ball material**
 - ES = Stainless steel
 - GL = Glass
 - Race material**
 - xirodur® B180
 - xirodur® S180



Imperial dimensions available ▶ Page 1611

Technical data

Installation size	Radial load capacity		Max. speed [rpm]	Weight				
	stat. [N]	dyn. [N]		B180/ES [g]	B180/GL [g]	PA/ES [g]	PA/GL [g]	PE/ES [g]
623	25	34	4,500	0.37	0.31	0.40	0.32	0.39
633	33	45	4,000	0.83	0.64	-	-	-
684	10	11	4,600	0.26	0.20	-	-	-
694	12	14	4,000	0.42	0.35	-	-	-
604	30	32	3,600	0.65	0.45	-	-	-
624	33	45	4,000	0.79	0.60	0.85	0.62	0.83
634	40	40	3,700	1.50	1.00	-	-	-
685	12	14	4,000	0.45	0.37	-	-	-
695	29	30	3,500	0.73	0.53	-	-	-
605	32	33	3,500	0.96	0.77	-	-	-
625	40	40	3,700	1.42	0.96	1.55	1.01	1.52
635	41	43	3,200	2.59	1.76	-	-	-
686	29	30	3,500	0.76	0.57	-	-	-
696	29	30	3,500	1.05	0.85	-	-	-
606	50	53	3,300	1.89	1.25	-	-	-
626	60	62	3,200	2.06	1.60	2.44	1.69	2.35
636	80	94	2,200	3.96	2.71	-	-	-
687	32	34	3,200	0.80	0.61	-	-	-
697	39	41	3,000	1.47	1.05	-	-	-
607	41	43	3,200	1.97	1.52	-	-	-
627	80	94	2,400	3.85	2.60	-	-	-
688	39	41	3,000	1.17	0.76	1.19	0.75	-
698	60	62	3,200	2.34	1.52	-	-	-
608	80	94	2,400	3.76	2.51	3.79	2.54	3.73



Order example:

BB-623-B180-10-ES = Radial deep groove ball bearing with race material xirodur® B180, PA cage and stainless steel balls



Available from stock

886 Online tools and more information ▶ www.igus.eu/xiros



3D CAD files, prices and delivery time online ▶ www.igus.eu/xiros 887

Technical data

Installation size	Radial load capacity		Max. speed [rpm]	Weight				
	stat. [N]	dyn. [N]		B180/ES [g]	B180/GL [g]	PA/ES [g]	PA/GL [g]	PE/ES [g]
628	100	110	2,300	5.57	3.4	–	–	–
638	110	130	2,200	7.82	5.65	–	–	–
689	40	42	2,500	1.30	0.88	–	–	–
699	43	45	2,250	2.08	1.66	–	–	–
609	100	110	2,300	5.12	2.95	–	–	–
629	110	128	2,200	6.20	4.03	6.14	–	–
6800	43	45	2,250	1.56	1.07	–	–	–
6900	60	64	2,000	3.24	2.04	–	–	–
6000	110	130	2,200	5.98	3.83	5.95	3.78	5.98
6200	130	147	2,000	9.32	6.56	9.26	6.51	–
6300	140	150	1,800	13.83	11.02	13.75	–	–
6701	16	18	2,200	0.68	0.57	–	–	–
6801	60	64	2,000	1.82	1.40	–	–	–
6901	80	83	1,800	3.12	2.10	–	–	–
6001	130	147	2,000	6.36	4.18	6.78	4.34	6.66
6201	140	150	1,800	10.04	7.25	9.97	7.12	–
6301	160	220	1,600	15.69	12.90	–	–	–
6702	19	21	1,800	0.94	0.81	–	–	–
6802	80	83	1,800	2.46	1.46	–	–	–
6902	90	94	1,700	4.37	3.12	–	–	–
6002	140	150	1,800	8.68	5.92	8.72	6.23	8.60
6202	160	220	1,600	11.71	8.96	12.26	9.11	12.10
6302	250	320	1,400	10.56	3.95	10.49	–	–
6703	23	25	1,600	0.66	–	–	–	–
6803	90	94	1,700	2.83	1.65	–	–	–
6903	90	94	1,700	–	0.79	–	–	–
6003	160	220	1,600	10.23	7.45	10.72	7.61	10.55
6203	250	320	1,400	19.36	12.75	17.45	12.68	–
6303	280	360	1,200	21.68	13.60	–	–	–
6704	30	36	1,400	1.39	1.17	–	–	–
6804	100	120	1,500	5.19	3.59	–	–	–
6904	140	144	1,150	9.76	–	–	–	–
6004	250	320	1,400	20.81	12.93	19.46	12.89	19.44
6204	280	360	1,200	30.22	22.14	28.87	22.33	–
6304	380	400	1,000	43.85	31.05	–	–	–
6705	32	38	1,200	1.58	1.40	–	–	–
6805	140	144	1,150	6.48	4.16	–	–	–
6905	160	162	900	4.49	4.49	–	–	–
6005	280	360	1,200	24.14	16.07	22.93	15.67	22.58
6205	310	370	1,000	35.99	27.92	34.82	27.51	–
6305	480	520	850	61.12	45.48	–	–	–



Order example:

BB-628-B180-30-ES = Radial deep groove ball bearing with race material xirodur® B180, xirodur® B180 cage and stainless steel balls

888 Online tools and more information ► www.igus.eu/xiros



Dimensions [mm]

Inner Ø d1	Outer Ø d2	Width b1	Cage/ball material combination					Part No.
			B180/ES	B180/GL	PA/ES	PA/GL	PE/ES	
8	24	8	●	●	–	–	–	BB-628-B180-30-□
8	28	9	●	●	–	–	–	BB-638-B180-30-□
9	17	5	●	●	–	–	–	BB-689-B180-30-□
9	20	6	●	●	–	–	–	BB-699-B180-30-□
9	24	7	●	●	–	–	–	BB-609-B180-30-□
9	26	8	●	●	●	–	–	BB-629-B180-□-□
10	19	5	●	●	–	–	–	BB-6800-B180-30-□
10	22	6	●	●	–	–	–	BB-6900-B180-30-□
10	26	8	●	●	●	●	●	BB-6000-B180-□-□
10	30	9	●	●	●	●	–	BB-6200-B180-□-□
10	35	11	●	●	●	–	–	BB-6300-B180-□-□
12	18	4	●	●	–	–	–	BB-6701-B180-30-□
12	21	5	●	●	–	–	–	BB-6801-B180-30-□
12	24	6	●	●	–	–	–	BB-6901-B180-30-□
12	28	8	●	●	●	●	●	BB-6001-B180-□-□
12	32	10	●	●	●	●	–	BB-6201-B180-□-□
12	37	12	●	●	–	–	–	BB-6301-B180-30-□
15	21	4	●	●	–	–	–	BB-6702-B180-30-□
15	24	5	●	●	–	–	–	BB-6802-B180-30-□
15	28	7	●	●	–	–	–	BB-6902-B180-30-□
15	32	9	●	●	●	●	●	BB-6002-B180-□-□
15	35	11	●	●	●	●	●	BB-6202-B180-□-□
15	42	13	●	●	●	–	–	BB-6302-B180-□-□
17	23	4	●	–	–	–	–	BB-6703-B180-30-ES
17	26	5	●	●	–	–	–	BB-6803-B180-30-□
17	30	7	–	●	–	–	–	BB-6903-B180-30-GL
17	35	10	●	●	●	●	●	BB-6003-B180-□-□
17	40	12	●	●	●	●	–	BB-6203-B180-□-□
17	47	14	●	●	–	–	–	BB-6303-B180-30-□
20	27	4	●	●	–	–	–	BB-6704-B180-30-□
20	32	7	●	●	–	–	–	BB-6804-B180-30-□
20	37	9	●	–	–	–	–	BB-6904-B180-30-ES
20	42	12	●	●	●	●	●	BB-6004-B180-□-□
20	47	14	●	●	●	●	–	BB-6204-B180-□-□
20	52	15	●	●	–	–	–	BB-6304-B180-30-□
25	32	4	●	●	–	–	–	BB-6705-B180-30-□
25	37	7	●	●	–	–	–	BB-6805-B180-30-□
25	42	9	●	●	–	–	–	BB-6905-B180-30-□
25	47	12	●	●	●	●	●	BB-6005-B180-□-□
25	52	15	●	●	●	●	–	BB-6205-B180-□-□
25	62	17	●	●	–	–	–	BB-6305-B180-30-□



Available from stock



3D CAD files, prices and delivery time online ► www.igus.eu/xiros 889

Technical data

Installation size	Radial load capacity		Max. speed [rpm]	Weight				
	stat. [N]	dyn. [N]		B180/ES [g]	B180/GL [g]	PA/ES [g]	PA/GL [g]	PE/ES [g]
6706	34	41	1,000	1.76	1.59	–	–	–
6806	160	162	900	4.49	1.82	–	–	–
6906	190	193	850	13.15	10.13	–	–	–
16006	380	420	900	–	–	28.53	17.33	–
6006	380	400	1,000	–	–	34.15	22.70	–
6206	480	520	850	55.89	39.73	–	–	–
6306	520	660	750	27.00	8.52	–	–	–
6007	480	520	850	–	–	47.29	30.71	–
6008	520	660	750	–	–	54.84	38.73	–
6009	660	690	650	–	–	33.52	57.52	–
6010	740	780	600	–	–	82.33	54.00	–
6011	930	950	550	–	–	119.64	75.80	–
6012	990	1,050	500	–	–	126.66	80.54	–

Dimensions [mm]

Inner Ø d1	Outer Ø d2	Width b1	Cage/ball material combination					Part No.
			B180/ES	B180/GL	PA/ES	PA/GL	PE/ES	
30	37	4	●	●	–	–	–	BB-6706-B180-30- <input type="text"/>
30	42	7	●	●	–	–	–	BB-6806-B180-30- <input type="text"/>
30	47	9	●	●	–	–	–	BB-6906-B180-30- <input type="text"/>
30	55	9	–	–	●	●	–	BB-16006-B180-10- <input type="text"/>
30	55	13	–	–	●	●	–	BB-6006-B180-10- <input type="text"/>
30	62	16	●	●	–	–	–	BB-6206-B180-30- <input type="text"/>
30	72	19	●	●	–	–	–	BB-6306-B180-30- <input type="text"/>
35	62	14	–	–	●	●	–	BB-6007-B180-10- <input type="text"/>
40	68	15	–	–	●	●	–	BB-6008-B180-10- <input type="text"/>
45	75	16	–	–	●	●	–	BB-6009-B180-10- <input type="text"/>
50	80	16	–	–	●	●	–	BB-6010-B180-10- <input type="text"/>
55	90	18	–	–	●	●	–	BB-6011-B180-10- <input type="text"/>
60	95	18	–	–	●	●	–	BB-6012-B180-10- <input type="text"/>



Order example:

BB-6706-B180-30-ES = Thin ring bearing with race material xirodur® B180, xirodur® B180 cage and stainless steel balls



Available from stock

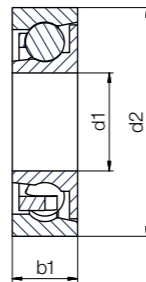
890 Online tools and more information ► www.igus.eu/xiros



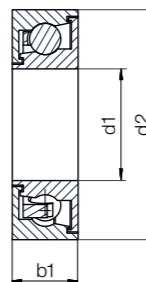
3D CAD files, prices and delivery time online ► www.igus.eu/xiros 891



PA cage, with shield on one side stainless steel or glass balls



B180 cage, with labyrinth seal, stainless steel balls



Technical data

Installation size	Radial load capacity		Max. speed [rpm]	Weight	
	stat. [N]	dyn. [N]		stainless steel [g]	glass [g]
623	10	25	4,500	0.41	0.33
626	41	43	3,200	2.56	1.71
608	80	94	2,200	3.93	2.67
6000	110	130	2,200	6.21	4.15
6001	138	147	2,000	7.09	4.61
6202	142	155	1,700	12.73	9.63
6003	160	220	1,600	11.12	8.03
6004	250	320	1,400	20.20	13.60
6005	280	360	1,200	23.89	16.51

With labyrinth seal

Installation size	Radial load capacity		Max. speed [rpm]	Weight	
	stat. [N]	dyn. [N]		stainless steel [g]	glass [g]
6003	160	220	1,600	11.02	8.27



Order example:

BB-623-B180-10-ES-C = Radial deep groove ball bearing with race material xirodur® B180, PA cage, stainless steel balls and shield

892 Online tools and more information ► www.igus.eu/xiros



Order key

Type	Material
Ball bearings	Options: Cage material 10 = PA 30 = xirodur® B180 Ball material ES = Stainless steel GL = Glass Shield or labyrinth seal C = One-sided shield LCC = Labyrinth seal
Dimensions according to DIN 625-1	
Race material	
Cage material	
Ball material	
With shield	

Dimensions [mm]

Inner Ø d1	Outer Ø d2	Width b1	Cage/ball material combination		Part No.
			PA/ES	PA/GL	
3	10	4	●	●	BB-623-B180-10-□-C
6	19	6	●	●	BB-626-B180-10-□-C
8	22	7	●	●	BB-608-B180-10-□-C
10	26	8	●	●	BB-6000-B180-10-□-C
12	28	8	●	●	BB-6001-B180-10-□-C
15	35	11	●	●	BB-6202-B180-10-□-C
17	35	10	●	●	BB-6003-B180-10-□-C
20	42	12	●	●	BB-6004-B180-10-□-C
25	47	12	●	●	BB-6005-B180-10-□-C

Dimensions [mm]

Inner Ø d1	Outer Ø d2	Width b1	Cage/ball material combination		Part No.
			B180/ES	B180/GL	
17	35	10	●	●	BB-6003-B180-30-□-LCC



Available from stock



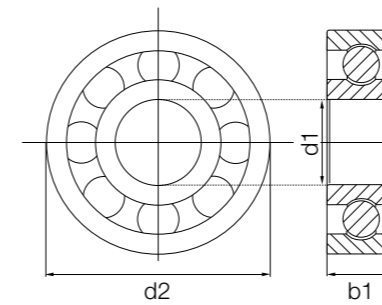
3D CAD files, prices and delivery time online ► www.igus.eu/xiros 893



PP cage,
stainless steel
balls



PP cage,
glass balls



Order key

Type	Material
BB-623-C160-20-ES	
Ball bearings	
Dimensions according to DIN 625-1	
Race material	
Cage material	
Ball material	

Cage material
20 = PP

Options:
Ball material
ES = Stainless steel
GL = Glass

Technical data

Installation size	Radial load capacity		Max. speed [rpm]	Weight	
	stat. [N]	dyn. [N]		PP/ES [g]	PP/GL [g]
623	10	11	4,000	0.35	0.26
624	12	13	3,650	–	–
625	20	22	3,100	–	0.21
635	30	31	2,900	1.76	1.03
626	30	34	2,600	2.15	1.43
636	40	42	2,050	2.06	–
627	40	43	2,000	–	–
688	20	21	2,750	1.06	0.24
608	40	46	2,200	3.37	2.21
628	57	61	1,800	–	–
638	60	62	1,670	6.27	4.10
629	60	63	1,680	–	–
6800	20	24	2,100	–	–
6000	60	65	1,700	5.48	3.33
6200	78	81	1,540	7.50	4.71
6801	30	32	1,920	0.84	0.92
6001	70	74	1,580	6.59	3.80
6201	80	83	1,260	–	–
6802	40	43	1,700	–	0.46
6002	80	85	1,500	5.72	4.86
6202	80	85	1,130	–	–
6803	50	51	1,650	–	–
6003	90	96	1,300	9.10	6.22
6203	140	142	1,010	–	–
6804	50	54	1,480	–	–



Order example:

BB-623-C160-20-ES = Radial deep groove ball bearing with race material xirodur® C160, PP cage and stainless steel balls

894 Online tools and more information ► www.igus.eu/xiros



Available from stock

Upon request



3D CAD files, prices and delivery time online ► www.igus.eu/xiros 895

Technical data

Installation size	Radial load capacity		Max. speed [rpm]	Weight	
	stat. [N]	dyn. [N]		PP/ES [g]	PP/GL [g]
6004	140	142	1,000	17.81	11.20
6204	140	145	950	22.85	4.89
6805	80	82	1,075	–	–
6005	140	151	960	20.63	13.29
6205	170	181	810	26.70	4.89

Dimensions [mm]

Inner Ø d1	Outer Ø d2	Width b1	Cage/ball material combination		Part No.
			PP/ES	PP/GL	
20	42	12	●	●	BB-6004-C160-20- <input type="text"/>
20	47	14	●	●	BB-6204-C160-20- <input type="text"/>
25	37	7	●	●	BB-6805-C160-20- <input type="text"/>
25	47	12	●	●	BB-6005-C160-20- <input type="text"/>
25	52	15	●	●	BB-6205-C160-20- <input type="text"/>



Order example:

BB-6004-C160-20-ES = Radial deep groove ball bearing with race material xirodur® C160, PP cage and stainless steel balls



Available from stock

Upon request

896 Online tools and more information ► www.igus.eu/xiros



3D CAD files, prices and delivery time online ► www.igus.eu/xiros 897



PA cage,
stainless steel balls



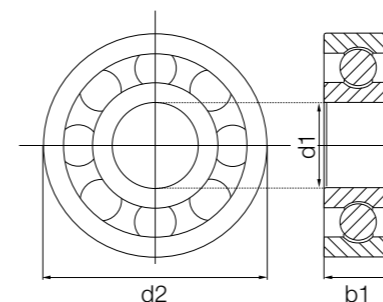
PEEK cage,
stainless steel balls



PEEK cage,
glass balls



PEEK cage,
PAI balls



Order key

Type	Material
Ball bearings	Dimensions according to DIN 625-1
Race material	Cage material
	Ball material

BB-623-A500-10-ES

Options:

- Cage material
 - 10 = PA
 - 70 = PEEK
- Ball material
 - ES = Stainless steel
 - GL = Glass
 - PAI = Polyamide-imide

Technical data

Installation size	Radial load capacity				Max. speed [rpm]	Weight			
	stat. [N]	dyn. [N]	stat. PEEK/PAI [N]	dyn. PEEK/PAI [N]		PA/stainless steel [g]	PEEK/stainless steel [g]	PEEK/glass [g]	PEEK/PAI [g]
623	27	30	-	-	5,000	0.4	0.4	0.3	-
624	30	40	-	-	4,500	1.9	1.0	0.9	-
625	36	43	-	-	3,700	-	-	-	-
635	48	52	-	-	3,400	-	-	-	-
626	54	60	15	20	3,400	2.3	2.3	1.6	1.4
636	72	76	-	-	2,450	-	-	-	-
627	72	74	-	-	2,600	-	-	-	-
688	36	38	-	-	3,150	-	-	-	-
608	72	78	18	25	2,700	3.7	3.7	2.4	2.2
628	98	104	-	-	2,500	-	-	-	-
638	102	108	-	-	2,300	-	-	-	-
629	102	112	-	-	2,350	-	-	-	-
6800	42	46	-	-	2,300	-	-	-	-
6000	102	107	25	34	2,100	6.0	6.0	3.8	3.4
6200	126	132	-	-	2,100	-	-	-	-
6801	54	57	-	-	2,150	-	-	-	-
6001	105	124	-	-	2,040	-	-	-	-
6201	132	141	-	-	1,820	-	-	-	-
6802	72	76	-	-	1,920	-	-	-	-
6002	132	145	32	41	1,900	9.1	9.1	5.2	5.6
6202	135	146	-	-	1,600	-	-	-	-
6803	84	84	-	-	1,760	-	-	-	-
6003	138	152	-	-	1,790	-	-	-	-
6203	228	232	-	-	1,450	-	-	-	-

Order example:
BB-623-A500-10-ES = Radial deep groove ball bearing with race material xirodur® A500, PA cage and stainless steel balls

Dimensions [mm]

Inner Ø	Outer Ø	Width	Cage/ball material combination				Part No.
			PA/ES	PEEK/ES	PEEK/GL	PEEK/PAI	
d1	d2	b1					
3	10	4	●	●	●	-	BB-623-A500-□-□
4	13	5	●	●	●	-	BB-624-A500-□-□
5	16	5	●	●	●	-	BB-625-A500-□-□
5	19	6	●	●	●	-	BB-635-A500-□-□
6	19	6	●	●	●	●	BB-626-A500-□-□
6	22	7	●	●	●	-	BB-636-A500-□-□
7	22	7	●	●	●	-	BB-627-A500-□-□
8	16	5	●	●	●	-	BB-688-A500-□-□
8	22	7	●	●	●	●	BB-608-A500-□-□
8	24	8	●	●	●	-	BB-628-A500-□-□
8	28	9	●	●	●	-	BB-638-A500-□-□
9	26	8	●	●	●	-	BB-629-A500-□-□
10	19	5	●	●	●	-	BB-6800-A500-□-□
10	26	8	●	●	●	●	BB-6000-A500-□-□
10	30	9	●	●	●	-	BB-6200-A500-□-□
12	21	5	●	●	●	-	BB-6801-A500-□-□
12	28	8	●	●	●	●	BB-6001-A500-□-□
12	32	10	●	●	●	-	BB-6201-A500-□-□
15	24	5	●	●	●	-	BB-6802-A500-□-□
15	32	9	●	●	●	●	BB-6002-A500-□-□
15	35	11	●	●	●	-	BB-6202-A500-□-□
17	26	5	●	●	●	-	BB-6803-A500-□-□
17	35	10	●	●	●	●	BB-6003-A500-□-□
17	40	12	●	●	●	-	BB-6203-A500-□-□

Available from stock
 Upon request

898 Online tools and more information ► www.igus.eu/xiros



3D CAD files, prices and delivery time online ► www.igus.eu/xiros 899

Technical data

Installation size	Radial load capacity				Max. speed [rpm]	Weight			
	stat. [N]	dyn. [N]	PEEK/PAI			PA/ stainless steel [g]	PEEK/ stainless steel [g]	PEEK/ glass [g]	PEEK/ PAI [g]
			stat. [N]	dyn. [N]					
6804	90	93	–	–	1,560	–	–	–	–
6004	234	250	62	88	1,700	19.7	19.7	13.2	11.7
6204	234	238	–	–	1,270	–	–	–	–
6805	132	135	–	–	980	–	–	–	–
6005	405	420	–	–	1,500	–	–	–	–
6205	422	440	–	–	1,100	–	–	–	–

Dimensions [mm]

Inner ∅ d1	Outer ∅ d2	Width b1	Cage/ball material combination				Part No.
			PA/ES	PEEK/ES	PEEK/GL	PEEK/PAI	
20	32	7	●	●	●	–	BB-6804-A500- <input type="checkbox"/> - <input type="checkbox"/>
20	42	12	●	●	●	●	BB-6004-A500- <input type="checkbox"/> - <input type="checkbox"/>
20	47	14	●	●	●	–	BB-6204-A500- <input type="checkbox"/> - <input type="checkbox"/>
25	37	7	●	●	●	–	BB-6805-A500- <input type="checkbox"/> - <input type="checkbox"/>
25	47	12	●	●	●	●	BB-6005-A500- <input type="checkbox"/> - <input type="checkbox"/>
25	52	15	●	●	●	–	BB-6205-A500- <input type="checkbox"/> - <input type="checkbox"/>



Order example:

BB-623-A500-10-ES = Radial deep groove ball bearing with race material xirodur® A500, PA cage and stainless steel balls



Available from stock

Upon request

900 Online tools and more information ► www.igus.eu/xiros



3D CAD files, prices and delivery time online ► www.igus.eu/xiros 901



PA cage,
stainless steel balls



PE cage,
stainless steel balls



Special designs
made from
xirodur® F180
► Page 910

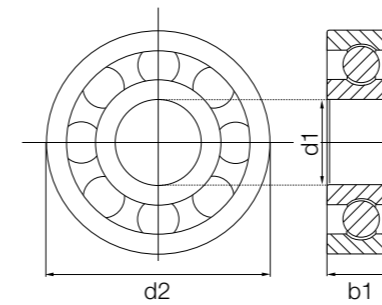
Technical data

Installation size	Radial load capacity		Max. speed [rpm]	Weight	
	stat. [N]	dyn. [N]		PA/ES [g]	PE/ES [g]
623	10	25	4,500	0.39	0.39
624	20	33	4,000	0.83	0.82
625	40	40	3,700	1.54	1.50
626	41	43	3,200	2.50	2.36
608	80	94	2,200	3.79	3.67
6000	110	130	2,200	5.86	5.76
6001	138	147	2,000	6.72	6.62
6002	140	150	1,800	8.59	8.50
6003	160	220	1,600	10.53	10.39
6004	250	320	1,400	19.24	19.18
6005	280	360	1,200	22.43	22.04



Order example:
BB-623-F180-10-ES = Radial deep groove ball bearing with race material xirodur® F180, PA cage and stainless steel balls

902 Online tools and more information ► www.igus.eu/xiros



Order key

Type	Material
Ball bearings	Dimensions according to DIN 625-1
Race material	Cage material
	Ball material

Options:
Cage material
 10 = PA
 50 = PE
Ball material
 ES = Stainless steel

Dimensions [mm]

Inner Ø d1	Outer Ø d2	Width b1	Cage/ball material combination		Part No.
			PA/ES	PE/ES	
3	10	4	●	●	BB-623-F180- <input type="text"/> -ES
4	13	5	●	●	BB-624-F180- <input type="text"/> -ES
5	16	5	●	●	BB-625-F180- <input type="text"/> -ES
6	19	6	●	●	BB-626-F180- <input type="text"/> -ES
8	22	7	●	●	BB-608-F180- <input type="text"/> -ES
10	26	8	●	●	BB-6000-F180- <input type="text"/> -ES
12	28	8	●	●	BB-6001-F180- <input type="text"/> -ES
15	32	9	●	●	BB-6002-F180- <input type="text"/> -ES
17	35	10	●	●	BB-6003-F180- <input type="text"/> -ES
20	42	12	●	●	BB-6004-F180- <input type="text"/> -ES
25	47	12	●	●	BB-6005-F180- <input type="text"/> -ES



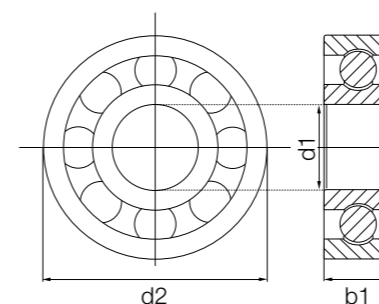
Available
from stock



3D CAD files, prices and delivery time online ► www.igus.eu/xiros 903



PA cage,
stainless steel balls



Order key

Type	Material
BB-608-F182-10-ES	
Ball bearings	
Dimensions according to DIN 625-1	
Race material	
Cage material	
Ball material	
	Cage material 10 = PA Ball material ES = Stainless steel

Technical data

Installation size	Radial load capacity		Max. speed [rpm]	Weight PA/ES [g]
	stat. [N]	dyn. [N]		
608	80	94	2,200	–
6000	110	130	2,200	–
6001	138	147	2,000	4.31

Dimensions [mm]

Inner Ø d1	Outer Ø d2	Width b1	Cage/ball material combination PA/ES	Part No.
8	22	7	●	BB-608-F182-10-ES
10	26	8	●	BB-6000-F182-10-ES
12	28	8	●	BB-6001-F182-10-ES



Order example:

BB-608-F182-10-ES = Radial deep groove ball bearing with race material xirodur® F182, PA cage and stainless steel balls



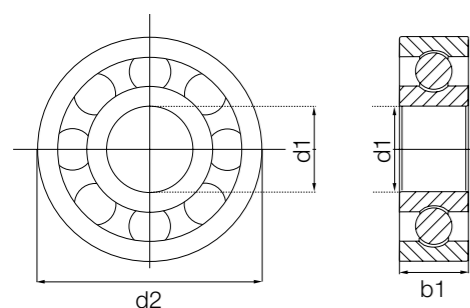
Available from stock

Upon request

904 Online tools and more information ► www.igus.eu/xiros



3D CAD files, prices and delivery time online ► www.igus.eu/xiros 905

PA cage,
stainless steel balls

Order key

Type Material

BB-623-D180-10-ES



Cage material

10 = PA

Ball material

ES = Stainless steel

Technical data

Installation size	Radial load capacity		Max. speed [rpm]	Weight PA/ES [g]
	stat. [N]	dyn. [N]		
623	7	12	5,500	0.40
626	13	18	4,500	2.00
608	20	32	4,300	3.70
6000	28	36	4,200	5.78
6001	32	49	4,000	6.55
6002	44	50	3,870	8.26

Dimensions [mm]

Inner Ø d1	Outer Ø d2	Width b1	Cage/ball material combination PA/ES	Part No.
3	10	4	●	BB-623-D180-10-ES
6	19	6	●	BB-626-D180-10-ES
8	22	7	●	BB-608-D180-10-ES
10	26	8	●	BB-6000-D180-10-ES
12	28	8	●	BB-6001-D180-10-ES
15	32	9	●	BB-6002-D180-10-ES

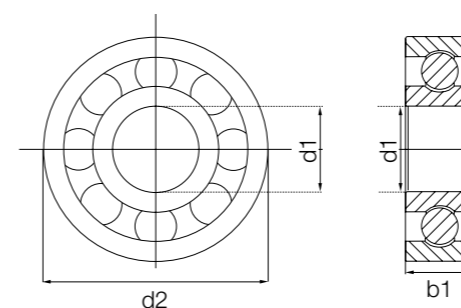


Order example:

BB-623-D180-10-ES = Radial deep groove ball bearing with race material xirodur® D180, PA cage and stainless steel balls



Upon request

906 Online tools and more information ► www.igus.eu/xirosxirodur® M180 cage,
stainless steel balls

Order key

Type Material

BB-6000-M180-40-ES



Cage material

40 = xirodur® M180

Ball material

ES = Stainless steel

Technical data

Installation size	Radial load capacity		Max. speed [rpm]	Weight M180/ES [g]
	stat. [N]	dyn. [N]		
6000	85	119	1,900	6.53
6003	180	250	1,400	11.01

Dimensions [mm]

Inner Ø d1	Outer Ø d2	Width b1	Part No.
10	26	8	BB-6000-M180-40-ES
17	35	10	BB-6003-M180-40-ES



Order example:

BB-6000-M180-40-ES = Radial deep groove ball bearing with race material xirodur® M180, M180 cage and stainless steel balls

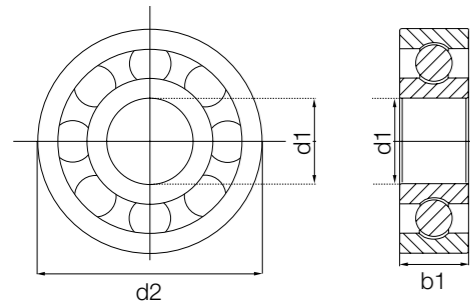


Upon request

3D CAD files, prices and delivery time online ► www.igus.eu/xiros 907



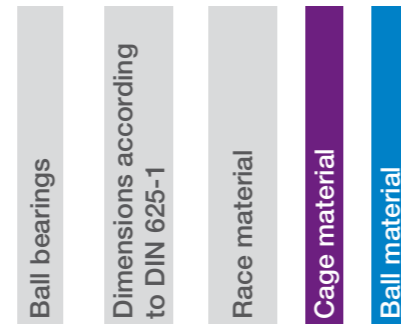
PP cage,
stainless steel balls



Order key

Type Material

BB-6002-T220-20-ES



Cage material

20 = PP

Ball material

ES = Stainless steel

Technical data

Installation size	Radial load capacity		Max. speed [rpm]	Weight PP/ES [g]
	stat. [N]	dyn. [N]		
6002	130	160	1,200	8.36

Dimensions [mm]

Inner Ø d1	Outer Ø d2	Width b1	Part No.
15	32	9	BB-6002-T220-20-ES



Order example:

BB-6002-T220-20-ES = Radial deep groove ball bearing with race material xirodur® T220, PP cage and stainless steel balls

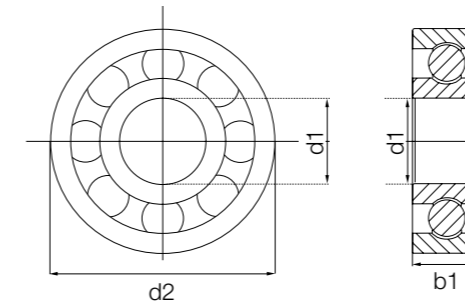


Upon request

908 Online tools and more information ► www.igus.eu/xiros



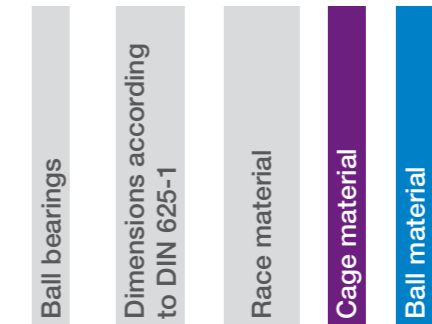
PA cage,
stainless steel balls



Order key

Type Material

BB-6000-G220-10-ES



Cage material

10 = PA

Ball material

ES = Stainless steel

Technical data

Installation size	Radial load capacity		Max. speed [rpm]	Weight PA/ES [g]
	stat. [N]	dyn. [N]		
6000	95	110	2,000	5.49

Dimensions [mm]

Inner Ø d1	Outer Ø d2	Width b1	Part No.
10	26	8	BB-6000-G220-10-ES



Order example:

BB-6000-G220-10-ES = Radial deep groove ball bearing with race material xirodur® G220, PA cage and stainless steel balls



Upon request

3D CAD files, prices and delivery time online ► www.igus.eu/xiros 909



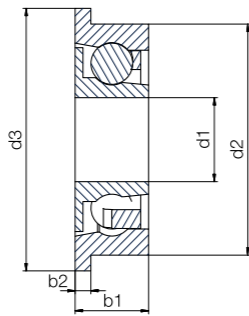
Single flange with shield



xirodur® B180, PA cage, stainless steel balls



xirodur® S180, PA cage, stainless steel balls



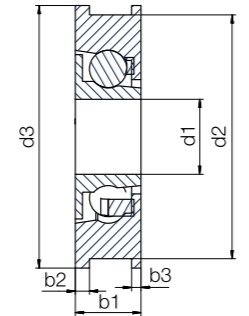
Double flange with shield



xirodur® B180 races PA cage, stainless steel or glass balls



xirodur® F180 races PA cage, stainless steel balls



Technical data

Installation size	Double flange	Radial load capacity		Max. speed [rpm]	Weight				
		stat. [N]	dyn. [N]		PA/ES [g]	B180 PA/GL [g]	B180/ES [g]	F180 PA/ES [g]	S180 PA/ES [g]
Radial deep groove ball bearing with single flange with shield for guide roller									
626	-	60	62	3,200	-	-	-	-	1.32
688	-	39	41	3,000	-	-	-	-	0.66
608	-	80	94	2,400	-	-	-	-	2.00
608	-	80	94	2,200	5.55	-	-	-	-
6000	-	110	130	1,900	7.55	-	-	-	-
6000	-	110	130	1,900	10.06	-	-	-	-
6001	-	130	147	1,750	7.53	5.09	-	-	-
6001	-	130	147	1,750	12.02	-	-	-	-
6002	-	140	150	1,600	11.44	-	-	-	-
6003	-	160	220	1,550	11.42	-	-	-	-
6004	-	250	320	1,400	-	-	16.36	-	-
6004	-	250	320	1,400	-	-	29.60	-	-
Radial deep groove ball bearing with single or double flange and shields									
608	-	80	94	2,200	5.69	4.47	-	5.49	-
608	●	80	94	2,200	5.82	5.93	-	5.61	-



Order example:

BB-6000F2830-B180-10-ES = Radial deep groove ball bearing with single flange for system solution BBT (guide roller), race material xirodur® B180 with PA cage and stainless steel balls

910 Online tools and more information ► www.igus.eu/xiros



Order key with single flange

Type	Material
BB-6000 F 2830 B180-10-ES	
Ball bearings	
Dimensions according to DIN 625-1	
Single flange	
Outer Ø [mm]	
Race material	
Cage material	
Ball material	



Also available as complete system solution ► Page 912



Order key with double flange

Type	Material	Design
BB-608 FF B180-10-ES-CC		
Ball bearings		
Dimensions according to DIN 625-1		
Double flange		
Race material		
Cage material		
Ball material		
Double shield		

Flange
 F = Single flange
 FF = Double flange
 Race material
 F180 = xirodur® F180
 B180 = xirodur® B180
 S180 = xirodur® S180
 Cage material
 10 = PA
 30 = xirodur® B180
 Ball material
 ES = Stainless steel
 GL = Glass
 Shield
 C = With shield
 CC = Double shield

Dimensions [mm]

Inner Ø	Outer Ø	Width	Cage/ball material combination			Part No.
			B180 PA/GL	F180 PA/ES	S180 PA/ES	
d1	d2	d3	b1	b2	PA/ES	PA/GL B180/ES PA/ES PA/ES
6.0	19.0	22.0	6.0	1.5	-	● BB-626F-S180-10-ES-C
8.0	16.0	18.0	5.0	1.0	-	● BB-688F-S180-10-ES-C
8.0	22.0	25.0	7.0	1.5	-	● BB-608F-S180-10-ES-C
8.0	28.0	30.0	7.0	2.0	●	BB-608F2830-B180-10-ES
10.0	28.0	30.0	9.0	2.0	●	BB-6000F2830-B180-10-ES
10.0	35.0	38.0	9.0	2.0	●	BB-6000F3538-B180-10-ES
12.0	28.0	30.0	9.0	2.0	●	BB-6001F2830-B180-10-ES
12.0	35.0	38.0	9.0	2.0	●	BB-6001F3538-B180-10-ES
15.0	35.0	38.0	9.0	2.0	●	BB-6002F3538-B180-10-ES
17.0	35.0	38.0	10.0	2.0	●	BB-6003F3538-B180-10-ES
20.0	46.0	50.0	12.0	2.0	-	● BB-6004F4650G-B180-30-ES
20.0	56.0	60.0	12.0	2.0	-	● BB-6004F5660G-B180-30-ES
8.0	26.0	28.0	8.5	1.5	● ●	BB-608F-□-10-□-CC
8.0	26.0	28.0	7.0	1.5/1.0 (b3)	● ●	BB-608FF-□-10-□-CC



Available from stock



3D CAD files, prices and delivery time online ► www.igus.eu/xiros 911