

# AI JET2

## 3/2 - 5/2 - 5/3 Valves with panel operation

- Light with compact design
  - Low operating force and high response time
  - M5 threaded connections or push-in fitting tube Ø4
  - Wide range of actuators and manual overrides for panel mounting
- UNIVER Original

Available ATEX version upon request

CE II 2Gc IIC T5 II 2Dc T100°C



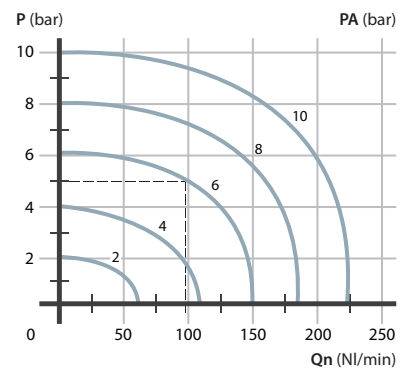
### TECHNICAL CHARACTERISTICS

Ambient temperature	-10 ÷ +90 °C
Fluid temperature	max +50 °C
Fluid	50 µm filtered air, with or without lubrication
Commutation system	poppet
Ways/Positions	<b>2/2 NC, 3/2 NC, 3/2 NO</b>
Pressure	max 10 bar
Control	manual, mechanical
Return	mechanical spring
Connections	M5, tube Ø4
Nominal Ø	2,5 mm
Nominal flow rate (NI/min)	70 NI/min

### CONSTRUCTIVE CHARACTERISTICS

Valve body	zamak
Seals	nitrile rubber
Spool	nickel-plated brass

### Flow rate characteristics

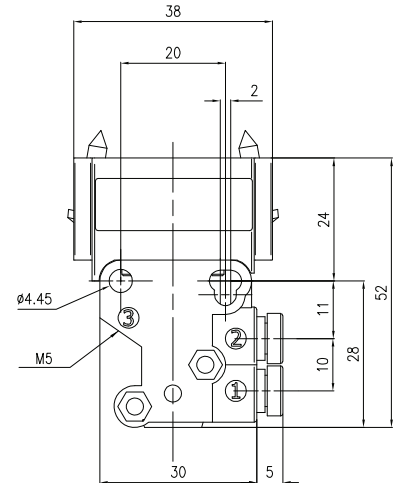
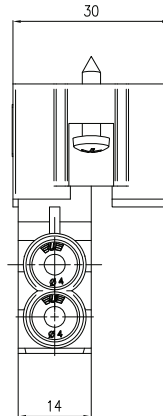


P = Working pressure  
 PA = Supply pressure  
 Qn = Flow rate

2/2 - 3/2 Mechanical push button for panel mounting - tube Ø4



	Symbol	Connection	Weight Kg	Part no.
3/2 NC		tube Ø4	0,075	AI-9500B
3/2 NO		tube Ø4	0,075	AI-9510B
2/2 NC		tube Ø4	0,075	AI-9520B

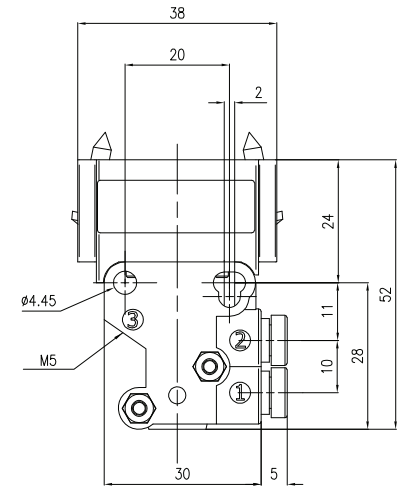
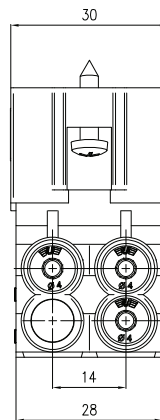


5/2 - 5/3 Mechanical push button for panel mounting - tube Ø4



	Symbol	Connection	Weight Kg	Part no.
5/2		tube Ø4	0,15	AI-9550B
5/3 o.c.		tube Ø4	0,15	AI-9560B
5/3 p.c.		tube Ø4	0,15	AI-9570B

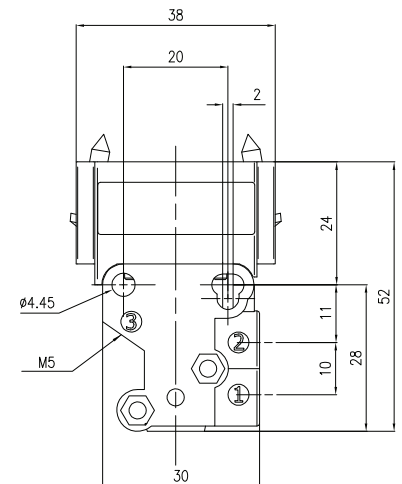
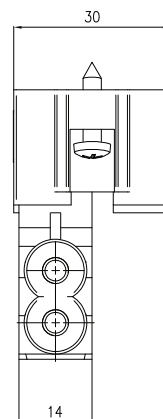
o.c. = open centres p.c. = pressurized centres



2/2 - 3/2 Mechanical push button for panel mounting - M5



	Symbol	Connection	Weight Kg	Part no.
3/2 NC		M5	0,075	AI-9500BM
3/2 NO		M5	0,075	AI-9510BM
2/2 NC		M5	0,075	AI-9520BM



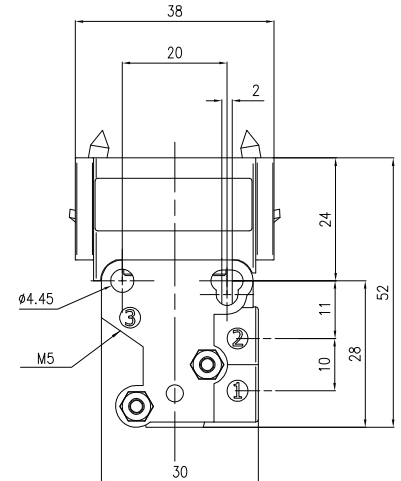
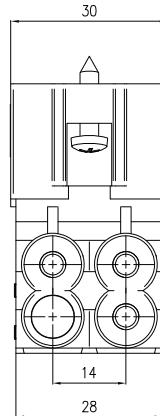
3

5/2 - 5/3 Mechanical push button for panel mounting - M5



	Symbol	Connection	Weight Kg	Part no.
5/2		M5	0,15	AI-9550BM
5/3 o.c.		M5	0,15	AI-9560BM
5/3 p.c.		M5	0,15	AI-9570BM

o.c. = open centres p.c. = pressurized centres



MANUAL ACTUATORS

	Recessed button	<ul style="list-style-type: none"> <li>■ BLACK AI-35B10N</li> <li>■ RED AI-35B10R</li> <li>■ GREEN AI-35B10V</li> </ul>
	Protruding button	<ul style="list-style-type: none"> <li>■ BLACK AI-35B11N</li> <li>■ RED AI-35B11R</li> <li>■ GREEN AI-35B11V</li> </ul>
	Two-position head button	<ul style="list-style-type: none"> <li>■ BLACK AI-35B13N</li> <li>■ RED AI-35B13R</li> </ul>
	Short lever selector	<ul style="list-style-type: none"> <li>■ BLACK AI-35B20 2 steady positions</li> </ul>
		<ul style="list-style-type: none"> <li>■ BLACK AI-35B21 3 unsteady positions</li> </ul>
		<ul style="list-style-type: none"> <li>■ BLACK AI-35B22 3 steady positions</li> </ul>
	Long lever selector	<ul style="list-style-type: none"> <li>■ BLACK AI-35B25 2 steady positions</li> </ul>
		<ul style="list-style-type: none"> <li>■ BLACK AI-35B26 3 unsteady positions</li> </ul>
		<ul style="list-style-type: none"> <li>■ BLACK AI-35B27 3 steady positions</li> </ul>
	Key selector	<ul style="list-style-type: none"> <li>■ BLACK AI-35B30 2 steady positions</li> </ul>
		<ul style="list-style-type: none"> <li>■ BLACK AI-35B31 3 unsteady positions</li> </ul>
		<ul style="list-style-type: none"> <li>■ BLACK AI-35B32 3 steady positions</li> </ul>

For actuator dimensions refer to section "Accessories>Actuators"