



Order key

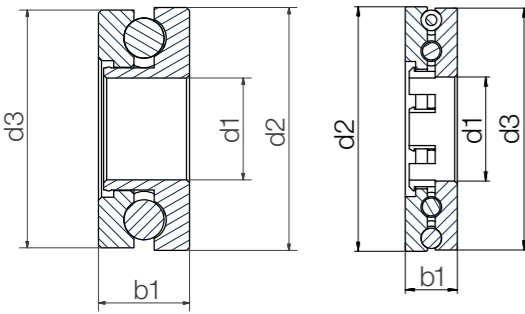
Type	Material
------	----------

BB-51104-B180-ES-D

Ball bearings	Dimensions according to DIN 711	Race/cage material	Ball material	Double row
---------------	---------------------------------	--------------------	---------------	------------

Options
Ball material
 ES = Stainless steel
 GL = Glass
Suffix
 Blank = Single row
 D = Double row

Single or double row, with stainless steel or glass balls



Single row bearing

Double row bearing

Technical data

Installation size	Single row	Double row	Load capacity		Max. speed [rpm]	Weight	
			stat. [N]	dyn. [N]		B180/ES [g]	B180/GL [g]
51100	●	–	200	250	600	6.61	4.12
51104	●	–	650	810	460	13.72	8.19
51104	–	●	975	1,215	460	18.96	8.99

Dimensions [mm]

Inner Ø d1	Outer Ø d2	Outer Ø d3	Width b1	Cage/ball material combination		Part No.
				B180/ES	B180/GL	
10	24	23.5	9	●	●	BB-51100-B180-□
20	35	34.5	10	●	●	BB-51104-B180-□
20	47	46.5	10	●	●	BB-51104-B180-□-D



Order example:
 BB-51100-B180-ES = Thrust bearing with race material xirodur® B180, B180 cage and stainless steel balls



Available from stock

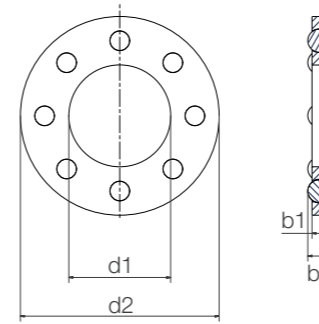
928 Online tools and more information ► www.igus.eu/xiros



Standard type with stainless steel or glass balls



Slim Line design with stainless steel or glass balls



Order key

Type	Material
------	----------

BB-6004TW-B180-ES-SL

Ball bearings	Dimensions according to DIN 625-1	Axial thrust washer	Race material	Ball material	Slim Line
---------------	-----------------------------------	---------------------	---------------	---------------	-----------

Options
Ball material
 ES = Stainless steel
 GL = Glass
Suffix
 Blank = Standard
 SL = Slim Line

Technical data (related to metallic shafts)

Installation size	Slim Line	Recommended load capacity		Max. speed [rpm]	Weight	
		stat. [N]	dyn. [N]		B180/ES [g]	B180/GL [g]
626	–	341	425	2,000	1.35	0.81
608	–	482	600	1,700	2.25	1.17
6000	–	610	782	1,500	3.04	1.50
6000	●	405	500	1,500	2.09	1.20
6004	–	975	1,215	700	6.87	4.41
6006	–	925	1,540	600	5.51	3.39
6006	●	520	680	600	4.23	2.98

Dimensions [mm]

Inner Ø d1	Outer Ø d2	Outer Ø d3	Width b1	Width b2	Race/ball material combination		Part No.
					B180/ES	B180/GL	
6.2	18.8	18.8	2.0	3.18	●	●	BB-626TW-B180-□
8.2	21.8	21.8	2.0	3.97	●	●	BB-608TW-B180-□
10.2	25.8	25.8	2.0	4.76	●	●	BB-6000TW-B180-□
10.2	25.8	25.8	2.0	3.97	●	●	BB-6000TW-B180-□-SL
21.0	41.0	41.0	3.0	4.76	●	●	BB-6004TW-B180-□
29.9	45.5	45.5	2.5	4.76	●	●	BB-6006TW-B180-□
29.9	45.5	45.5	2.5	3.97	●	●	BB-6006TW-B180-□-SL



Order example:
 BB-6000TW-B180-ES-SL = Thrust washer with race material xirodur® B180, stainless steel balls, Slim Line version



Available from stock

3D CAD files, prices and delivery time online ► www.igus.eu/xiros 929

