



technology, functionality, safety

FLUIDS AND LUBRICATION EQUIPMENT

in painted steel or in
AISI 304 stainless steel



ABS shock proof drum

CE Made in Italy

INDUSTRIAL HOSE REEL suitable also for out-door workplaces with **ABS shock proof drum**, available in open or enclosed version with arms and bracket in painted steel or in AISI 304 stainless steel.



HENNLICH
ŽIJEME TECHNIKOU

o.z. HENNLICH CEMA-TECH,
Dolní 183/30, 591 01 Žďár nad Sázavou

Telefon: +420 566 630 524
E-mail: cema-tech@hennlich.cz

www.hennlich.cz/cema-tech

Hose reel **ADVANTAGES**

The hose reels are a handy solution for problems of space.

- With the hose reel, hose rewinding is quick and safe, for an **orderly workplace**.
- The hose reel **safeguards** against wear and possible **breakage** of the hoses themselves.
- Operators work in total security in a clean and tidy place.

● **NO DISORDER**



● **NO BREAK**



● **NO ACCIDENT**



CHOOSING a hose reel

when choosing a hose reel, it is important to consider the following aspects:

1 Type of fluid to be delivered (water, air, oil, grease, other)

2 Pressure of fluid to be delivered linked to the feed pressure

3 Hose length which is the distance between the hose reel and the places where the fluid is to be delivered

4 Hose diameter on which the capacity of the hose itself depends

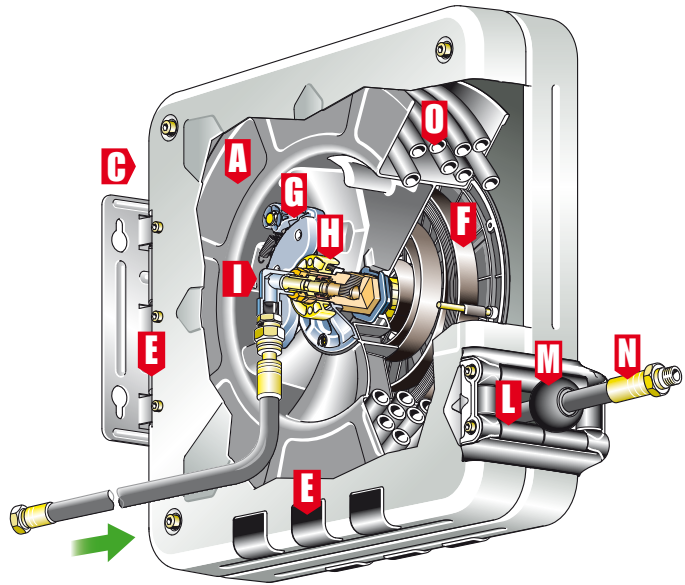
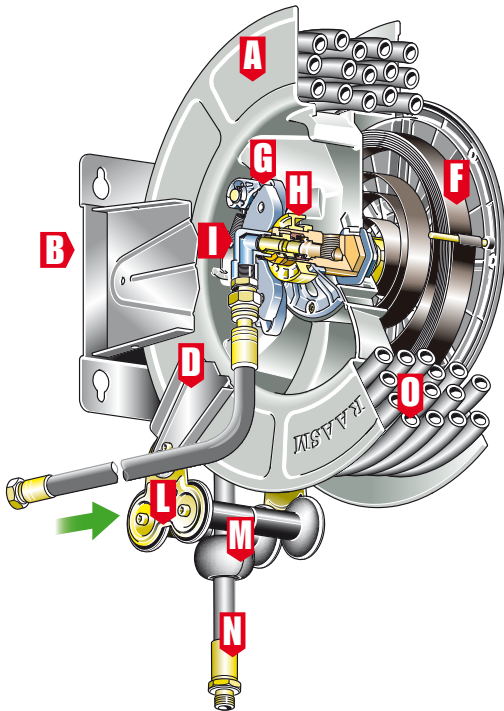
A Fixed or swivelling
hose reel supplied as fixed. On request it can be supplied with fixed brackets facilitating the installation of several hose reels side by side, or with swivelling brackets enabling the 40° rotation to the right or left of the hose reel

B Stainless steel or painted
this depends on the workplace (closed or open) and the type of hose reel use (protected or exposed to water sprays)

C Open or enclosed
the enclosed version is available only for the following fluids: air, oil, antifreeze and grease. The choice is up to the customer



General FEATURES



IN COMPLIANCE WITH DIRECTIVE: ATEX 94/9

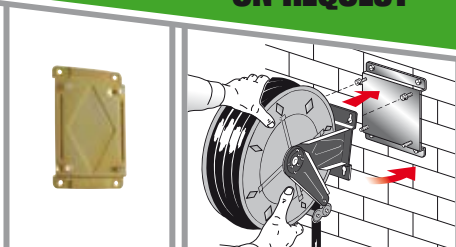


II 3 GD c X

- A** Hose reel drum: sturdy and practical in shock resistant ABS
- B** Arms and bracket in painted steel or in AISI 304 stainless steel
- C** Carter and bracket in painted steel
- D** Adjustable arm: to favour hose extraction according to hose reel installation
- E** Wall bracket attachments for alternative positioning
- F** Fully enclosed and protected constant-force automatic rewinding spring
- G** Automatic stopping system: allows the hose to be locked at the required length
- H** Drum support bushings in brass alloy, self-lubricating, effective and corrosion resistant
- I** Fluid passage swivel joint in brass / carbon steel / AISI 304 stainless steel with polyurethane / viton seals
- L** Self-lubricating hose guide rollers: wide multi-way opening
- M** Adjustable hose stop
- N** Galvanized carbon steel BSP connections for air, water, oil / antifreeze, grease
- O** Hose reel capacity: $\varnothing 17\text{mm}$ max. 21 m $\varnothing 19,5\text{mm}$ max. 16 m $\varnothing 22\text{mm}$ max. 14 m

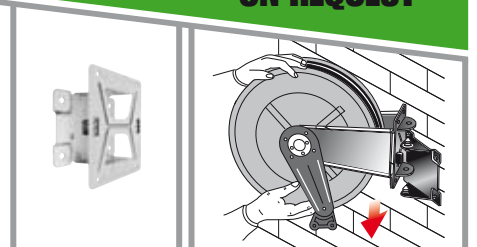
ON REQUEST

- ▶ Fixed support for quick installation



ON REQUEST

- ▶ Adjustable support for quick installation



Durable: to prevent corrosion all components are treated or powder-coated finished

Easy to install in every place: wall, floor, ceiling, vehicle, etc.



Painted steel industrial hose reel with ABS shock proof drum **SERIES 430**



OVERALL DIMENSIONS

N° 1 packing m³ 0,086 from kg 14 to 24

The hose reels are equipped with an universal hose stop; those with hose are provided with a 0,6 m inlet connection hose.

20 bar Air-Water Galvanized BSP joints

BRASS SWIVEL JOINT - "VITON" SEALS

Article	Hose length	Ø hose	Connections inlet	Connections outlet
9430.100	/	without hose	F 1/2"G	F 1/2"G
9430.101	12m (995.212)	3/8"	F 1/2"G	M 3/8"G
9430.102	18m (995.218)	3/8"	F 1/2"G	M 3/8"G
9430.103	10m (996.210)	1/2"	F 1/2"G	M 1/2"G
9430.104	15m (996.215)	1/2"	F 1/2"G	M 1/2"G

100 bar Water till 130° C Galvanized BSP joints

STAINLESS STEEL AISI 304 SWIVEL JOINT - "VITON" SEALS

Article	Hose length	Ø hose	Connections inlet	Connections outlet
9430.200	/	without hose	F 1/2"G	F 1/2"G
9430.201	10m (996.311)	1/2"	F 1/2"G	M 1/2"G
9430.202	15m (996.316)	1/2"	F 1/2"G	M 1/2"G
9431.202	15m (996.415)	1/2"hygienic	F 1/2"G	M 1/2"G

200 bar Water till 130° C Galvanized BSP joints

STAINLESS STEEL AISI 304 SWIVEL JOINT - "VITON" SEALS

Article	Hose length	Ø hose	Connections inlet	Connections outlet
9430.300	/	without hose	F 3/8"G	F 1/2"G
9430.301	12m (995.512)	3/8"	F 3/8"G	F 3/8"G
9430.302	18m (995.518)	3/8"	F 3/8"G	F 3/8"G
9431.302	18m (995.618)	3/8"hygienic	F 3/8"G	F 3/8"G

150 bar Oil-Antifreeze and similar Galvanized BSP joints

CARBON STEEL SWIVEL JOINT - "POLYURETHANE" SEALS

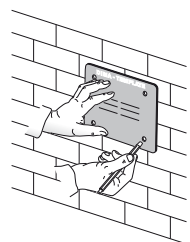
Article	Hose length	Ø hose	Connections inlet	Connections outlet
9430.400	/	without hose	F 1/2"G	F 1/2"G
9430.401	10m (996.310)	1/2"	F 1/2"G	M 1/2"G
9430.402	15m (996.315)	1/2"	F 1/2"G	M 1/2"G

600 bar Grease Galvanized BSP joints

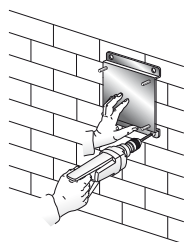
CARBON STEEL SWIVEL JOINT - "POLYURETHANE" SEALS

Article	Hose length	Ø hose	Connections inlet	Connections outlet
9430.500	/	without hose	F 3/8"G	F 1/2"G
9430.501	12m (993.512)	1/4"	F 3/8"G	M 1/4"G
9430.502	18m (993.518)	1/4"	F 3/8"G	M 1/4"G
9430.505	10m (995.710)	3/8"	F 3/8"G	M 1/4"G
9430.506	15m (995.715)	3/8"	F 3/8"G	M 1/4"G

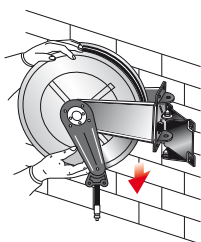
hose reels installation



➤ The template supplied, facilitates drilling of the holes and therefore hose reel fixing.



➤ The quick coupling support that facilitates installation in battery is available on request.

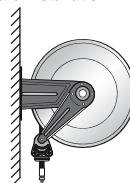


➤ The quick coupling adjustable support that enables 40° rotation to the right or left of the hose reel is available on request.

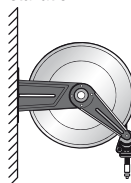
example of installation

The adjustable arms can be easily repositioned according to needs

➤ Standard installation



➤ Wall installation



➤ Bench installation



➤ Ceiling installation





Stainless steel industrial hose reel with ABS shock proof drum **SERIES 430**



20 bar Air-Water

Galvanized BSP joints

BRASS SWIVEL JOINT - "VITON" SEALS

Article	Hose length	Ø hose	Connections	
			inlet	outlet
9432.100	/	without hose	F 1/2"G	F 1/2"G
9432.101	12m (995.212)	3/8"	F 1/2"G	M 3/8"G
9432.102	18m (995.218)	3/8"	F 1/2"G	M 3/8"G
9432.103	10m (996.210)	1/2"	F 1/2"G	M 1/2"G
9432.104	15m (996.215)	1/2"	F 1/2"G	M 1/2"G

100 bar Water till 130° C

Galvanized BSP joints

STAINLESS STEEL AISI 304 SWIVEL JOINT - "VITON" SEALS

Article	Hose length	Ø hose	Connections	
			inlet	outlet
9434.200	/	without hose	F 1/2"G	F 1/2"G
9432.201	10m (996.311)	1/2"	F 1/2"G	M 1/2"G
9432.202	15m (996.316)	1/2"	F 1/2"G	M 1/2"G
9433.202	15m (996.415)	1/2" hygienic	F 1/2"G	M 1/2"G

200 bar Water till 130° C

Galvanized BSP joints

STAINLESS STEEL AISI 304 SWIVEL JOINT - "VITON" SEALS

Article	Hose length	Ø hose	Connections	
			inlet	outlet
9434.300	/	without hose	F 3/8"G	F 1/2"G
9432.301	12m (995.512)	3/8"	F 3/8"G	F 3/8"G
9432.302	18m (995.518)	3/8"	F 3/8"G	F 3/8"G
9433.302	18m (995.618)	3/8" hygienic	F 3/8"G	F 3/8"G

150 bar Oil-Antifreeze and similar

Galvanized BSP joints

STAINLESS STEEL AISI 304 SWIVEL JOINT - "VITON" SEALS

Article	Hose length	Ø hose	Connections	
			inlet	outlet
9434.200	/	without hose	F 1/2"G	F 1/2"G
9432.401	10m (996.310)	1/2"	F 1/2"G	M 1/2"G
9432.402	15m (996.315)	1/2"	F 1/2"G	M 1/2"G

600 bar Grease

Galvanized BSP joints

CARBON STEEL SWIVEL JOINT - "POLYURETHANE" SEALS

Article	Hose length	Ø hose	Connections	
			inlet	outlet
9432.500	/	without hose	F 3/8"G	F 1/2"G
9432.501	12m (993.512)	1/4"	F 3/8"G	M 1/4"G
9432.502	18m (993.518)	1/4"	F 3/8"G	M 1/4"G
9432.505	10m (995.710)	3/8"	F 3/8"G	M 1/4"G
9432.506	15m (995.715)	3/8"	F 3/8"G	M 1/4"G

OVERALL DIMENSIONS

N° 1 packing m³ 0,086 from kg 14 to 24

The hose reels are equipped with an universal hose stop; those with hose are provided with a 0,6 m inlet connection hose.

hose reels installation

- The template supplied, facilitates drilling of the holes and therefore hose reel fixing.
- The quick coupling support that facilitates installation in battery is available on request.
- The quick coupling adjustable support that enables 40° rotation to the right or left of the hose reel is available on request.

example of installation

The adjustable arms can be easily repositioned according to needs

- Standard installation
- Wall installation
- Bench installation
- Ceiling installation



Painted steel enclosed industrial hose reel with ABS shock proof drum **SERIES 450**



This series includes a range of enclosed hose reels, with ABS shock proof drum and painted steel carter, designed to be used in those sectors that due to environmental conditions, technical or aesthetical reasons require enclosed hose reel application.

20 bar Air-Water

Galvanized BSP joints

BRASS SWIVEL JOINT - "VITON" SEALS

Article	Hose length	Ø hose	Connections	
			inlet	outlet
9450.100	/	without hose	F 1/2"G	F 1/2"G
9450.101	12m (995.212)	3/8"	F 1/2"G	M 3/8"G
9450.102	18m (995.218)	3/8"	F 1/2"G	M 3/8"G
9450.103	10m (996.210)	1/2"	F 1/2"G	M 1/2"G
9450.104	15m (996.215)	1/2"	F 1/2"G	M 1/2"G

150 bar Oil-Antifreeze and similar

Galvanized BSP joints

CARBON STEEL SWIVEL JOINT - "POLYURETHANE" SEALS

Article	Hose length	Ø hose	Connections	
			inlet	outlet
9450.400	/	without hose	F 1/2"G	F 1/2"G
9450.401	10m (996.310)	1/2"	F 1/2"G	M 1/2"G
9450.402	15m (996.315)	1/2"	F 1/2"G	M 1/2"G

600 bar Grease

Galvanized BSP joints

CARBON STEEL SWIVEL JOINT - "POLYURETHANE" SEALS

Article	Hose length	Ø hose	Connections	
			inlet	outlet
9450.500	/	without hose	F 3/8"G	F 1/2"G
9450.501	12m (993.512)	1/4"	F 3/8"G	M 1/4"G
9450.502	18m (993.518)	1/4"	F 3/8"G	M 1/4"G
9450.505	10m (995.710)	3/8"	F 3/8"G	M 1/4"G
9450.506	15m (995.715)	3/8"	F 3/8"G	M 1/4"G

OVERALL DIMENSIONS

N° 1 packing m³ 0,111 from kg 24 to 29

The hose reels are equipped with an universal hose stop; those with hose are provided with a 0,6 m inlet connection hose.

hose reels installation

- The template supplied, facilitates drilling of the holes and therefore hose reel fixing.
- The quick coupling support that facilitates installation in battery is available on request.
- The quick coupling adjustable support that enables 40° rotation to the right or left of the hose reel is available on request.

example of installation

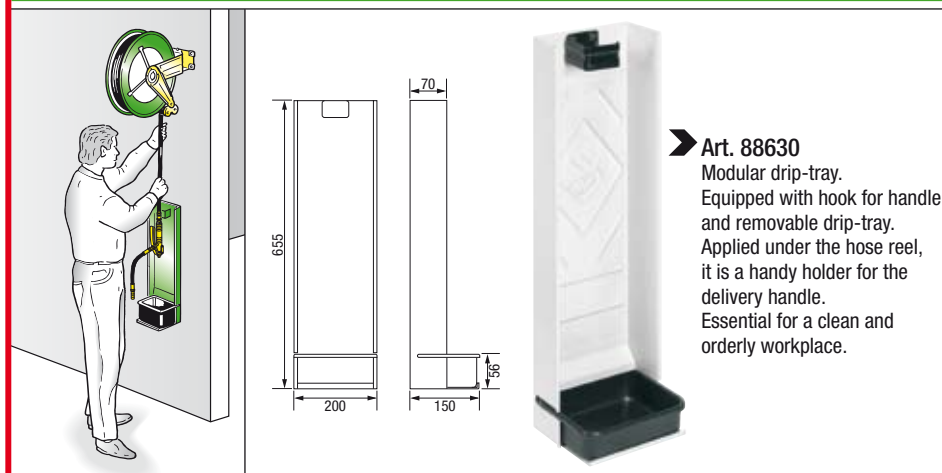
It is possible to fix wall bracket on different side according to needs

- Standard installation
- Wall installation
- Bench installation
- Ceiling installation



Accessories for hose reel

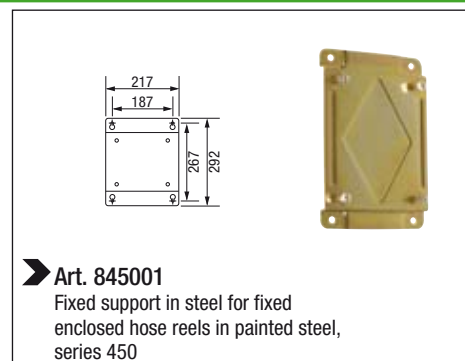
modular drip-tray



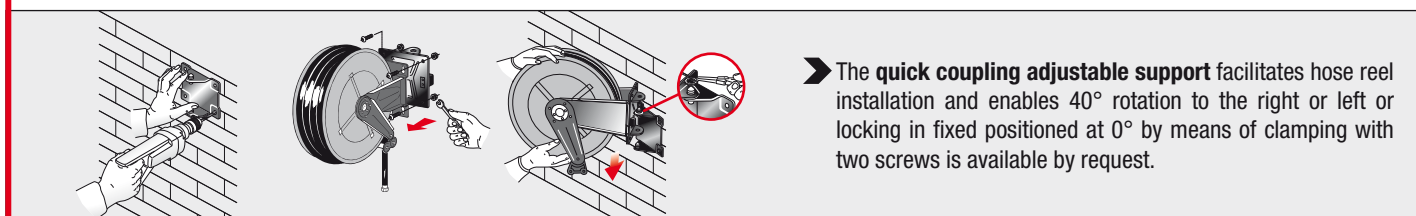
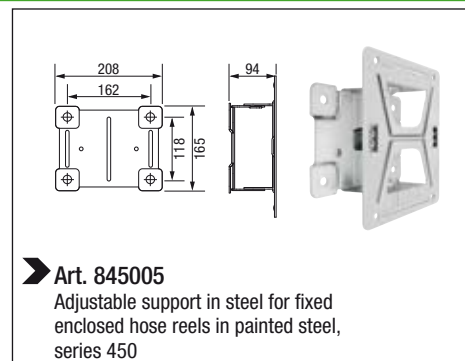
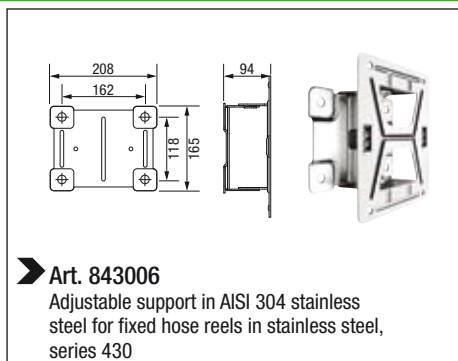
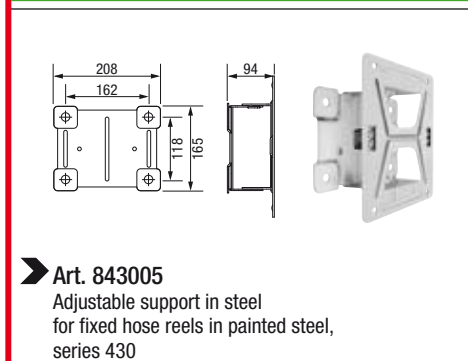
protective cover



quick coupling support SUPPLIED ON REQUEST



quick coupling adjustable support SUPPLIED ON REQUEST



COLOURS AVAILABLE for customisations

RAL 7035



RAL 1004



RAL 3020



RAL 5002



RAL 9005



PAINTED STEEL industrial hose reels



STAINLESS STEEL industrial hose reels



ENCLOSED industrial hose reels



RAASM offers the opportunity of ordering these products in 5 different colours among.

The colour can be requested by customers **without minimum quantity requirements, or extra costs, choosing from the colour range proposed.** Customisation is characterised exclusively by the colour of the ABS drum (see photo) and **does not include:** instruction handbooks, labels, brands, etc.

Delivery times can vary with respect to not standard colour products (grey RAL 7035). Requests for different colours, in addition to those available, or other types of customisation, must be appraised from time to time and will be tied to minimum quantities and additional costs.

To order an industrial hose reel with a colour different from the standard (grey RAL 7035), among the 5 available, it is necessary to add the following to the code

the suffix:	/C2	for yellow	RAL 1004
	/C4	for red	RAL 3020
	/C5	for blue	RAL 5002
	/C6	for black	RAL 9005

All rights reserved to Raasm S.p.A.



RAASM S.p.A. 36022 S. ZENO DI CASSOLA (VI)
Via Marangoni, 33 - ITALY

Export department Tel. +39 0424 571130 - Fax 0424 571135
Technical department Tel. +39 0424 571150 - Fax 0424 571155
E-mail: info@raasm.com - Internet: www.raasm.com

Authorized dealer