



ADVANCED FLUID MANAGEMENT SOLUTIONS

An overview of the RAASM world



RAASM



**HENNLICH
ŽIJEME TECHNIKOU**

o.z. HENNLICH CEMA-TECH,
Dolní 183/30, 591 01 Žďár nad Sázavou

Telefon: +420 566 630 524
E-mail: cema-tech@hennlich.cz

www.hennlich.cz/cema-tech



ADVANCED FLUID MANAGEMENT SOLUTIONS



The complete range of our products is presented in the specific catalogues:

- GENERAL CATALOGUE
- INDUSTRIAL HOSE REELS WITH DRUM IN ABS
- INDUSTRIAL HOSE REELS SERIES 250 - 300
- INDUSTRIAL HOSE REELS SERIES 700
- DIGITAL LITRE COUNTERS AND PULSER
- DIAPHRAGM PUMPS
- FLUID CONTROL SYSTEM



**HENNLICH
ŽIJEME TECHNIKOU**

o.z. HENNLICH CEMA-TECH,
Dolní 183/30, 591 01 Žďár nad Sázavou

Telefon: +420 566 630 524
E-mail: cema-tech@hennlich.cz

www.hennlich.cz/cema-tech

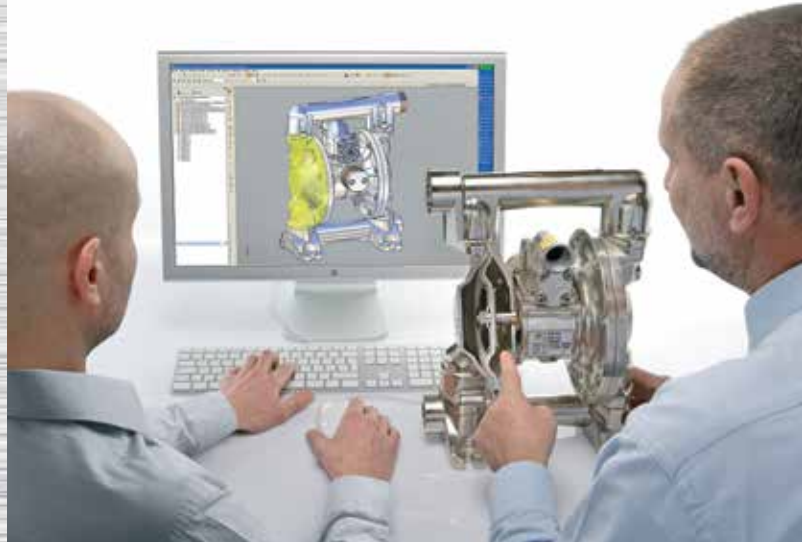


at your service since 1975

RAASM seeks to offer the best through continuous improvement, in terms of performance, functionality and reliability of its products.

STUDY, RESEARCH AND DESIGN

The real strength of a firm starts with the ability of its study and research departments to always find the most suitable solutions to address market demands.



TESTING AND INSPECTIONS

A sophisticated test room enables careful testing of the quality of new products before they are put on the market.

ASSEMBLY LINES

Dedicated equipment specially designed to facilitate assembly operations, at the same time allowing an effective and automatic control of quality.



STORAGE OF COMPONENTS

Our vertical stores enable quick and careful preparation of the components and spare parts intended for assembly and sale.



TECHNOLOGY
INNOVATION
QUALITY
SAFETY
RELIABILITY



TECHNICAL ASSISTANCE

RAASM has the most complete range of products for lubrication and the dispensing of fluids. The aim is to always respond fully to the questions of our customers and meet all their needs.



HENNLICH
ŽIJEME TECHNIKOU

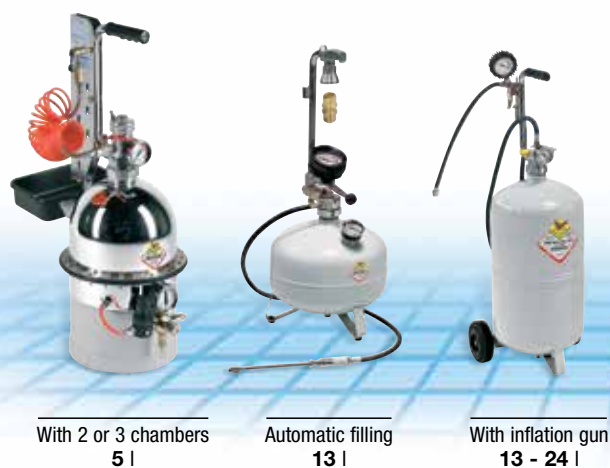
o.z. HENNLICH CEMA-TECH,
Dolní 183/30, 591 01 Žďár nad Sázavou

Telefon: +420 566 630 524
E-mail: cema-tech@hennlich.cz

www.hennlich.cz/cema-tech

BRAKE BLEEDERS, TYRE INFLATORS, WASH AND DEPLETED OIL COLLECTION

PORTABLE INFLATORS - BRAKE BLEEDERS



With 2 or 3 chambers
5 l

Automatic filling
13 l

With inflation gun
13 - 24 l



With brush or by dipping
65 l

WASH TANK AND NON-TOXIC SPRAYERS



AISI 304 St. steel
24 l

Portable or trolley
mounted 16 - 24 l

PIT OR FLOOR DRAINERS



Adjustable trolley
65 - 110 - 150 l

With or without exchange pump
50 - 95 - 150 l



DEPLETED OIL DRAINERS



Central or side sump
65 - 90 - 115 l

Normal or combined
65 - 90 - 115 l

For motorcycles - cars - trucks
65 - 115 l

Trolley or wall mounted
with air-operated pump

OIL AND GREASE DISPENSING

HAND-OPERATED PUMPS - PNEUMATIC DISPENSERS GREASERS 13 kg



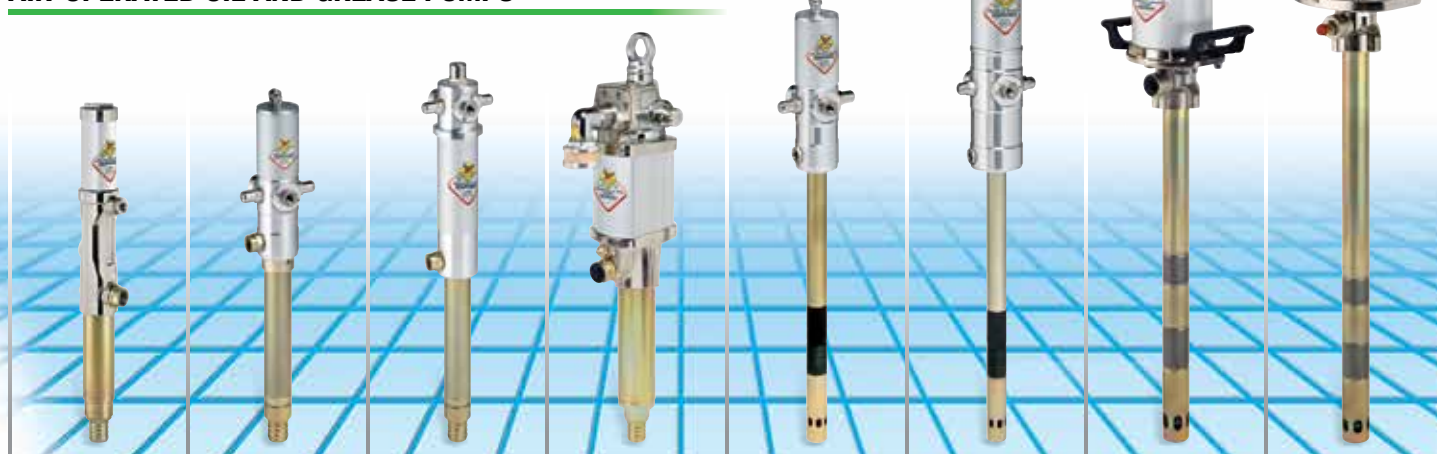
Double-acting pump
16 - 24 l

Air-operated 8-10 bar
16 - 24 l

With lever or pedal
400 bar 13 kg

High pressure 350 bar
transfer 20 bar

AIR-OPERATED OIL AND GREASE PUMPS



Series 500
R 1:1-35 l/min
VITON seals

Series 600
R 3:1-14 l/min
NBR seals

Series 650
R 5:1-18 l/min
NBR seals

Series 900
R 5:1-45 l/min
PU seals

Series 600
R 50:1-1500 g/min
PU seals

Series 700
R 65:1-1900 g/min
PU seals

Series 900
R 45:1-4400 g/min
PU seals

Series 1500
R 70:1-7000 g/min
PU seals

OIL AND GREASE DISPENSING KIT



Movable platforms for oil dispensing
with pump R 3:1 - 5:1
litre-counter gun and hose reel



Oil dispensing kit for 20 - 220 l
drums with pump R 3:1 - 5:1
and litre-counter gun



Movable greasing kits
for drums 20 - 200 kg
R 50:1 - 1500 g/min



Wall-mounted dispensing
kit with pump R 3:1 - 5:1
and hose reel

DISPENSER GUNS, LITRE COUNTERS, PULSERS, SERVICE COLUMNS, FLUID CONTROL SYSTEM

DISPENSER GUNS



S. 1/2" - 40AL - 40AP
Delivery 40 l/min



S. 1/2" - 65AP
Delivery 65 l/min



S. 3/4" - 70AP - 85AP
Delivery 70 - 85 l/min



S. 1/2" - 40AN
Delivery 40 l/min

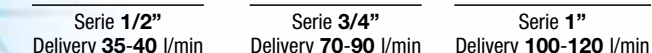
DIGITAL LITRE COUNTERS AND PULSER VERSION



Serie 1/2"
Delivery 35-40 l/min

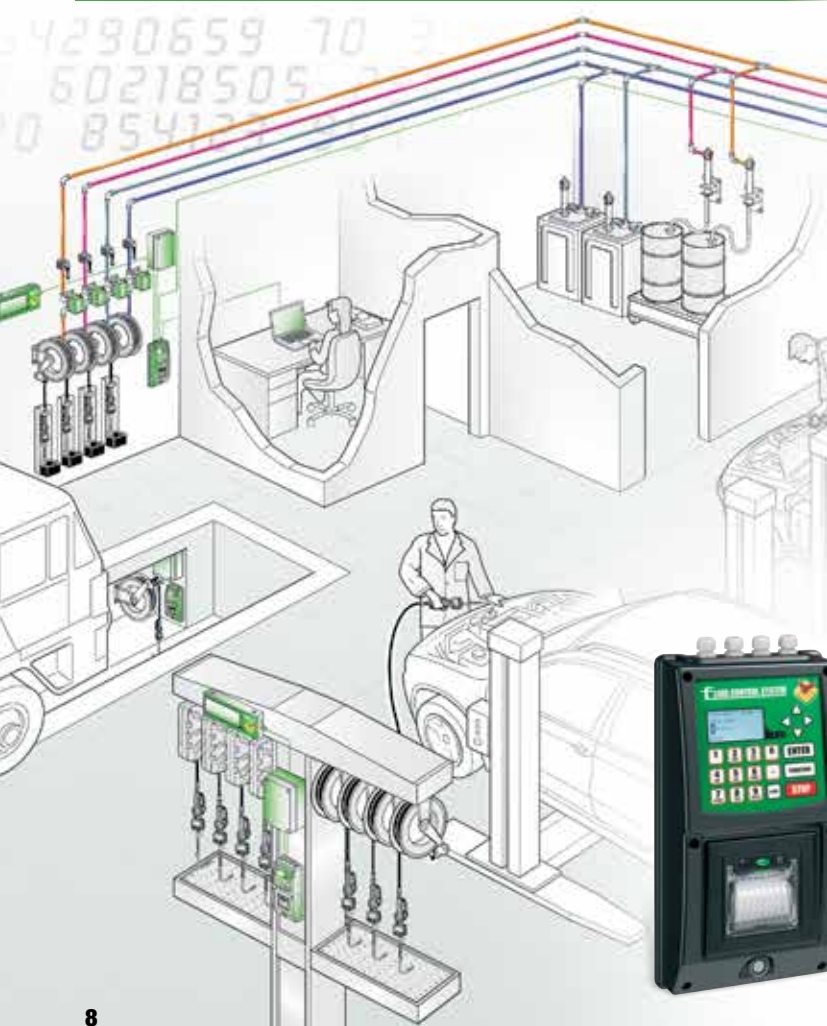


Serie 3/4"
Delivery 70-90 l/min



Serie 1"
Delivery 100-120 l/min

FLUID CONTROL SYSTEM



Operator control unit (OCU)

Service columns

INDUSTRIAL AND DIAPHRAGM PUMPS FOLLOWER PLATE LIFTER KITS

DIAPHRAGM PUMPS IN ALUMINIUM R 1:1



Conforms with Standard ATEX 94/9



Series 120-AB
1/2" - 70 l/min



Series 1000-AB
1" - 170 l/min



Series 1140-AB
1.1/4" - 200 l/min

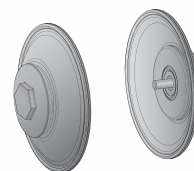


Series 1120-AB
1.1/2" - 480 l/min



Series 2000-AB
2" - 560-610 l/min

AVAILABLE DIAPHRAGMS



- > NBR HIGH NITRIL
- > HYTREL
- > EPDM
- > SANTOPRENE
- > PTFE + HYTREL

POLYPROPYLENE DIAPHRAGM PUMPS - MOTOR IN ALUMINIUM R 1:1



Series 120-PB
1/2" - 60 l/min



Series 120-PB
1/2" - 60 l/min
double inlet



Series 1000-PB
1" - 170 l/min



Series 1000-PB
1" - 170 l/min
double inlet

INDUSTRIAL AIR-OPERATED PUMPS OIL, GREASE AND INDUSTRIAL FLUIDS



Conforms with Standard ATEX 94/9



Series 900
Ratio from 2:1 to 70:1
Delivery from
3 kg/min to 95 l/min



Series 1200
Ratio from 3:1 to 75:1
Delivery from
4,4 kg/min to 100 l/min



Series 1500
Ratio from 4:1 to 70:1
Delivery from
7 kg/min to 110 l/min



Series 1800
Ratio from 5:1 to 8:1
Delivery from
65 l/min to 90 l/min

Follower plate lifter
kit for fluids



RAASM PRESENTS ITS WIDE RANGE OF HOSE REELS FOR FLUID

RAASM automatic hose reels with constant force spring, in the open and closed, fixed and adjustable versions, in painted steel, stainless steel, AISI 304 - 316 stainless steel and composite technopolymer material, or with hydraulic, pneumatic or electric motors, offer practical and safe management of hoses of any type for the transfer of all kinds of fluids.

WHEN CHOOSING A HOSE REEL IT IS IMPORTANT TO CONSIDER THE FOLLOWING:

- > type of fluid to be dispensed
- > delivery in l/min to be dispensed
- > length and width of the hose to be used
- > pressure of the fluid

Air-Water **20/400 bar**

Oil and allied products **150 bar**

Grease **400 bar**

Diesel fuel **10 bar**

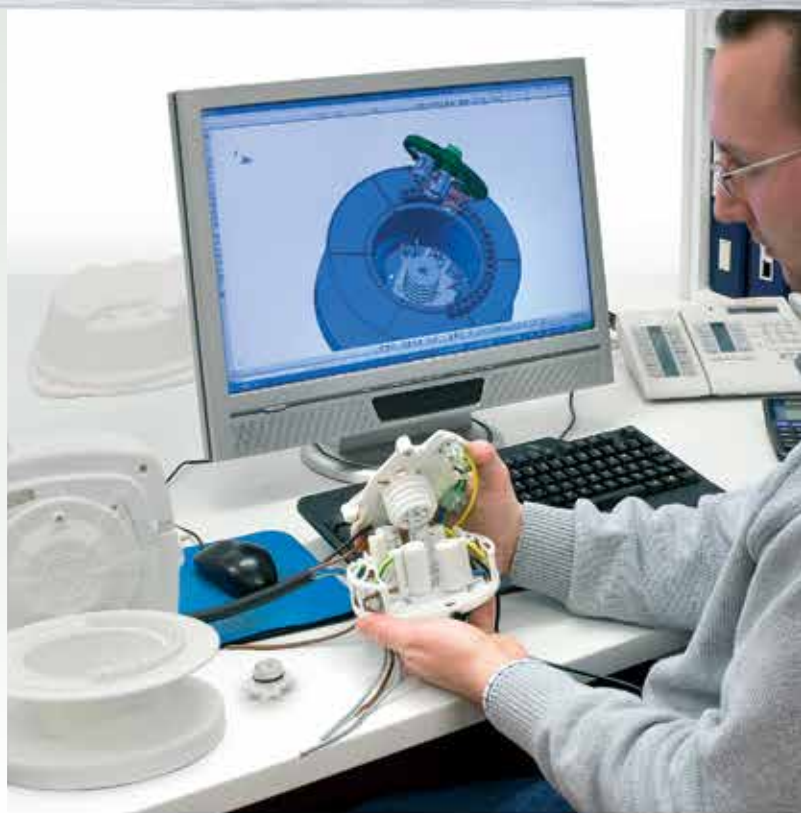
AdBlue **10 bar**

Oil-Water **200 bar**

Oil-Paints **200 bar**

Welding **20 bar**

LPG-methane **20 bar**



RANGE OF HOSES

POLYURETHANE

BLACK SYNTHETIC RUBBER



RUBBER SBR/EPDM - EN559

RUBBER NBS/PVC - EN559

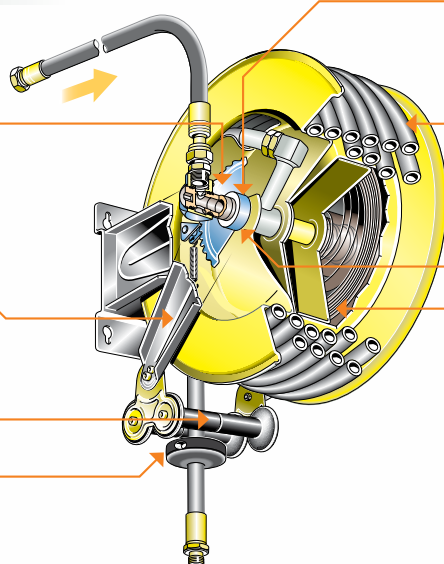
TECHNICAL CHARACTERISTICS

Automatic stop system: stops the hose at the required length

Multipositionable arms: to favour unwinding of the hose according to hose reel installation

Self-lubricating hose guide rollers: large omnidirectional guide

Adjustable hose stop



Brass alloy drum support bushes, self-lubricating, effective and corrosion resistant

Hose reel drum: sturdy and practical with ribbing and rounded edges

Fluid passage swivel joint in brass / carbon steel / s/steel / AISI 304 s/steel with polyurethane / viton / teflon seals

Constant force, automatic rewind spring completely closed and protected



CONFORMS WITH STANDARD: ATEX 94/9

FIXED AND ADJUSTABLE INDUSTRIAL SERIES IN PAINTED STEEL AND AISI 304 - AISI 316 STAINLESS STEEL

Supplied with hose in black synthetic rubber and or non-marking



Series 560

Series 540

Series 530

Series 450

Series 430

Series 390

Series 330

Series 290

STANDARD SERIES WITH ENCLOSURE IN TECHNOPYLIMER, PAINTED STEEL OR AISI 304 STAINLESS STEEL

Supplied with polyurethane hose



Series 260 SHOCKPROOF ABS



Series 250 PAINTED - STAINLESS STEEL



Series 300 PAINTED - STAINLESS STEEL

STANDARD SERIES IN PAINTED STEEL

With polyurethane hose



Series 438

Series 378

Series 328

Series 288

PRODUCT CUSTOMISATION

RAASM offers the opportunity to order the hose reels in 3 different colours in addition to the standard colour.

RAL 7035

RAL 1004

RAL 3020

RAL 5002

**INDUSTRIAL SERIES WITH DRUM IN SHOCKPROOF ABS, OPEN VERSION OR ENCLOSED
WITH SUPPORTING STRUCTURE IN PAINTED STEEL OR AISI 304 STAINLESS STEEL**



PRODUCT CUSTOMISATION

RAASM offers the opportunity to order the hose reels in 4 different colours in addition to the standard colour.

RAL 7035



RAL 1004



RAL 3020



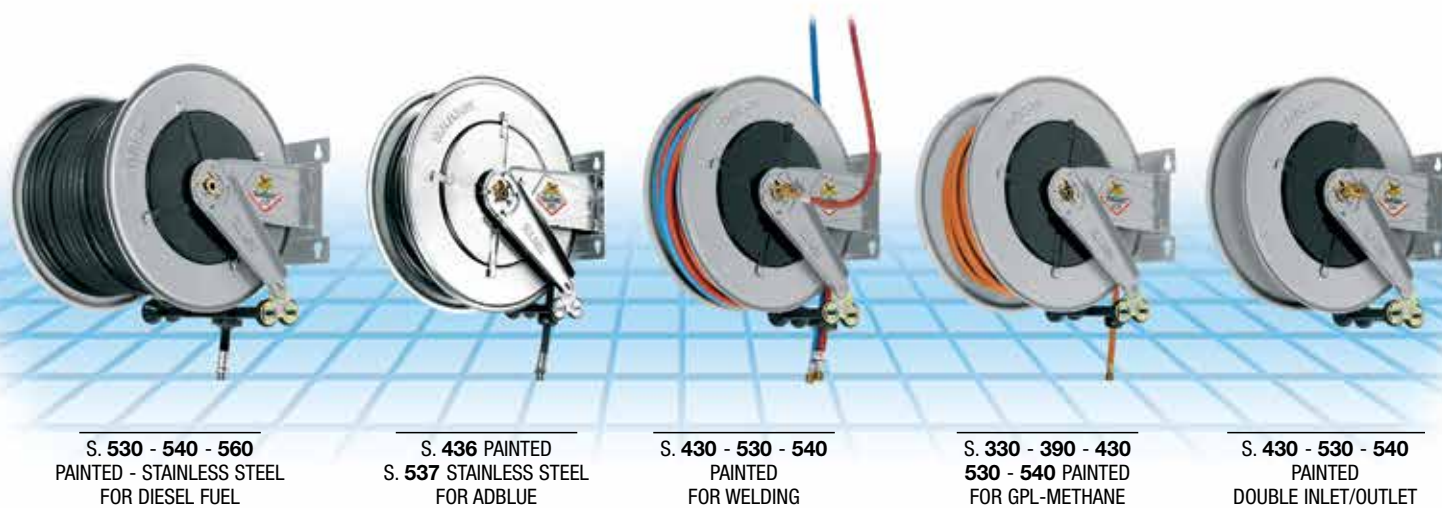
RAL 5002



RAL 9005



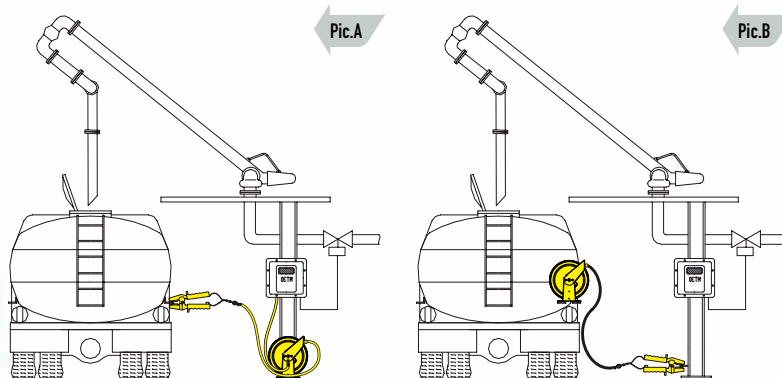
INDUSTRIAL SERIES FOR SPECIFIC APPLICATIONS



GROUNDING CABLE REEL

ATEX certification enables installation even in areas with potentially explosive atmospheres

Conforms with Standard **Atex 94/9**
II (3) 3 GD cIIB T6 T85°C X
II (3) 2/3 GD cIIB T6 T85°C X



EXAMPLE OF OPERATION

SERIES 500 - 450 - 400 HOSE REELS IN PAINTED STEEL OR AISI 304 STAINLESS STEEL



Width 240 - 320 - 460 - 600 mm

TECHNICAL CHARACTERISTICS

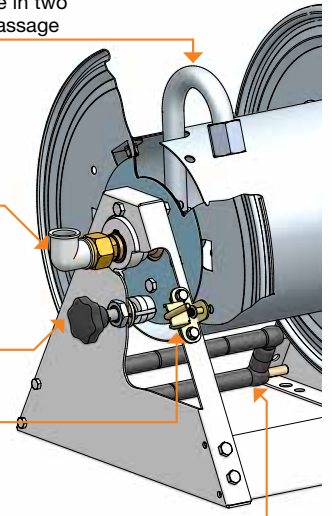
Practical elbow union that facilitates hose connection. Available in two versions with 1/2" or 1" passage

Swivel joints suitable for various pressures and with total passage. Available in brass galvanised steel and AISI 304 stainless steel

Clutch in POM to regulate hose unwinding and prevent the drum from turning empty due to inertia

Parking lock

Large hose guide to favour hose unwinding and rewinding



SERIES 600 MOTORISED HOSE REEL IN PAINTED STEEL

Available with **hydraulic** or **pneumatic motor** with 1" or 1.1/2" passage



Series 617 - 637 Hydraulic
Width 220 - 400 mm



Series 618 - 638 Pneumatic
Width 220 - 400 mm

SERIES 700 MANUAL AND MOTORISED HOSE REEL IN PAINTED STEEL

Available with various **motorisations** with 2" passage



Manual

Electric 230V

MANUAL

ELECTRIC 24V - 230V



HYDRAULIC

PNEUMATIC

RAASM products
are present worldwide through a network of
qualified dealers.



www.raasm.com



**HENNLICH
ŽIJEME TECHNIKOU**

o.z. HENNLICH CEMA-TECH,
Dolní 183/30, 591 01 Žďár nad Sázavou

Telefon: +420 566 630 524
E-mail: cema-tech@hennlich.cz

www.hennlich.cz/cema-tech

RAASM

The company RAASM S.p.A. holds the exclusive Intellectual Property rights on the RAASM trademark and all rights to its use and reproduction are reserved.

The RAASM trademark is a registered trademark and is protected at an international level. No part of the RAASM trademark and its logo may be utilized, copied and/or used in any form, time and space, even by means of improper alterations.

The Intellectual Property rights on the images published in this catalogue are owned exclusively by RAASM S.p.A. and any unauthorized reproduction is prohibited.

Any use in general of the assets protected by the Intellectual Property rights of RAASM S.p.A. is prohibited and is subject to the prior written permission of RAASM S.p.A.

ADVANCED FLUID MANAGEMENT SOLUTIONS



The manufacturer declines any responsibility for possible inaccuracies contained in this catalogue, due to printing or transcription errors.

The manufacturer reserves the right to make any changes or improvements of a functional, technical or aesthetic nature without prior notice.

IDEAL FOR THE FOLLOWING **SECTORS**

- **AUTOMOTIVE**
- **MECHANICAL INDUSTRY**
- **CHEMICAL INDUSTRY**
- **TANNING INDUSTRY**
- **WOOD INDUSTRY**
- **MARBLE INDUSTRY**
- **MANUFACTURING INDUSTRY**
- **MINING SECTOR**
- **AGRICULTURE**
- **BUILDING**
- **ROAD WORKS**
- **BOATING**
- **AVIATION**
- **CIVILIAN AND MILITARY AIRPORTS**
- **RAILWAY SECTOR**



Authorised dealer



RAASM S.p.A.
36022 S. ZENO DI CASSOLA (VI)
Via Marangoni, 33 - ITALY

Export department
Tel. +39 0424 571130 - Fax 0424 571135
Technical department
Tel. +39 0424 571150 - Fax 0424 571155

info@raasm.com
www.raasm.com

GB

WRPAN2012-GB



HENNLICH
ŽIJEME TECHNIKOU

o.z. **HENNLICH CEMA-TECH**,
Dolní 183/30, 591 01 Žďár nad Sázavou

Telefon: +420 566 630 524
E-mail: cema-tech@hennlich.cz

www.hennlich.cz/cema-tech