

iglidur® two hole flange bearings

Very good wear resistance

Maintenance-free dry operation

Lightweight

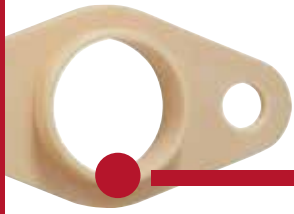
Standard range from stock



Maintenance-free dry operation



iglidur® G:
Standard material for all-round applications



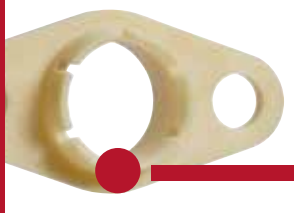
iglidur® J:
Material for low wear



iglidur® X:
Material for high temperature applications



iglidur® A180:
Material for use in the food sector



iglidur® J:
Two hole flanged bearing with preload

iglidur® – maintenance-free two hole flange bearings

With this design it is possible to use iglidur® high performance plain bearings in locations where recommended housing hole tolerances are not possible. Due to the design of the bearing, high loads are possible although there is a minimal precision requirement of the housing.

- Very good wear resistance
- Lightweight
- Lubrication-free

Assembly

For low radial loads, it is sufficient to mount iglidur® two hole flange bearings on one surface simply with two bolts. For higher radial loads, it is advisable to support the iglidur® two hole flange bearing in a housing or boss. For this hole, large tolerances are permitted, since it serves only as additional support for the iglidur® two hole flange bearing. In order to achieve higher radial loads in the bearings, the iglidur® two hole flange bearing can be press-fit into a recommended housing hole with H7 tolerances. The additional bolts ensure the fit of the bearing in the housing.

Material properties:

- iglidur® G** ▶ Page 81
- iglidur® J** ▶ Page 159
- iglidur® X** ▶ Page 279
- iglidur® A180** ▶ Page 401

Ø 10–35mm
More dimensions upon request

Available from stock
Detailed information about delivery time online.

Depending on material:
iglidur® G: –40°C up to +130°C
iglidur® J: –50°C up to +90°C
iglidur® X: –100°C up to +250°C
iglidur® A180: –50°C up to +90°C

604 Online tools and more information ▶ www.igus.eu/iglidur-flange



Two hole flange bearings



Order key

Type Size [mm]

G FL - 10

Options:
iglidur® material
G: iglidur® G
J: iglidur® J
X: iglidur® X
A180: iglidur® A180

Dimensions [mm]

d1	d1 tolerance ³⁾	d2 ¹³⁾	d3	d4	d5	d6	d7	b1	b2	b3	R (±0.2)	Part No.
10	+0.025 +0.083	12	30	14	15	4.5	22	6	2	1	4	GFL-10
12	+0.032 +0.102	14	36	16	18	4.5	26	6	2	1	4.5	GFL-12
14	+0.032 +0.102	16	42	18	21	5.5	30	6	2	1	5	GFL-14
16	+0.032 +0.102	18	48	20	24	5.5	34	6	2	1	5.5	GFL-16
18	+0.032 +0.102	20	54	22	27	6.5	39	6	2	1	7	GFL-18
20	+0.040 +0.124	23	60	26	30	6.5	44	10	3	2	7	GFL-20
25	+0.040 +0.124	28	75	30	35	6.5	55	10	3	2	8.5	GFL-25
30	+0.040 +0.124	34	90	36	40	8.5	66	10	3	2	10	GFL-30
35	+0.050 +0.150	39	95	41	55	8.5	77	10	3	2	12	GFL-35
10	+0.025 +0.083	12	30	14	15	4.5	22	6	2	1	4	JFL-10
12	+0.032 +0.102	14	36	16	18	4.5	26	6	2	1	4.5	JFL-12
14	+0.032 +0.102	16	42	18	21	5.5	30	6	2	1	5	JFL-14
16	+0.032 +0.102	18	48	20	24	5.5	34	6	2	1	5.5	JFL-16
20	+0.040 +0.124	23	60	26	30	6.5	44	10	3	2	7	JFL-20
25	+0.040 +0.124	28	75	30	35	6.5	55	10	3	2	8.5	JFL-25
30	+0.040 +0.124	34	90	36	40	8.5	66	10	3	2	10	JFL-30
35	+0.050 +0.150	39	95	41	55	8.5	77	10	3	2	12	JFL-35
10	+0.013 +0.071	12	30	14	15	4.5	22	6	2	1	4	XFL-10
12	+0.016 +0.086	14	36	16	18	4.5	26	6	2	1	4.5	XFL-12
14	+0.016 +0.086	16	42	18	21	5.5	30	6	2	1	5	XFL-14
16	+0.016 +0.086	18	48	20	24	5.5	34	6	2	1	5.5	XFL-16
20	+0.020 +0.104	23	60	26	30	6.5	44	10	3	2	7	XFL-20
25	+0.020 +0.104	28	75	30	35	6.5	55	10	3	2	8.5	XFL-25
30	+0.020 +0.104	34	90	36	40	8.5	66	10	3	2	10	XFL-30
35	+0.025 +0.125	39	95	41	55	8.5	77	10	3	2	12	XFL-35
10	+0.025 +0.083	12	30	14	15	4.5	22	6	2	1	4	A180FL-10
12	+0.032 +0.102	14	36	16	18	4.5	26	6	2	1	4.5	A180FL-12
16	+0.032 +0.102	18	48	20	24	5.5	34	6	2	1	5.5	A180FL-16
20	+0.040 +0.124	23	60	26	30	6.5	44	10	3	2	7	A180FL-20
25	+0.040 +0.124	28	75	30	35	6.5	55	10	3	2	8.5	A180FL-25
30	+0.040 +0.124	34	90	36	40	8.5	66	10	3	2	10	A180FL-30
35	+0.050 +0.150	39	95	41	55	8.5	77	10	3	2	12	A180FL-35

³⁾ After press-fit. Testing methods ▶ Page 57 ¹³⁾ Press-fit in H7 tolerance housing hole



3D CAD files, prices and delivery time online ▶ www.igus.eu/iglidur-flange 605

Two hole flanged bearing with preload



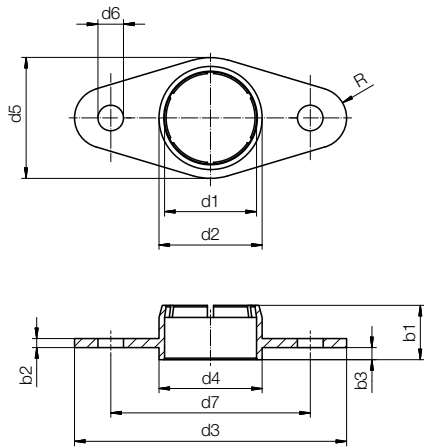
Order key

Type Size [mm]

J V FL -10

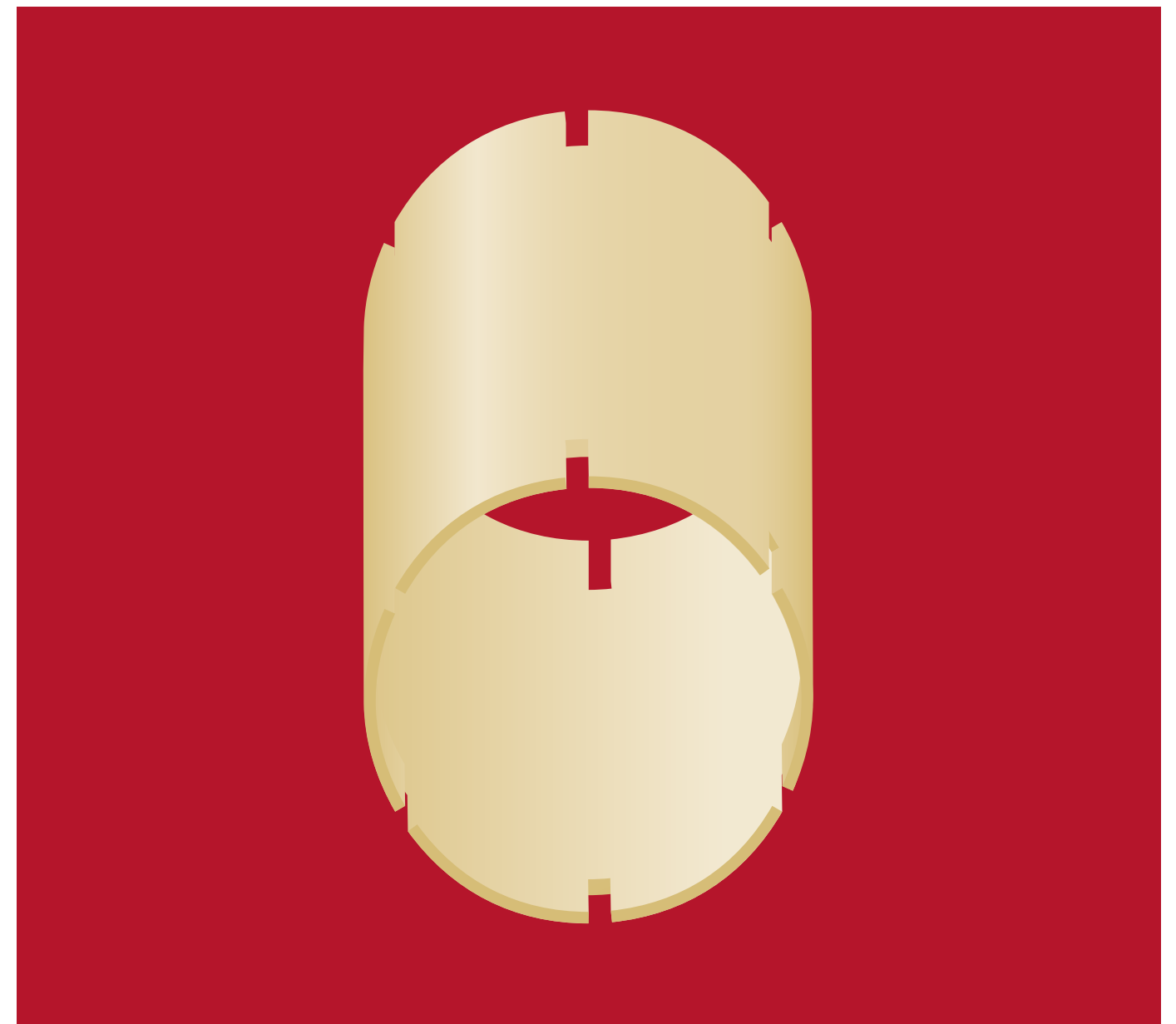
iglidur® material	Pre-loaded	Two hole flange bearings	Inner Ø	iglidur® material iglidur® J
-------------------	------------	--------------------------	---------	---------------------------------

- Corrosion resistance
- Self-lubricating due to incorporated solid lubricants
- Long service life thanks to high-performance polymers



Dimensions [mm]

d1	d1 tolerance	d2	d3	d4	d5	d6	d7	b1	b2	b3	R (±0.2)	Part No.
10	+0.025 +0.083	12	30	14	15	4.5	22	6	2	1	4.0	JVFL-10
12	+0.032 +0.102	14	36	16	18	4.5	26	6	2	1	4.5	JVFL-12
16	+0.032 +0.102	18	48	20	24	5.5	34	6	2	1	5.5	JVFL-16
20	+0.040 +0.124	23	60	26	30	6.5	44	10	3	2	7.0	JVFL-20



iglidur® clearance-free pre-loaded plain bearings

Radial and axial pre-load

Clearance-free in unloaded condition

Material: iglidur® J

Maintenance-free and predictable service life



606 Online tools and more information ► www.igus.eu/iglidur-flange

