

Guide trough systems

Aluminium SuperTrough |
Steel guide trough |
Steel support tray
Aluminium support tray |
guidefast | guidelite |
Tubular trough |
Snap-in trough



For general applications - aluminium SuperTrough, basic version, standard

- Huge range available for almost all igus® e-chains®
 - Very simple, modular assembly
 - Corrosion-resistant, seawater-resistant aluminium profile
 - Flexible assembly
 - Plastic glide bar made of PE
 - Glide strips for wear protection at high-speed
 - Bottom clamp attached either inwards or outwards - directly on the surface or on the C-profile
 - Heavy-duty bracket option for high load applications: you can configure this version using our online catalogue
▶ www.igus.eu/alu-guide
 - Conductivity according to DIN EN 61537 - as standard
- Aluminium SuperTroughs ▶ From page 1208**



For heavy-duty applications - steel guide trough

- Very tough steel guide trough for applications in tough environments
 - Easy assembly due to installation set for joining and fixing
 - Easy mounting directly to the C-profile
 - Large range, 2-piece design, adjustable to e-chain® width
 - Available in galvanised steel and stainless steel
 - Low friction: Glide bar made of PE
 - Fixed end module option, for fast and easy fitting without any drilling
 - Conductivity according to DIN EN 61537 - as standard
- Steel guide troughs ▶ From page 1234**



For easy support of the lower run - steel support tray

- Simple one-piece steel support trays as a modular construction kit
 - Complete system, ready to install
 - Easy installation onto your machine, on profiles or wall brackets
- Steel support trays ▶ From page 1264**



The flexible construction kit to support the lower run - aluminium support tray

- Corrosion-resistant and seawater-resistant aluminium rails with adjustable width and open principle
 - Wear-reducing glide strip integrated as standard
 - Easy installation and connection of the e-chain®
- Aluminium support trays ▶ From page 1270**



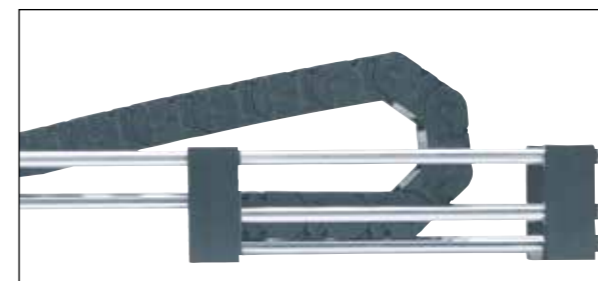
Energy supply for crane girders and indoor cranes - guidefast

- Save up to 80% installation time
 - Fits virtually any standard crane girder
 - Static cable can be fixed to the trough brackets
 - Low wear polymer glide bars (optional)
- guidefast ▶ From page 1276**



Long travels up to 150m, quick and cost-effective - igus® guidelite

- Time saving through fast assembly
 - Very lightweight polymer components
 - Corrosion-resistant
 - Construction kit solution, from stock
- guidelite ▶ From page 1282**



Lets light and dirt through - tubular trough system RS

- Resistant to dirt - wear debris falls through
- More open than sheet metal constructions
- Easy and fast assembly and cost-effective
- Easy and space-saving delivery

Tubular trough system RS ▶ From page 1288



Simple and cost-effective - snap-in trough system SP

- Quick and easy assembly
- Fixed inner width with spacer
- No complex width setting required
- Cost-effective due to easy assembly

Snap-in trough system SP ▶ From page 1294



Various igus® guide trough systems are available



Hundreds of igus® guide troughs are available from stock

igus® guide troughs

Guide troughs are used for long travels. They support the low friction gliding operation of the e-chain® and e-tubes. If the fixed end is installed in the centre of the travel ("centre-fixed"), the e-chains® glide on themselves for half the travel. For the other half, we recommend glide bars, which are assembled into the trough and on which the e-chains® glide. igus® guide troughs are available from stock with these highly abrasion resistant polymer glide bars, which are optimised for use with igus® e-chains® in terms of noise, abrasion and friction.

Trough type

igus® offers guide troughs made of corrosion-resistant aluminium, steel or stainless steel. The trough type to be used depends on the application and the requirements of the customer. We recommend the igus® aluminium SuperTrough as standard.

Glide bars

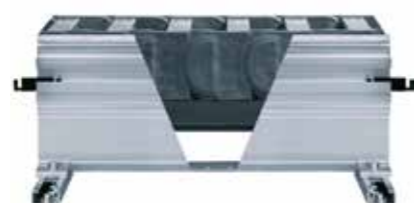
Glide bars made from igulen are optimised for use with the e-chain® material and offer the lowest gliding friction, noise and wear. Glide bars must be used if the fixed end is in the centre of the travel. This means that half of the guide trough has glide bars and the other half is without.

Delivery details

The troughs are delivered in 2m sections. Special lengths up to 6m are possible. The left and right side parts are installed with the appropriate spacing - depending on the width of the igus® e-chain®. The necessary width is shown by the dimension B_{Ri} on the guide trough pages. The trough side parts can be linked with the base by screwing, welding or a special igus® installation set. The fixed end module for the igus® aluminium SuperTrough is a quick fix for mounting the stationary end of an e-chain® with a KMA-mounting bracket. With this module, easy attachment of the e-chain® with plastic-metal mounting bracket (KMA) to the super aluminium trough is possible without drilling.



Trough without glide bars - e-chain® glides on e-chain®



Trough with glide bars - e-chain® glides on glide bars



Centre fixed = 1/2 travel with glide bars - 1/2 travel without glide bars



For lateral guidance on long travels, an igus® guide trough is necessary. In most cases, the upper run of the e-chain® glides partly on the lower run and partly on a glide bar; this is shown in the diagram below. If the fixed end of the system can be placed in the centre, the e-chain® length is calculated as follows: $L_K = S/2 + K_2$. Placing the fixed end in the centre of the travel offers the shortest e-chain® length and cables. The length of the e-chain® then corresponds to slightly more than half of the travel length. Depending on the technical data for the selected e-chain®, the mounting height of the moving end of the e-chain® must be lowered on some applications. In these cases please contact igus® and we'd be glad to advise.

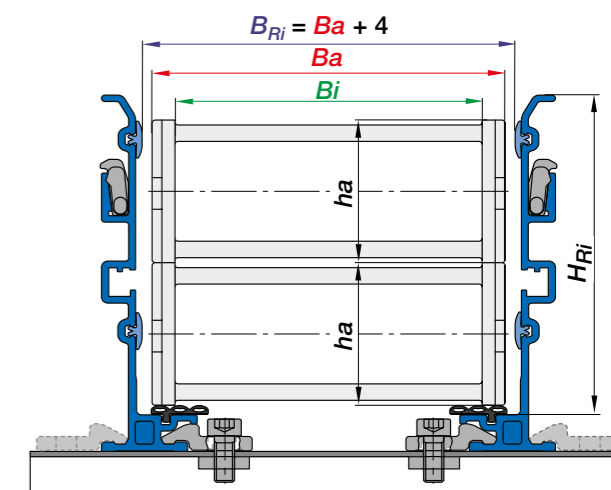
Selection criteria

Following parameters are required for design of a trough system: ● e-chain® type (Series, width B_i , radius R) ● Travel and travel speed ● Fill weight ● Acceleration ● Lateral acceleration ● Environmental conditions

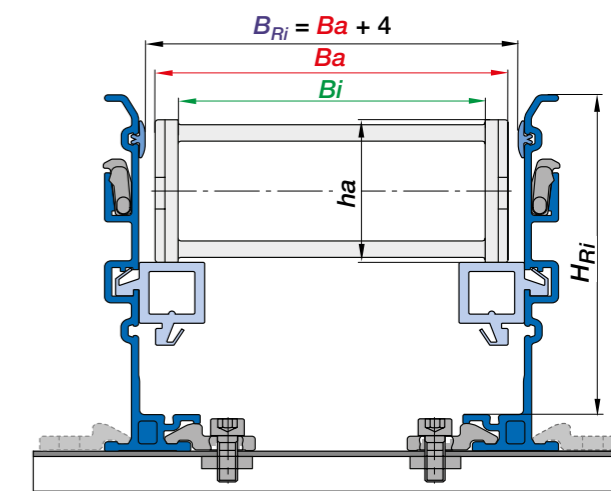
Design and installation of the guide trough

Usually, the height of the trough must be at least twice that of the e-chain® link height: $H_{Ri} \geq 2 \times ha$. The sides must provide a chamfered opening. The trough inner width is the same as the e-chain® outer width, plus 4mm or 5mm (eg $B_{Ri} = Ba + 4$). Along the side of the trough, where the upper run cannot glide on the lower run, glide bars must be installed. Guide troughs with and without glide bars can be obtained from stock for almost all igus® e-chains®.

Important: When assembling the trough parts, the following points must be given particular attention: ● Properly align all trough parts during installation ● All screw heads should be flush with the trough ● Smooth level transition between the end of the e-chain® and the glide bars ● Solid connection with the glide surface. **These points must be observed when using igus® guide troughs.**

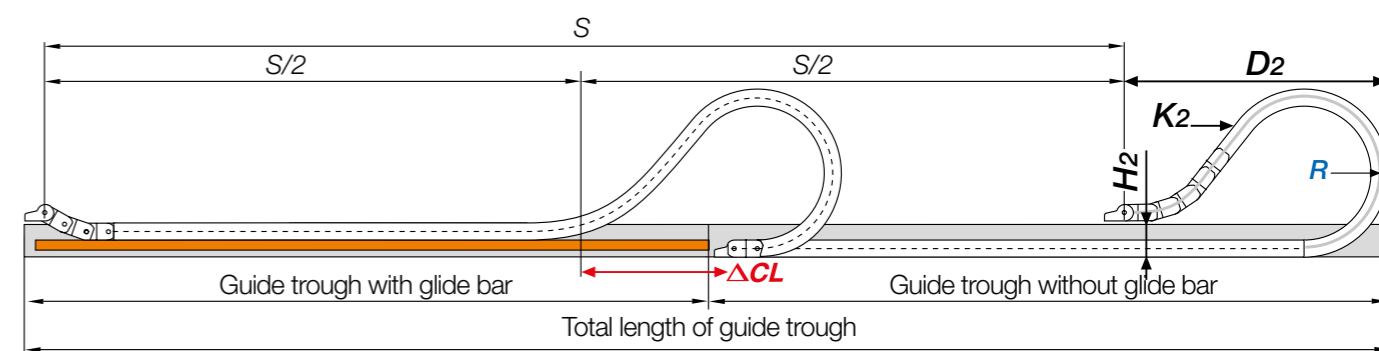


Aluminium SuperTrough without glide bars - upper run glides on the lower run



Aluminium SuperTrough with glide bars. The upper run glides on the glide bars from the centre of the travel

- e-chain® length $L_K = S/2 + K_2$
- Trough inner height $H_{Ri} \geq 2 \times ha$
- Inner width, aluminium SuperTroughs $B_{Ri} = Ba + 4$
- Inner width, steel guide trough $B_{Ri} = Ba + 5$

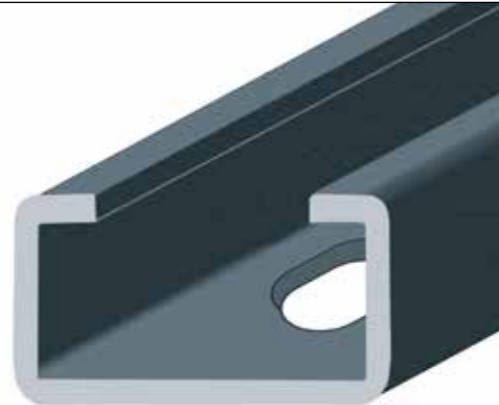


- Trough set
- Installation set
- Glide bar
- C-profile
- Ba = e-chain® outer width
- B_i = e-chain® inner width
- R = Bend radius
- ΔCL = Offset fixed end
- S = Length of travel
- $S/2$ = Half length of travel
- B_{Ri} = Trough inner width
- B_{Ra} = Trough outer width
- H_{Ri} = Trough inner height
- H_{Ra} = Trough outer height
- ha = e-chain® outer height
- L_K = e-chain® length
- H_2 = Installation height (with lowered moving end)
- D_2 = Over length for long travels gliding
- K_2 = Add-on (with lowered moving end)
- H_F = Required clearance height

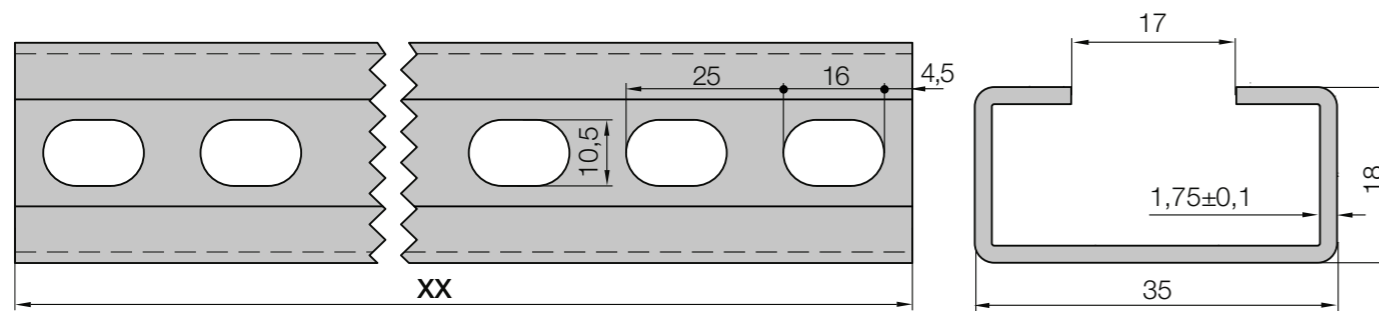
C-profile Part No. 92.52.XX

- For all igus® aluminium SuperTrough and steel guide troughs
- With increased holding force for heavy-duty applications
- Standard material galvanised steel **Part No. 92.52.XX**
- Also available as stainless steel version*, please add Index **.E** Example: **Part No. 92.52.XX.E**
- Length tolerances for C-profiles of ±5mm possible!

XX = length mm / *Material: stainless steel 1.4301/AISI 304



C-profile Part No. 92.52.XX | With increased holding force for heavy-duty applications



C-profile Part No. 92.52.XX - for all igus® aluminium SuperTrough and steel guide troughs



igus® has experience with all kinds of installations and travels. Very long travels up to 615m or "green systems", they help save energy cost and are made with igus® e-chains®, chainflex® cables and guide troughs. Together with the igus® accessories, they offer long service life even in tough weather conditions or in areas of dust and dirt



Aluminium SuperTrough

For general use



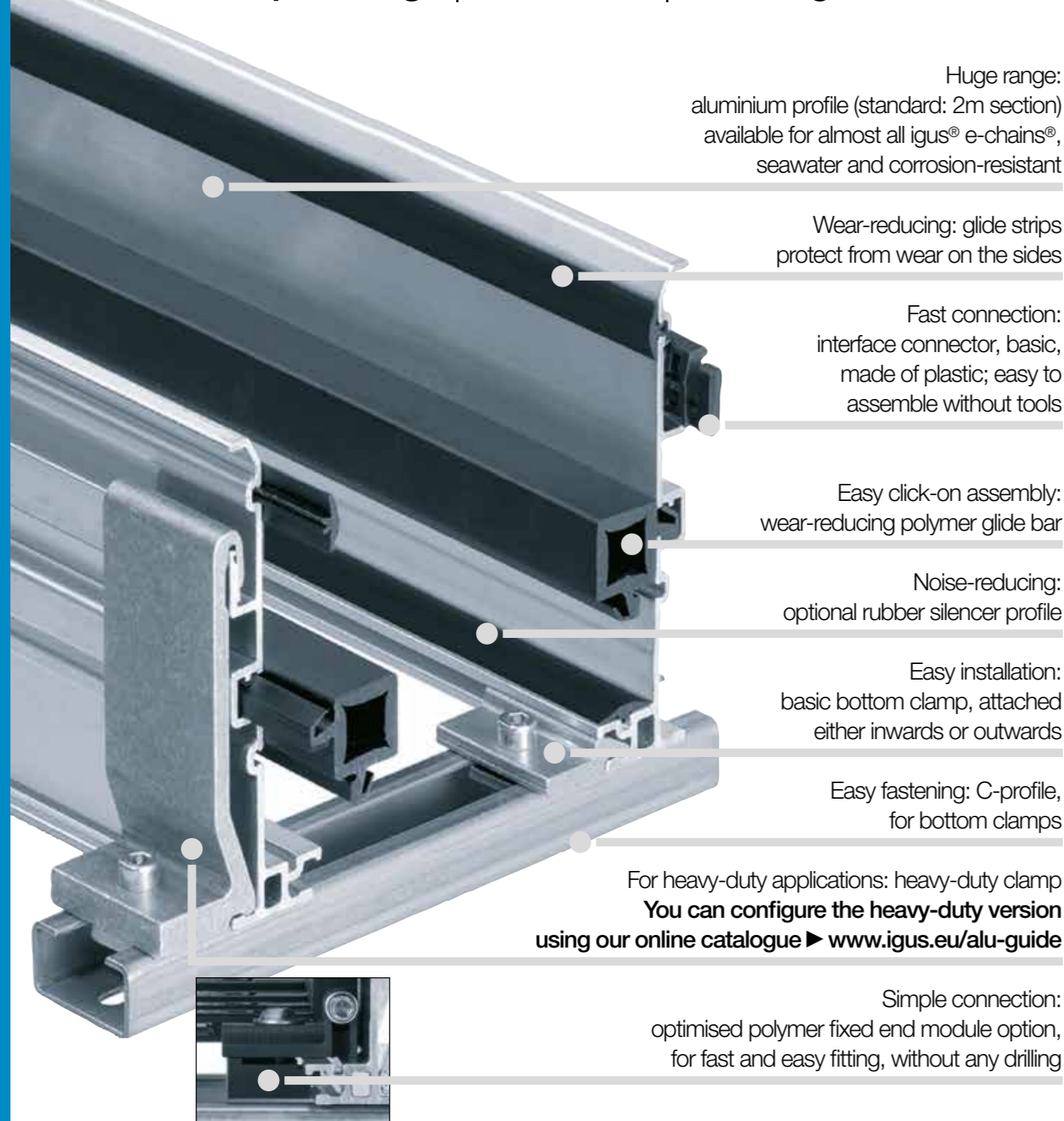
Advantages aluminium SuperTrough

- Huge range available for almost all igus® e-chains®
- Very simple, modular assembly
- Corrosion-resistant, seawater-resistant aluminium profile
- Flexible assembly
- Heavy-duty bracket option for high load applications:
you can configure the heavy-duty version online
▶ www.igus.eu/alu-guide
- Conductivity according to DIN EN 61537 - as standard
- Glide strips for wear protection at high-speed



When to use another guide trough:

- When a very tough guide trough made from steel is required for heavy-duty applications
▶ [Steel guide troughs, page 1234](#)



Huge range: aluminium profile (standard: 2m section) available for almost all igus® e-chains®, seawater and corrosion-resistant

Wear-reducing: glide strips protect from wear on the sides

Fast connection: interface connector, basic, made of plastic; easy to assemble without tools

Easy click-on assembly: wear-reducing polymer glide bar

Noise-reducing: optional rubber silencer profile

Easy installation: basic bottom clamp, attached either inwards or outwards

Easy fastening: C-profile, for bottom clamps

For heavy-duty applications: heavy-duty clamp
You can configure the heavy-duty version using our online catalogue ► www.igus.eu/alu-guide

Simple connection: optimised polymer fixed end module option, for fast and easy fitting, without any drilling



For general applications - aluminium SuperTrough, basic version, standard

- Simple and cost-effective basic design as well as version for complex engineering applications
- Very simple, modular assembly
- Corrosion-resistant, seawater-resistant aluminium profile
- Flexible assembly
- Misalignment-free installation - no screwing or welding of the profiles required
- Conductivity according to DIN EN 61537 - as standard

Part No. without glide bars	Part No. with glide bars	Outer height H_{Ra} [mm]	Part No. installation set*	Side part material	Page Link
		77	960.30	aluminium	1216
		77	960.30	aluminium	1218
		87	960.30	aluminium	1220
		117	960.30	aluminium	1222
		117	960.30	aluminium	1224
		117	960.30	aluminium	1226
		144	960.40	aluminium	1228
		184	960.50	aluminium	1230
		236	960.50	aluminium	1232



Basic version, standard - for general use



Heavy-duty version - for tough plant construction
You can configure the heavy-duty version according to the respective e-chain® you've chosen or ► www.igus.eu/alu-guide

		87	971.50	aluminium	► www.igus.eu/alu-guide
		117	972.50	aluminium	► www.igus.eu/alu-guide
		117	972.50	aluminium	► www.igus.eu/alu-guide
		117	972.50	aluminium	► www.igus.eu/alu-guide
		144	973.50	aluminium	► www.igus.eu/alu-guide
		184	974.50	aluminium	► www.igus.eu/alu-guide
		236	975.50	aluminium	► www.igus.eu/alu-guide

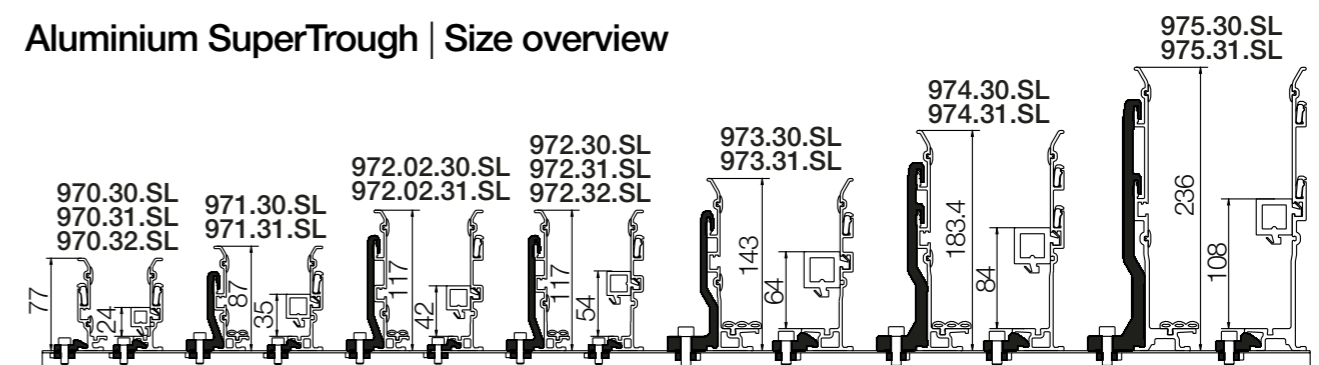
*The basic Installation sets are the standard for the aluminium SuperTroughs. They can be fastened inside or outside and are recommended for most application areas. The basic clamps are made of aluminium. The heavy-duty version is differentiated only by the type of the installation set. The part numbers of the channel side plates, glide strips, etc., are the same as the basic model. The heavy-duty installation set consists of a larger aluminium bracket, fastened on the outside of the guide trough.



Available from stock. Ready to ship in 24 - 48 hrs.*

*The delivery times indicated correspond to the average time until the ordered goods are dispatched.

Aluminium SuperTrough | Size overview



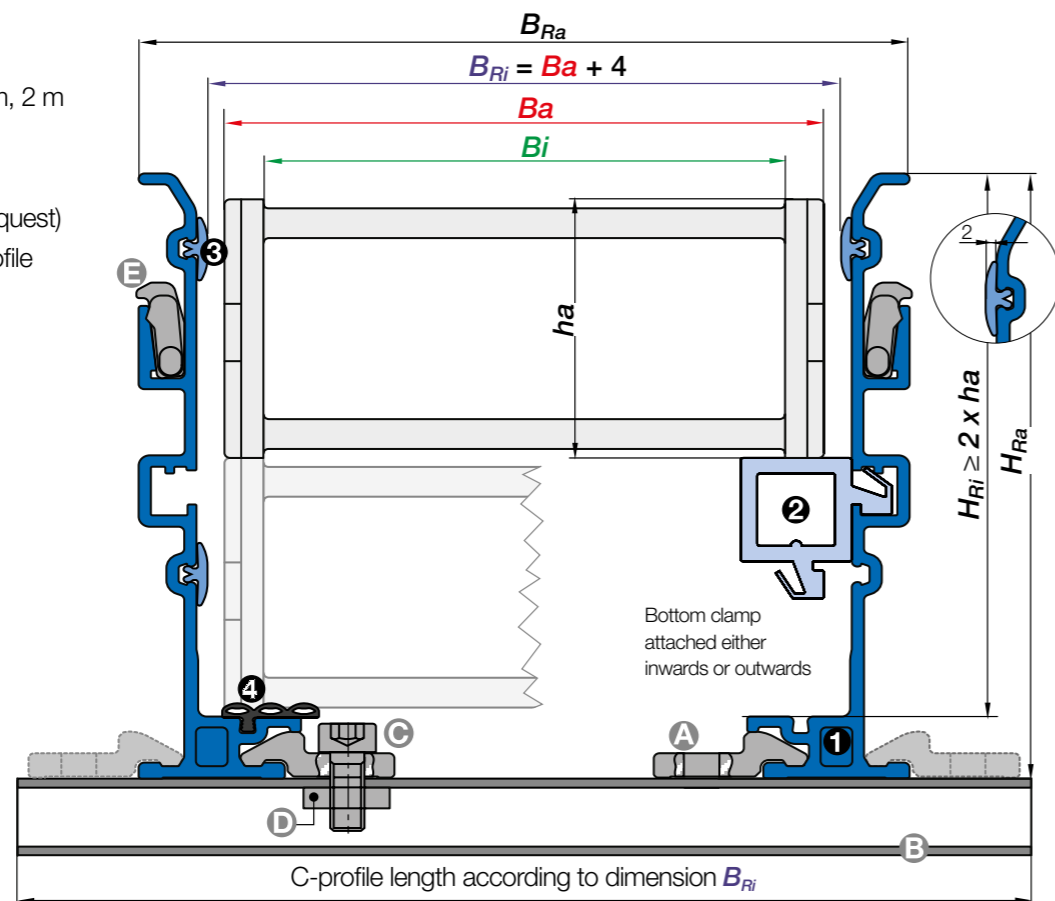
Components

- ❶ Trough side parts, aluminium, 2 m
- ❷ Glide bar, plastic, 2 m
- ❸ Glide strips, plastic, 2 m
(without glide strips upon request)
- ❹ Optional: rubber silencer profile

Components, installation set

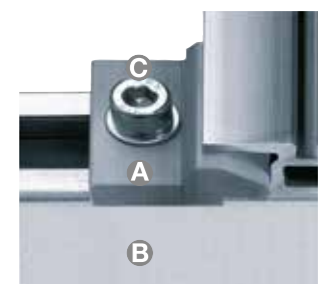
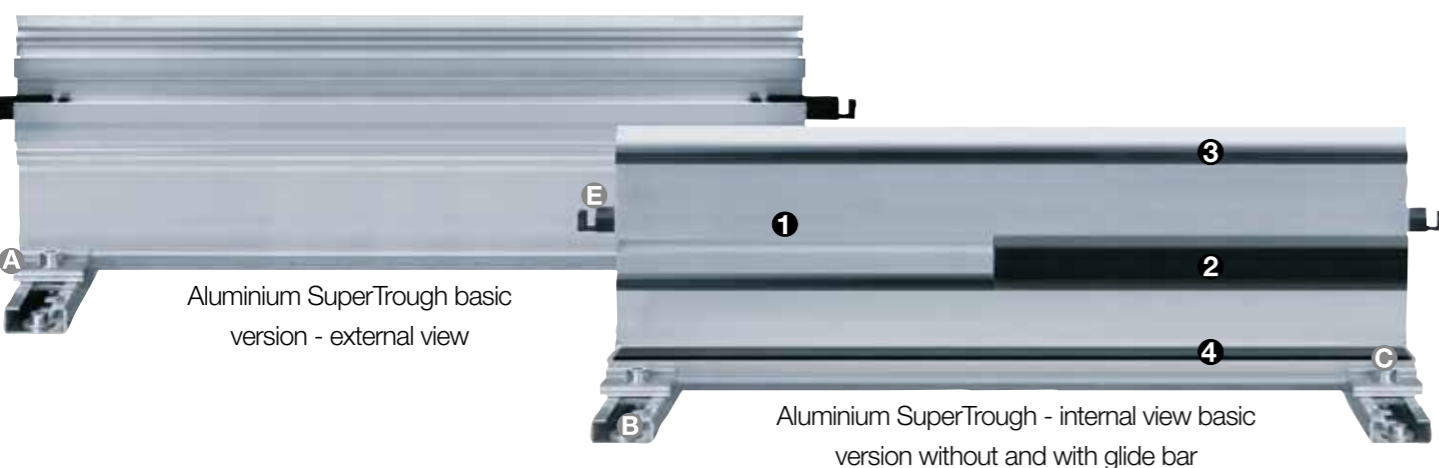
- Ⓐ Bottom clamp, aluminium
- Ⓑ C-profile¹⁾, galvanised steel
- Ⓒ Allen wrench
- Ⓓ Sliding nut
- Ⓔ Interface connector, plastic

- Ba = e-chain[®] outer width
- Bi = e-chain[®] inner width
- ha = e-chain[®] outer height
- H_{Ri} = Trough inner height
- H_{Ra} = Trough outer height
- B_{Ri} = Trough inner width
- B_{Ra} = Trough outer width

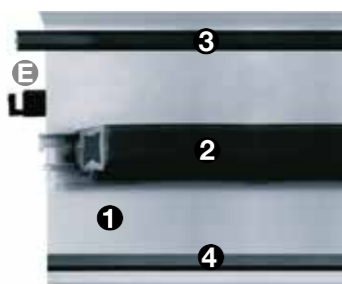


1) C-profile also available in 304 stainless steel. Material 1.4301 (AISI 304)

Aluminium SuperTrough | Features



Simple fastening with basic bottom clamp and C-profile



Wear-reducing with polymer glide bar and glide strip



Noise-reducing with silencer profile option



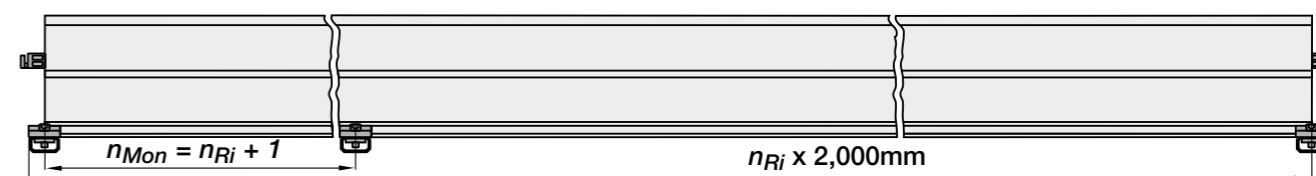
Simple connection to the e-chain[®] with the fixed end module

► Page 1214

Quickly and easily assemble the right trough for your application

- Selection of the suitable guide trough according to the e-chain[®] series and e-chain[®] width Bi
- Determine the infeed point of the cables
- Determine travel distance and thus the length of the required guide trough and the number of trough pieces. (Standard length of a trough side part: 2,000mm). For centre infeed, the length of the guide trough is calculated from half the travel length with and half the travel length without the glide bar
- Option: sound damping rubber silencer profile
- Number and type of the installation set

There are two installation set options: basic (standard), heavy-duty (for plant construction)
The quantity of the installation set is calculated from the number of the trough pieces + 1 set:



- The installation set matches the igus[®] C-profile option
- If you have opted for an e-chain[®] with KMA mounting brackets, we offer a fixed end module for the quick and simple fixing of the e-chain[®] in the trough without drilling
- **Installation Guide-PDF with detailed assembly information ► www.igus.eu/installation-guide-pdf**

Order example | Examples based on Part No. 973.30.SL | 973.31.SL



Order example: length of travel 30m -
 centre fixed for series 3500.100.200.0 with $B_{Ri} = 124$

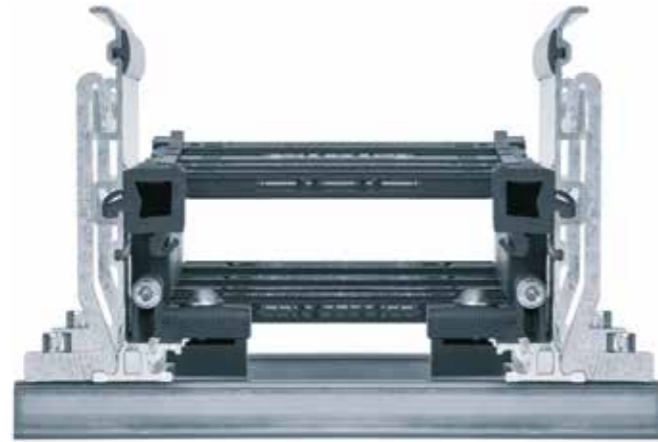
Guide trough set (set of 2 trough side parts, incl. glide strips) without glide bars	973.30.SL
Order text: 16m guide trough without glide bar (8 x 2m sections)	
Guide trough set (set of 2 trough side parts, incl. glide strips) with glide bar	973.31.SL
Order text: 16m guide trough with glide bar (8 x 2m sections)	
Installation set basic complete (quantity: guide trough sets + 1)	960.40.175
Order text: 17 installation sets, basic	
Fixed end module	973.80.5
Order text: 1 set	
Option: For an additional noise dampening with silencer profile, please add Index A	973.30.SLA



Calculation - travel centre fixed: half travel length, rounded to full 2m sections = X m.

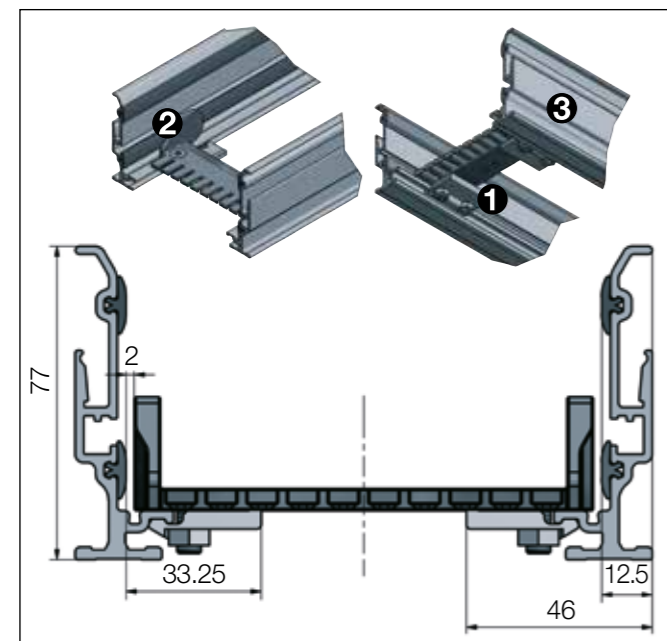
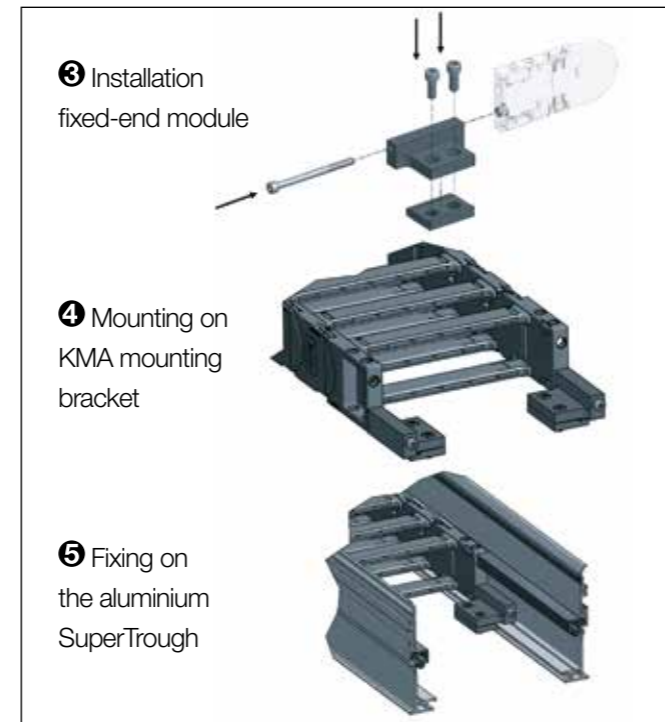
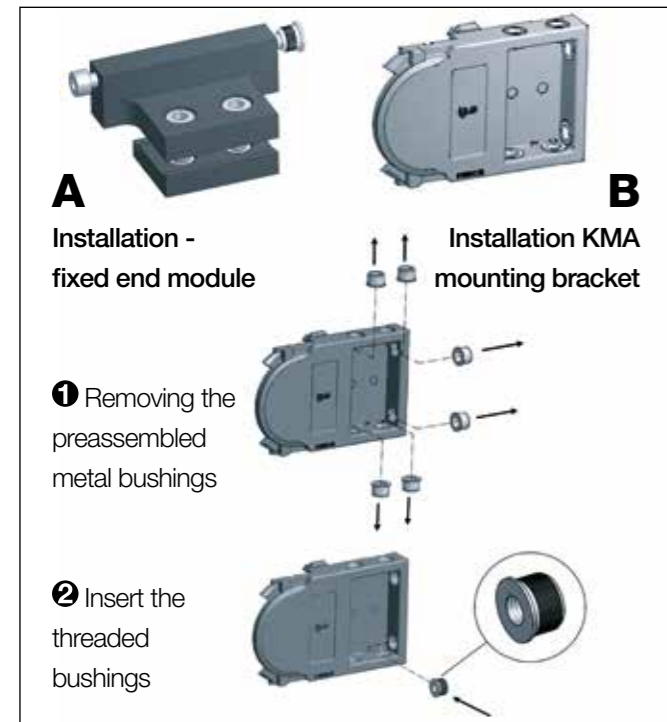
Guide trough length **without** glide bars + X m guide trough length **with** glide bars + installation set, basic (number of trough pieces + 1)

Quick and simple fixing onto the aluminium SuperTrough



Optimised fixed end module - lightweight, low-cost, for connection of the e-chain® in aluminium SuperTrough

- Mounting bracket attachment on the aluminium SuperTrough without drilling
- Fixed end module is clamped to the trough
- Save installation time
- Minimise errors from drilling holes
- Stainless and cost-effective



Fixed end clamp to attach the e-chain® into the smallest aluminium SuperTrough 970.30.SL

For mounting brackets from series: 10, 15/R15, B15, 1500. The fixed end clamp enables quick and simple attachment by clamping onto the aluminium SuperTrough without drilling.

- Quick attachment of the e-chain® to the aluminium SuperTrough
- The mounting point of the e-chain® can be changed quickly

Fixed end clamp principle:

- 1 Fixed end clamp 970.80
- 2 Mounting bracket
- 3 Aluminium SuperTrough 970.30.SL



Fixed end module | Fixed end clamp | Product range

Series	For aluminium SuperTroughs	For e-chain® series	From inner width Bi [mm]	Mounting bracket
970.80 ¹⁾	970.30.SL 970.31.SL	10, B15, 15/R15 ³⁾	050	one-piece
970.80 ¹⁾	970.30.SL 970.32.SL	1500 ³⁾	050	one-piece
971.80.4 ¹⁾	971.30.SL 971.31.SL	E2.26, 2500, E6.29, EF61.29/E61.29	07	KMA
972.80.4 ¹⁾	972.02.30.SL 972.02.31.SL	E4.28/R4.28, E4.31L/R4.31L, E6.35, E61.35	06	KMA
972.80.4 ¹⁾	972.30.SL 972.31.SL	E4.32/H4.32/R4.32, E4.38L/R4.38L, E6.40/R6.40, E61.40	06	KMA
972.80.4 ¹⁾	972.30.SL 972.32.SL	2700, R58	06	KMA
973.81.5 ¹⁾	973.30.SL 973.31.SL	E4.42/H4.42/R4.42, E4.48L/R4.48L, E6.52/R6.52, E61.52	10	KMA
973.80.5 ¹⁾	973.30.SL 973.31.SL	3500, R68	100	KMA
974.81.5 ¹⁾	974.30.SL 974.31.SL	14040/14140/R18840, 14240/14340, E4.64L	10	KMA
974.80.5 ¹⁾	974.30.SL 974.31.SL	E4.56/H4.56/R4.56, E6.62, E61.62	10	KMA
975.80 ²⁾	975.30.SL 975.31.SL	E4.80/H4.80/R4.80, E6.80, E61.80	10	KMA
975.81 ²⁾	975.30.SL 975.31.SL	15050/15150/R19850, 15250/15350	10	KMA

1) Material: polymer 2) Material: Aluminium AlMg3, seawater resistant 3) Fixed end clamp

Material screw kits: Standard steel, galvanised. Optional: 316 stainless steel, material 1.4571 (AISI 316Ti). Standard: galvanised steel



Available from stock. Ready to ship in 24 - 48 hrs.*

*The delivery times indicated correspond to the average time until the ordered goods are dispatched.



Fixed end module - simple fixing of the e-chain® without drilling

Aluminium SuperTrough | Test examples

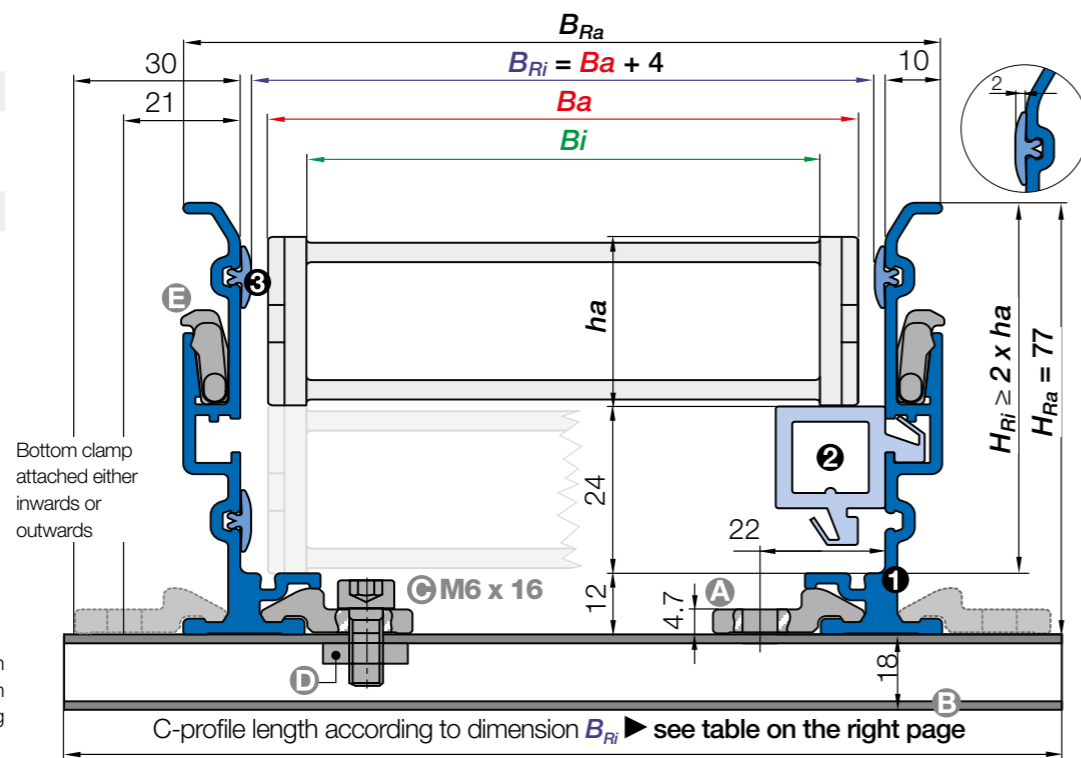


The igus® aluminium SuperTrough has been used in test setups since 2005. Test setup axis 1: speed 1.5m/s, travel: 18m, travel so far: about 50,000km (test running since 2005)

For the following igus® series

E2 mini

- 10
- B15
- zipper**
- 15/R15



Note: The inner width of the guide through and the C-profile length of the installation set can differ according to the mounting bracket you choose. Please call us.

Aluminium SuperTrough | Full set

Trough side parts sets - consisting of part ① ② ③	Part No.	Weight
1 set of 2 trough side parts, incl. glide strips, without glide bars, 2m section	970.30.SL	≈ 4.20kg
1 set of 2 trough side parts, incl. glide strips, with glide bars, 2m section	970.31.SL	≈ 4.90kg

Installation sets - consisting of part A B C D E	Part No.	Weight
1 installation set without C-profile	960.30	≈ 0.06kg
1 installation set with C-profile (C-profile length according to dimension B_{Ri})	960.30.XXX*	upon request

*Please add the C-profile length **XXX** as shown on the tables on the right page. Example: 960.30.125

Aluminium SuperTrough | Components as individual parts

Individual parts, trough	Part No.	Weight
① 1 trough side part, individual, 2m section	70.11	≈ 2.04kg
② 1 glide bar, plastic, individual, 2m section	81.79	≈ 0.42kg
③ 1 glide strip, plastic, individual, 2m section	75.01	≈ 0.06kg

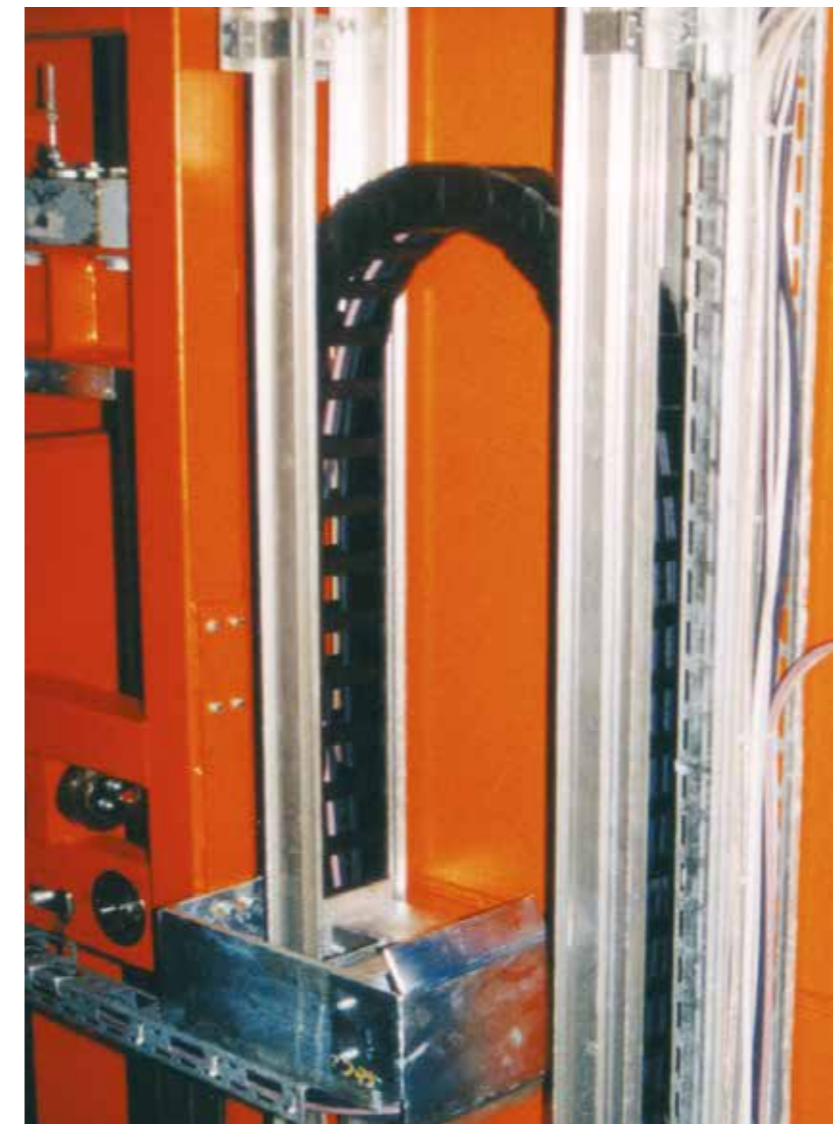
Individual parts, installation set	Part No.	Weight
A 1 bottom clamp, aluminium individual	75.40	≈ 0.03kg
B 1 C-profile, individual (C-profile length according to dimension B_{Ri})	92.52.XXX.E*	≈ 0.90kg/m
C 1 screw M6 x 16, individual	MAT 0040209 / M6 x16	
D 1 glide nut, individual	MAT 0040057 / M6	
E 1 interface connector, individual	75.60	

Additional option for simple fixing of the e-chain® without drilling	Part No.
1 set fixed end module (more information ► Page 1214)	970.80

*Please add the C-profile length **XXX** as shown on the tables on the right page. Example: 92.52.125.E

C-profile also available in 304 stainless steel. Material 1.4301 (AISI 304). Please add index **E** to the Part No.

10	B15		15		R15			
Width index [mm]	B_{Ri}	Part No.	Width index [mm]	B_{Ri}	Part No.	Width index [mm]	B_{Ri}	Part No.
.015	30	upon request	.015	30	upon request	.015	30	upon request
.025	40	upon request	.025	40	upon request	.025	40	upon request
.038	53	upon request	.038	53	upon request	.038	53	upon request
.050	65	960.30.125	.050	65	960.30.125	.050	65	960.30.125
.5	80	960.30.125	.5	80	960.30.125	.5	80	960.30.125
.6	98	960.30.150	.6	98	960.30.150	.6	98	960.30.150
.7	117	960.30.175	.7	117	960.30.175	.7	117	960.30.175



e-chain® on the tower of a storage and retrieval unit for high-bay warehouses is guided by an aluminium SuperTrough system

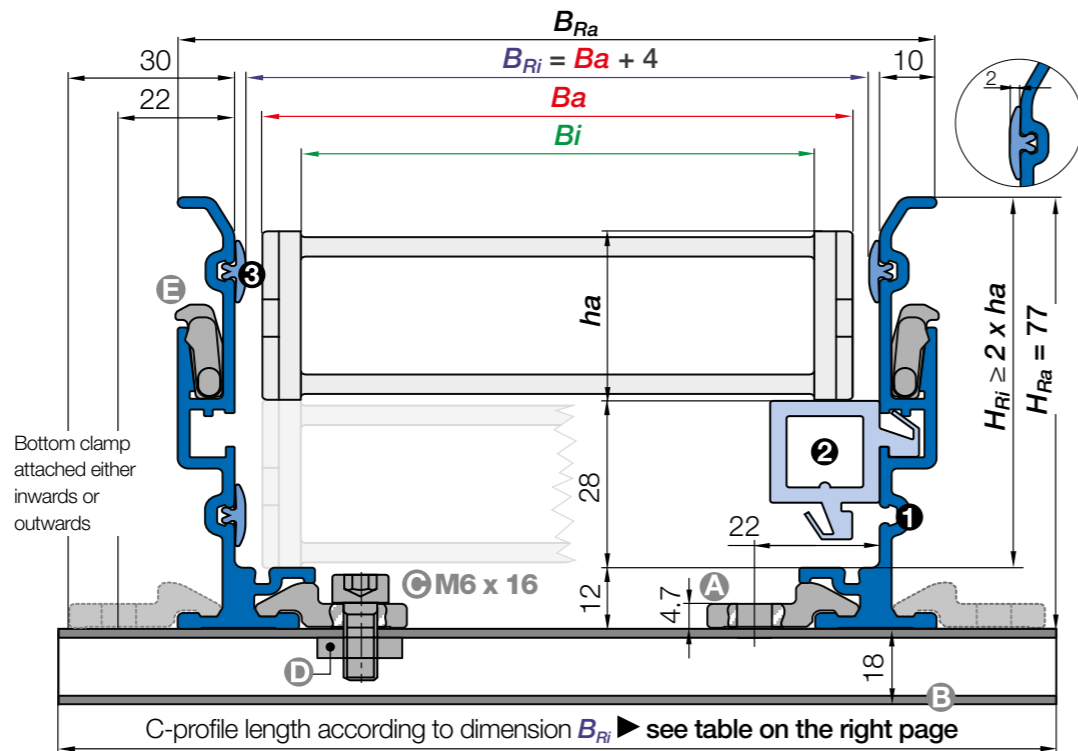
For the following igus® series

E2/000

● 1500

E4.1

● E4.21



Note: The inner width of the guide through and the C-profile length of the installation set can differ according to the mounting bracket you choose. Please call us.

Aluminium SuperTrough | Full set

Trough side parts sets - consisting of part ① ② ③	Part No.	Weight
1 set of 2 trough side parts, incl. glide strips, without glide bars, 2m section	970.30.SL	≈ 4.20kg
1 set of 2 trough side parts, incl. glide strips, with glide bars, 2m section	970.32.SL	≈ 5.00kg

Installation sets - consisting of part A B C D E	Part No.	Weight
1 installation set without C-profile	960.30	≈ 0.06kg
1 installation set with C-profile (C-profile length according to dimension B_{Ri})	960.30.XXX*	upon request

*Please add the C-profile length XXX as shown on the tables on the right page. Example: 960.30.125

Aluminium SuperTrough | Components as individual parts

Individual parts, trough	Part No.	Weight
① 1 trough side part, individual, 2m section	70.11	≈ 2.04kg
② 1 glide bar, plastic, individual, 2m section	81.79	≈ 0.42kg
③ 1 glide strip, plastic, individual, 2m section	75.01	≈ 0.06kg

Individual parts, installation set	Part No.	Weight
A 1 bottom clamp, aluminium individual	75.40	≈ 0.03kg
B 1 C-profile, individual (C-profile length according to dimension B_{Ri})	92.52.XXX.E*	≈ 0.90kg/m
C 1 screw M6 x 16, individual	MAT 0040209 / M6 x16	
D 1 glide nut, individual	MAT 0040057 / M6	
E 1 interface connector, individual	75.60	

Additional option for simple fixing of the e-chain® without drilling	Part No.
1 set fixed end module (more information ► Page 1214)	970.80

*Please add the C-profile length XXX as shown on the tables on the right page. Example: 92.52.125.E

C-profile also available in 304 stainless steel. Material 1.4301 (AISI 304). Please add index E to the Part No.

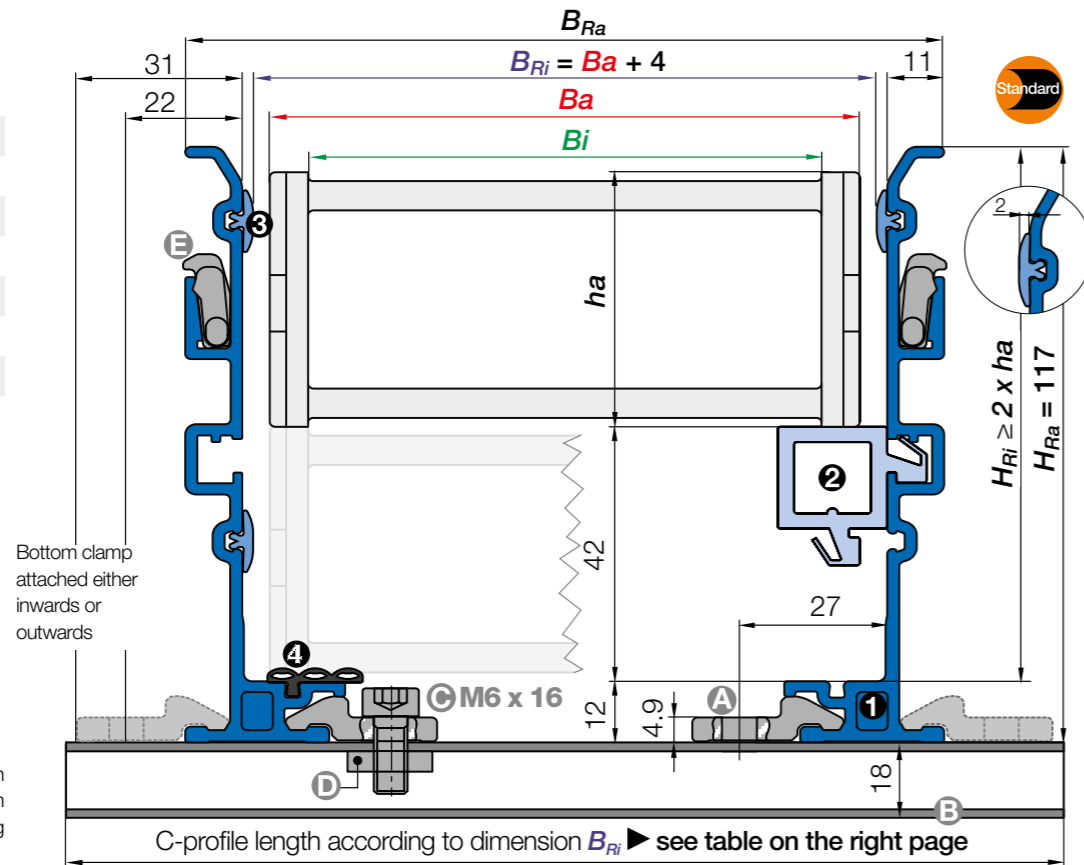
1500			E4.21		
Width index	B_{Ri} [mm]	Part No.	Width index	B_{Ri} [mm]	Part No.
		attached inwards			attached inwards
		attached outwards			attached outwards
.015	33	upon request 960.30.125	.030	48	upon request 960.30.150
.020	38	upon request 960.30.125	.040	58	960.30.125 960.30.150
.025	43	upon request 960.30.150	.050	68	960.30.125 960.30.175
.038	56	upon request 960.30.150	.060	78	960.30.125 960.30.175
.050	68	960.30.125 960.30.175	.070	88	960.30.150 960.30.175
.068	86	960.30.150 960.30.175	.080	98	960.30.150 960.30.200
.080	98	960.30.150 960.30.200	.090	108	960.30.175 960.30.200
.100	118	960.30.175 960.30.225	.100	118	960.30.175 960.30.225
.125	143	960.30.200 960.30.250	.110	128	960.30.175 960.30.225
			.120	138	960.30.200 960.30.225
			.140	158	960.30.225 960.30.250



Seawater-resistant aluminium SuperTrough for an igus® E4 system on an RTG crane

For the following igus® series

- E4.1L**
- E4.31L/R4.31L
- E4.1**
- E4.28/R4.28
- E6.1**
- E61.35
- E6**
- E6.35



Note: The inner width of the guide through and the C-profile length of the installation set can differ according to the mounting bracket you choose. Please call us.

Aluminium SuperTrough | Full set

Trough side parts sets - consisting of part ① ② ③ ④	Part No.	Weight
1 set of 2 trough side parts, incl. glide strips, without glide bars, 2m section	972.02.30.SLA**	≈ 6.00kg
1 set of 2 trough side parts, incl. glide strips, with glide bars, 2m section	972.02.31.SL	≈ 7.40kg

For an additional noise dampening with silencer profile, please add index **A to the Part No. Example: 972.02.30.SLA

Installation sets - consisting of part A B C D E	Part No.	Weight
1 installation set without C-profile	960.30	≈ 0.06kg
1 installation set with C-profile (C-profile length according to dimension B_{Ri})	960.30.XXX*	upon request

*Please add the C-profile length **XXX** as shown on the tables on the right page. Example: 960.30.175

Aluminium SuperTrough | Components as individual parts

Individual parts, trough	Part No.	Weight
① 1 trough side part, individual, 2m section	72.02.11	≈ 2.94kg
② 1 glide bar, plastic, individual, 2m section	82.79	≈ 1.30kg
③ 1 glide strip, plastic, individual, 2m section	75.01	≈ 0.06kg
④ 1 silencer profile, rubber, individual, 2m section (optional for an additional noise dampening)	75.67.H	≈ 0.16kg

Individual parts, installation set	Part No.	Weight
A 1 bottom clamp, aluminium individual	75.40	≈ 0.03kg
B 1 C-profile, individual (C-profile length according to dimension B_{Ri})	92.52.XXX.E*	≈ 0.90kg/m
C 1 screw M6 x 16, individual	MAT 0040209 / M6 x16	
D 1 glide nut, individual	MAT 0040057 / M6	
E 1 interface connector, individual	75.60	

Additional option for simple fixing of the e-chain® without drilling	Part No.
1 set fixed end module (more information ► Page 1214)	972.80.4

*Please add the C-profile length **XXX** as shown on the tables on the right page. Example: 92.52.125.E

C-profile also available in 304 stainless steel. Material 1.4301 (AISI 304). Please add index **E** to the Part No.

E4.31L/R4.31L				E4.28/R4.28				E61.35				E6.35			
Width index	B_{Ri} [mm]	Part No. attached inwards	Part No. attached outwards	Width index	B_{Ri} [mm]	Part No. attached inwards	Part No. attached outwards	Width index	B_{Ri} [mm]	Part No. attached inwards	Part No. attached outwards	Width index	B_{Ri} [mm]	Part No. attached inwards	Part No. attached outwards
.040	58	upon request	960.30.150	.040	64	upon request	960.30.175	.30	50	upon request	960.30.150	.030	54	upon request	960.30.150
.050	68	upon request	960.30.175	.050	74	960.30.125	960.30.175	.40	60	upon request	960.30.150	.040	64	upon request	960.30.175
.062	80	960.30.150	960.30.175	.062	86	960.30.150	960.30.200	.50	70	upon request	960.30.175	.050	74	960.30.125	960.30.175
.075	93	960.30.150	960.30.200	.075	94	960.30.150	960.30.200	.60	80	960.30.150	960.30.175	.060	84	960.30.150	960.30.200
.087	105	960.30.175	960.30.200	.087	99	960.30.150	960.30.200	.70	90	960.30.150	960.30.200	.070	94	960.30.150	960.30.200
.100	118	960.30.175	960.30.225	.100	111	960.30.175	960.30.225	.80	100	960.30.150	960.30.200	.080	104	960.30.150	960.30.200
.112	130	960.30.200	960.30.225	.112	124	960.30.175	960.30.225	.90	110	960.30.175	960.30.200	.090	114	960.30.175	960.30.225
.125	143	960.30.200	960.30.250	.125	149	960.30.200	960.30.250	1.00	120	960.30.175	960.30.225	.100	124	960.30.175	960.30.225
.137	155	960.30.225	960.30.250	.150	174	960.30.225	960.30.275	1.10	130	960.30.200	960.30.225	.110	134	960.30.200	960.30.250
.150	168	960.30.225	960.30.275	.175	199	960.30.250	960.30.300	1.20	140	960.30.200	960.30.250	.120	144	960.30.200	960.30.250
.162	180	960.30.250	960.30.275	.200	224	960.30.275	960.30.325	1.40	160	960.30.225	960.30.250				
.175	193	960.30.250	960.30.300	.225	249	960.30.300	960.30.350								
.187	205	960.30.275	960.30.300	.250	274	960.30.325	960.30.375								
.200	218	960.30.275	960.30.325	.275	299	960.30.350	960.30.400								
				.300	324	960.30.375	960.30.425								



Safely guide an e-chain® for a longer travel. Aluminium SuperTrough is increasingly popular because of corrosion resistance, weight saving and faster assembly

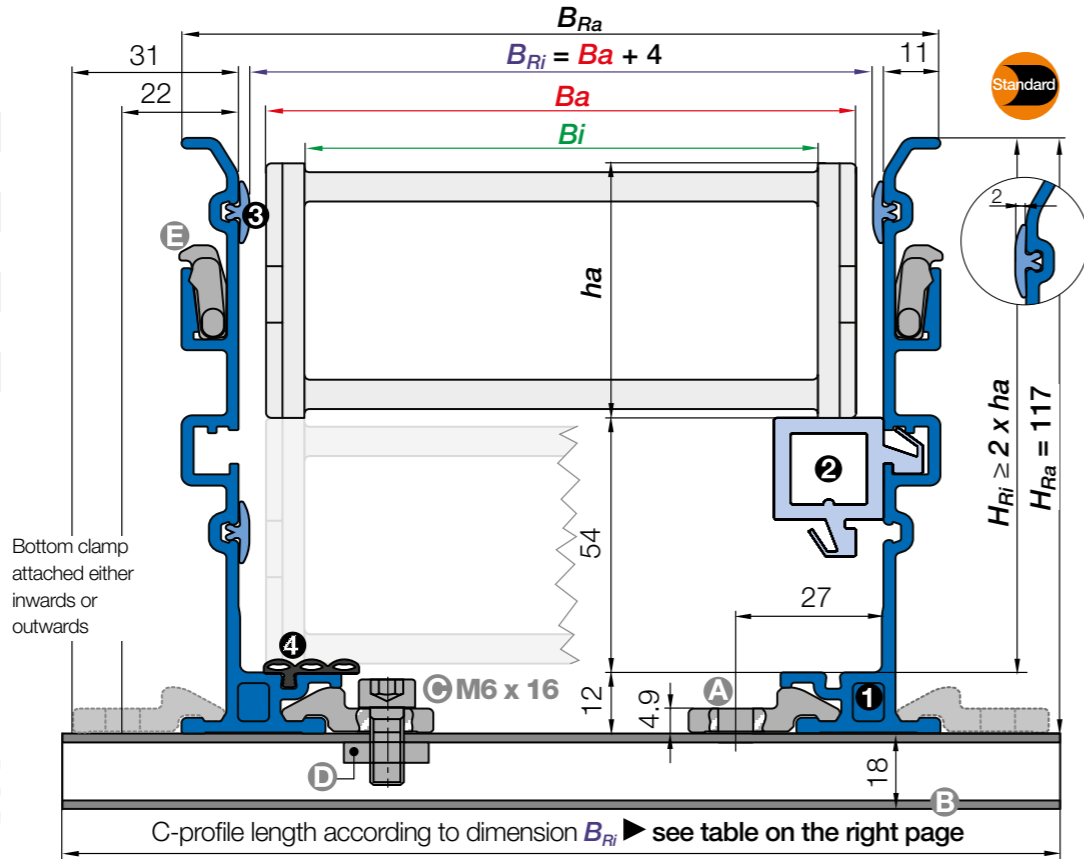
Heavy-duty version for high load applications

- This aluminium SuperTrough is also available with special heavy-duty brackets for secure connection
 - You can configure the heavy-duty version using our online catalogue
 - Installation set Part No. 972.50.
- More information ► www.igus.eu/alu-guide



For the following igus® series

- E4.1L**
- E4.38L/R4.38L
- E4.1**
- E4.32/H4.32/R4.32
- E6.1**
- E61.40
- E6**
- E6.40/R6.40



Note: The inner width of the guide through and the C-profile length of the installation set can differ according to the mounting bracket you choose. Please call us.

Aluminium SuperTrough | Full set

Trough side parts sets - consisting of part ① ② ③ ④	Part No.	Weight
1 set of 2 trough side parts, incl. glide strips, without glide bars, 2m section	972.30.SLA**	≈ 6.00kg
1 set of 2 trough side parts, incl. glide strips, with glide bars, 2m section	972.31.SL	≈ 7.40kg

For an additional noise dampening with silencer profile, please add index **A to the Part No. Example: 972.30.SLA

Installation sets - consisting of part A B C D E	Part No.	Weight
1 installation set without C-profile	960.30	≈ 0.06kg
1 installation set with C-profile (C-profile length according to dimension B_{Ri})	960.30.XXX*	upon request

*Please add the C-profile length **XXX** as shown on the tables on the right page. Example: 960.30.150

Aluminium SuperTrough | Components as individual parts

Individual parts, trough	Part No.	Weight
① 1 trough side part, individual, 2m section	72.11	≈ 2.94kg
② 1 glide bar, plastic, individual, 2m section	82.79	≈ 0.60kg
③ 1 glide strip, plastic, individual, 2m section	75.01	≈ 0.06kg
④ 1 silencer profile, rubber, individual, 2m section (optional for an additional noise dampening)	75.67.H	≈ 0.16kg

Individual parts, installation set	Part No.	Weight
A 1 bottom clamp, aluminium individual	75.40	≈ 0.03kg
B 1 C-profile, individual (C-profile length according to dimension B_{Ri})	92.52.XXX.E*	≈ 0.90kg/m
C 1 screw M6 x 16, individual	MAT 0040209 / M6 x16	
D 1 glide nut, individual	MAT 0040057 / M6	
E 1 interface connector, individual	75.60	

Additional option for simple fixing of the e-chain® without drilling	Part No.
1 set fixed end module (more information ► Page 1214)	972.80.4

*Please add the C-profile length **XXX** as shown on the tables on the right page. Example: 92.52.125.E

C-profile also available in 304 stainless steel. Material 1.4301 (AISI 304). Please add index **E** to the Part No.

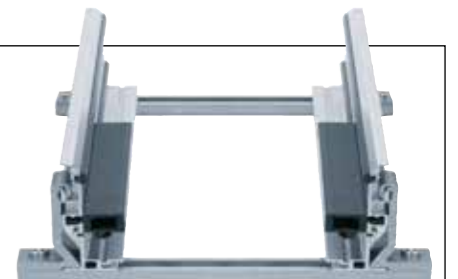
C-profile lengths (according to Dim. B_{Ri}) | Basic version

Bottom clamp attached either inwards or outwards

E4.38L/R4.38L			E4.32/H4.32/R4.32			E61.40			E6.40/R6.40		
Width index	B_{Ri} [mm]	Part No.	Width index	B_{Ri} [mm]	Part No.	Width index	B_{Ri} [mm]	Part No.	Width index	B_{Ri} [mm]	Part No.
		attached inwards			attached inwards			attached inwards			attached inwards
		attached outwards			attached outwards			attached outwards			attached outwards
050.	70	upon request	05	77	960.30.125	040	60	upon request	040	64	upon request
062.	82	upon request	06	95	960.30.150	086	74	960.30.125	050	74	960.30.125
075.	95	upon request	07	102	960.30.150	088	76	960.30.125	062	86	960.30.150
087.	107	upon request	08	114	960.30.175	098	86	960.30.150	070	94	960.30.150
100.	120	960.30.175	10	127	960.30.175	106	94	960.30.150	075	99	960.30.150
105.	125	960.30.175	11	135	960.30.200	111	99	960.30.150	087	111	960.30.175
112.	132	960.30.200	12	140	960.30.200	123	111	960.30.175	100	124	960.30.175
125.	145	960.30.200	13	152	960.30.200	136	124	960.30.175	125	149	960.30.200
137.	157	960.30.225	14	165	960.30.225	149	149	960.30.200	150	174	960.30.225
150.	170	960.30.225	15	177	960.30.225	161	174	960.30.225	175	199	960.30.250
162.	182	960.30.250	16	190	960.30.250	177	199	960.30.250	200	224	960.30.275
175.	195	960.30.250	17	195	960.30.250	186	224	960.30.275	225	249	960.30.300
187.	207	960.30.275	18	202	960.30.250	198	249	960.30.300	250	274	960.30.325
200.	220	960.30.275	19	215	960.30.275	206	274	960.30.325	275	299	960.30.350
212.	232	960.30.300	20	227	960.30.275	218	299	960.30.350	300	324	960.30.375
225.	245	960.30.300	21	240	960.30.300	231	324	960.30.375			
237.	257	960.30.325	22	252	960.30.300						
250.	270	960.30.325	23	265	960.30.325						
262.	282	960.30.325	24	277	960.30.325						
275.	295	960.30.350	25	290	960.30.350						
287.	307	960.30.350	26	302	960.30.350						
300.	320	960.30.375	27	315	960.30.375						
312.	332	960.30.375	28	327	960.30.375						
325.	345	960.30.400	29	340	960.30.400						
337.	357	960.30.400	30	352	960.30.400						
350.	370	960.30.425	31	365	960.30.425						
362.	382	960.30.450	32	377	960.30.425						
375.	395	960.30.450	33	390	960.30.450						
387.	407	960.30.450	34	402	960.30.450						
400.	420	960.30.475	35	415	960.30.475						
			36	427	960.30.475						

Heavy-duty version for high load applications

- This aluminium SuperTrough is also available with special heavy-duty brackets for secure connection
 - You can configure the heavy-duty version using our online catalogue
 - Installation set Part No. 972.50.
- More information ► www.igus.eu/alu-guide



For the following igus® series

E2.1

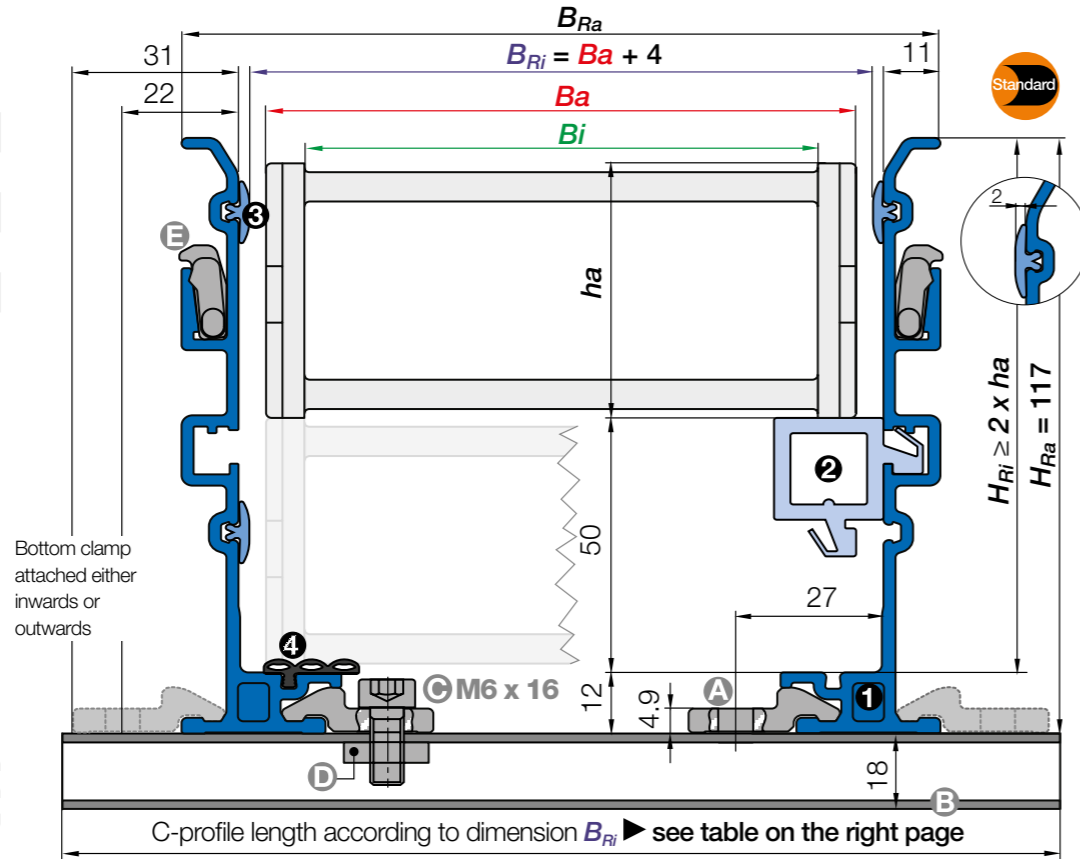
● E2.38

● E2/000

● 2700

● E2R

● R58



Note: The inner width of the guide through and the C-profile length of the installation set can differ according to the mounting bracket you choose. Please call us.

Aluminium SuperTrough | Full set

Trough side parts sets - consisting of part 1 2 3 4	Part No.	Weight
1 set of 2 trough side parts, incl. glide strips, without glide bars, 2m section	972.30.SLA**	≈ 6.00kg
1 set of 2 trough side parts, incl. glide strips, with glide bars, 2m section	972.32.SL	≈ 7.40kg

For an additional noise dampening with silencer profile, please add index **A to the Part No. Example: 972.30.SLA

Installation sets - consisting of part A B C D E	Part No.	Weight
1 installation set without C-profile	960.30	≈ 0.06kg
1 installation set with C-profile (C-profile length according to dimension B_{Ri})	960.30.XXX*	upon request

*Please add the C-profile length **XXX** as shown on the tables on the right page. Example: 960.30.150

Aluminium SuperTrough | Components as individual parts

Individual parts, trough	Part No.	Weight
1 trough side part, individual, 2m section	72.11	≈ 2.94kg
1 glide bar, plastic, individual, 2m section	82.79	≈ 0.60kg
1 glide strip, plastic, individual, 2m section	75.01	≈ 0.06kg
1 silencer profile, rubber, individual, 2m section (optional for an additional noise dampening)	75.67.H	≈ 0.16kg

Individual parts, installation set	Part No.	Weight
1 bottom clamp, aluminium individual	75.40	≈ 0.03kg
1 C-profile, individual (C-profile length according to dimension B_{Ri})	92.52.XXX.E*	≈ 0.90kg/m
1 screw M6 x 16, individual	MAT 0040209 / M6 x16	
1 glide nut, individual	MAT 0040057 / M6	
1 interface connector, individual	75.60	

Additional option for simple fixing of the e-chain® without drilling	Part No.
1 set fixed end module (more information ► Page 1214)	972.80.4

*Please add the C-profile length **XXX** as shown on the tables on the right page. Example: 92.52.125.E

C-profile also available in 304 stainless steel. Material 1.4301 (AISI 304). Please add index **E** to the Part No.

E2.38		2700		R58			
Width index	B_{Ri} [mm]	Part No. attached inwards	Part No. attached outwards	Part No. attached inwards	Part No. attached outwards		
.50	70	upon request	960.30.175	.050	70	upon request	960.30.175
.65	85	960.30.150	960.30.200	.075	95	960.30.150	960.30.200
.75	95	960.30.150	960.30.200	.100	120	960.30.175	960.30.225
.90	110	960.30.175	960.30.225	.125	145	960.30.200	960.30.250
.100	120	960.30.175	960.30.225	.150	170	960.30.225	960.30.275
.125	145	960.30.200	960.30.250	.175	195	960.30.250	960.30.300
.150*	170	960.30.225	960.30.275	.200	220	960.30.275	960.30.325
.175	198	960.30.250	960.30.300				



Due to the Compact design of the Aluminium SuperTrough, less space is required along the travel distance. Long travel crane; 32m travel, operating speed 80m/min.

Heavy-duty version for high load applications

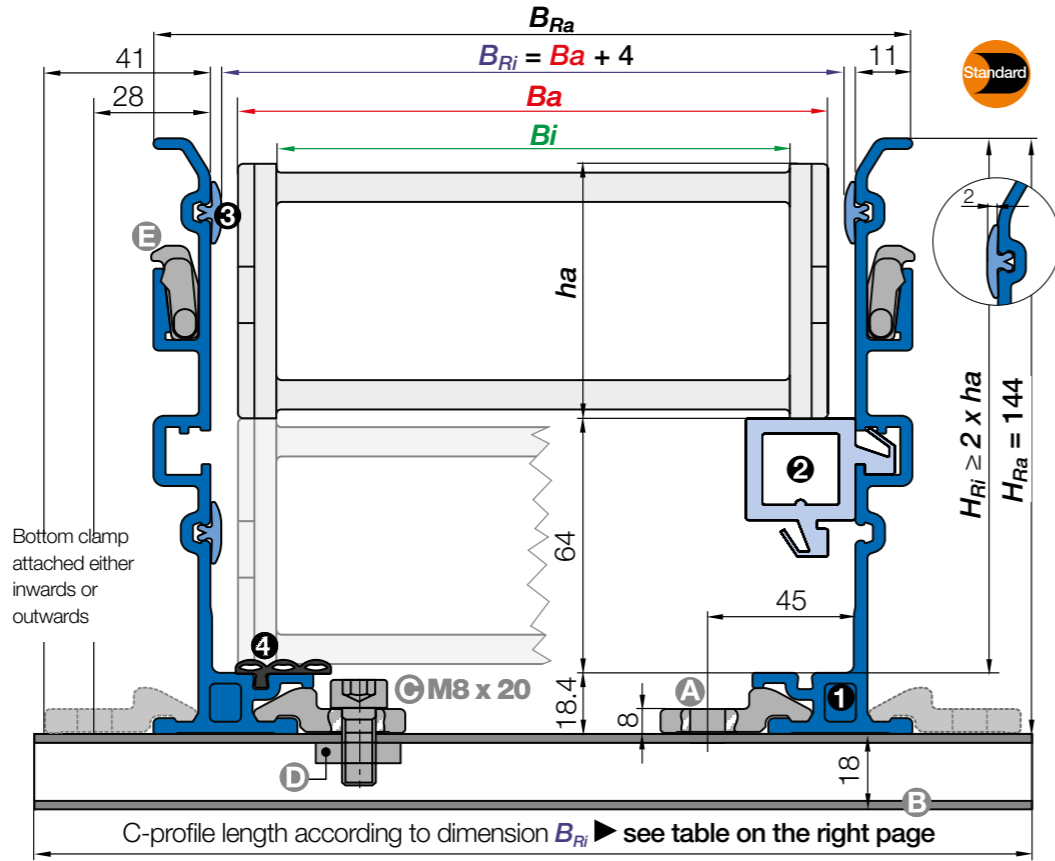
- This aluminium SuperTrough is also available with special heavy-duty brackets for secure connection
 - You can configure the heavy-duty version using our online catalogue
 - Installation set Part No. 972.50.
- More information ► www.igus.eu/alu-guide



For the following igus® series

- E2.1**
- E2.48
- E2/000**
- 3500
- E2 R**
- R68
- E4.1L**
- E4.48L/R4.48L
- E4.1**
- E4.42/H4.42/R4.42
- E6.1**
- E61.52
- E6**
- E6.52/R6.52

Note: The inner width of the guide through and the C-profile length of the installation set can differ according to the mounting bracket you choose. Please call us.



Aluminium SuperTrough | Full set

Trough side parts sets - consisting of part 1 2 3 4	Part No.	Weight
1 set of 2 trough side parts, incl. glide strips, without glide bars, 2m section	973.30.SLA**	≈ 8.00kg
1 set of 2 trough side parts, incl. glide strips, with glide bars, 2m section	973.31.SL	≈ 10.8kg

For an additional noise dampening with silencer profile, please add index **A to the Part No. Example: 973.30.SLA

Installation sets - consisting of part A B C D E	Part No.	Weight
1 installation set without C-profile	960.40	≈ 0.08kg
1 installation set with C-profile (C-profile length according to dimension B_{Ri})	960.40.XXX*	upon request

*Please add the C-profile length **XXX** as shown on the tables on the right page. Example: 960.40.175

Aluminium SuperTrough | Components as individual parts

Individual parts, trough	Part No.	Weight
1 trough side part, individual, 2m section	73.11	≈ 3.94kg
1 glide bar, plastic, individual, 2m section	83.79	≈ 1.30kg
1 glide strip, plastic, individual, 2m section	75.01	≈ 0.06kg
1 silencer profile, rubber, individual, 2m section (optional for an additional noise dampening)	75.68.H	≈ 0.38kg

Individual parts, installation set	Part No.	Weight
A 1 bottom clamp, aluminium individual	75.50	≈ 0.04kg
B 1 C-profile, individual (C-profile length according to dimension B_{Ri})	92.52.XXX.E*	≈ 0.90kg/m
C 1 screw M6 x 16, individual	MAT 0040445 / M8 x 20	
D 1 glide nut, individual	MAT 0040413 / M8	
E 1 interface connector, individual	75.60	

Additional option for simple fixing of the e-chain® without drilling	Part No.
1 set fixed end module (more information ► Page 1214)	973.80.5A) / 973.81.5B)

*Please add the C-profile length **XXX** as shown on the tables on the right page. Example: 92.52.125.E

C-profile also available in 304 stainless steel. Material 1.4301 (AISI 304). Please add index **E** to the Part No.

A) - for series 3500, R68 B) - for series E4.42/H4.42/R4.42, E4.48L/R4.48L, E6.52/R6.52

E2.48		3500		R68		E4.48L/R4.48L		E4.42/H4.42/R4.42			
Width index	B_{Ri} [mm]	Part No. attached inwards	Part No. attached outwards	Width index	B_{Ri} [mm]	Part No. attached inwards	Part No. attached outwards	Width index	B_{Ri} [mm]	Part No. attached inwards	Part No. attached outwards
.050	74	upon request	960.40.200	.050	74	upon request	960.40.200	.050	74	upon request	960.40.200
.075	99	upon request	960.40.225	.075	99	upon request	960.40.225	.062	86	upon request	960.40.200
.100	124	960.40.175	960.40.250	.100	124	960.40.175	960.40.250	.075	99	upon request	960.40.225
.115	139	960.40.200	960.40.275	.115	139	960.40.200	960.40.275	.087	111	960.40.175	960.40.250
.125	149	960.40.200	960.40.275	.125	149	960.40.200	960.40.275	.100	124	960.40.175	960.40.250
.150	174	960.40.225	960.40.300	.150	174	960.40.225	960.40.300	.105	125	960.40.200	960.40.275
.175	199	960.40.250	960.40.325	.175	199	960.40.250	960.40.325	.112	136	960.40.200	960.40.250
.200	224	960.40.275	960.40.350	.200	224	960.40.275	960.40.350	.125	149	960.40.225	960.40.275
.225	249	960.40.300	960.40.375	.225	249	960.40.300	960.40.375	.137	161	960.40.225	960.40.275
.250	274	960.40.325	960.40.400	.250	274	960.40.325	960.40.400	.150	174	960.40.250	960.40.300
								.162	186	960.40.250	960.40.300
								.175	199	960.40.275	960.40.325
								.187	211	960.40.275	960.40.325
								.200	224	960.40.300	960.40.350
								.212	236	960.40.300	960.40.350
								.225	249	960.40.325	960.40.375
								.237	261	960.40.325	960.40.375
								.250	274	960.40.325	960.40.375
								.262	282	960.40.325	960.40.375
								.275	295	960.40.350	960.40.400
								.287	307	960.40.350	960.40.400
								.300	320	960.40.375	960.40.425
								.312	332	960.40.375	960.40.425
								.325	345	960.40.400	960.40.450
								.337	357	960.40.400	960.40.450
								.350	370	960.40.425	960.40.475
								.362	382	960.40.450	960.40.475
								.375	395	960.40.450	960.40.500
								.387	407	960.40.450	960.40.500
								.400	420	960.40.475	960.40.500
								.400	430	960.40.500	960.40.550

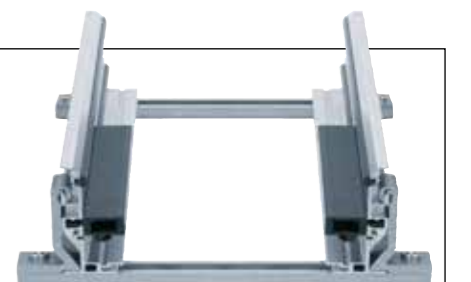
E61.52/E6.52/R6.52

Width index	B_{Ri} [mm]	Part No. attached inwards	Part No. attached outwards
.040	68	upon request	960.40.200
.050	78	upon request	960.40.200
.062	90	upon request	960.40.225
.070	98	upon request	960.40.225
.075	103	upon request	960.40.225
.087	115	upon request	960.40.250
.100	128	960.40.175	960.40.250
.125	153	960.40.200	960.40.275
.150	178	960.40.225	960.40.300
.175	203	960.40.250	960.40.325
.200	228	960.40.275	960.40.350
.225	253	960.40.300	960.40.375
.250	278	960.40.325	960.40.400
.275	303	960.40.350	960.40.425
.300	328	960.40.375	960.40.450

Heavy-duty version for high load applications

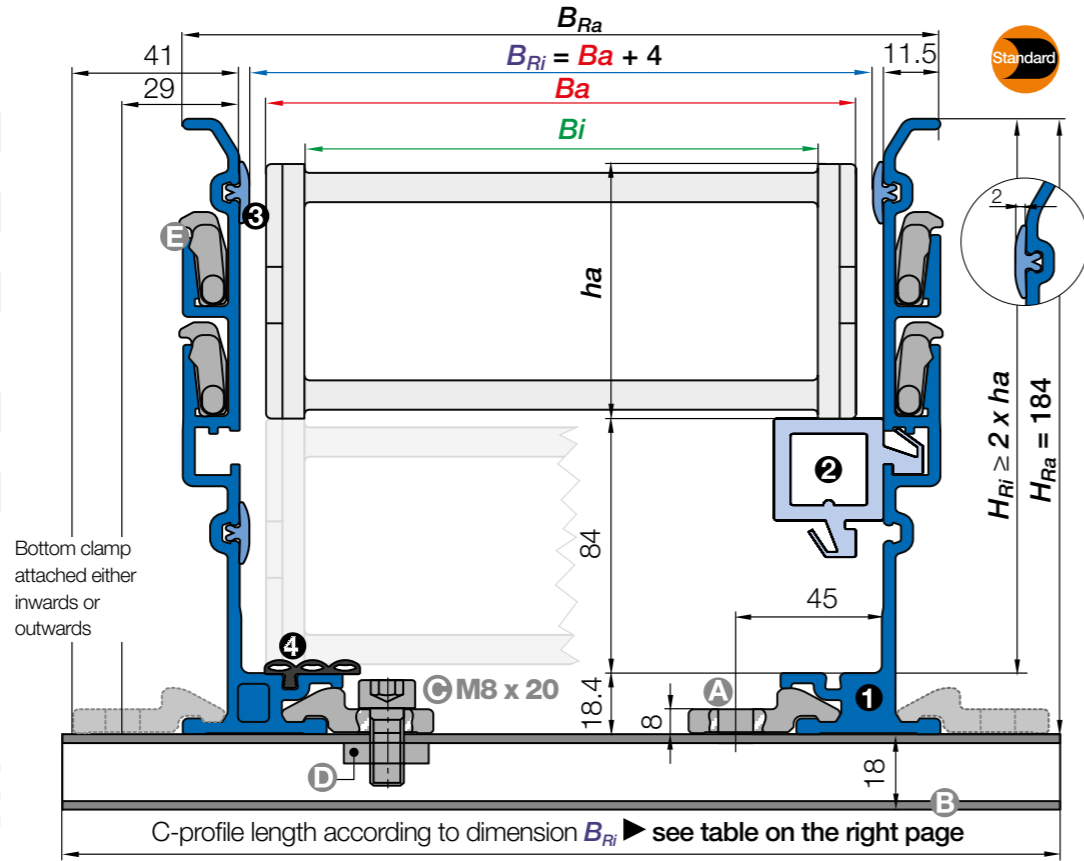
- This aluminium SuperTrough is also available with special heavy-duty brackets for secure connection
- You can configure the heavy-duty version using our online catalogue
- Installation set Part No. 973.50.

More information ► www.igus.eu/alu-guide



For the following igus® series

- E4.1L**
- E4.64L
- E4.1**
- E4.56/H4.56/R4.56
- E4/light**
- 14040/14140/R18840
- 14240/14340
- E6**
- E61.62
- E6**
- E6.62



Note: The inner width of the guide trough and the C-profile length of the installation set can differ according to the mounting bracket you choose. Please call us.

Aluminium SuperTrough | Full set

Trough side parts sets - consisting of part ① ② ③ ④	Part No.	Weight
1 set of 2 trough side parts, incl. glide strips, without glide bars, 2m section	974.30.SLA**	≈ 10.0kg
1 set of 2 trough side parts, incl. glide strips, with glide bars, 2m section	974.31.SL	≈ 12.8kg

For an additional noise dampening with silencer profile, please add index **A to the Part No. Example: 974.30.SLA

Installation sets - consisting of part A B C D E	Part No.	Weight
1 installation set without C-profile	960.50	≈ 0.08kg
1 installation set with C-profile (C-profile length according to dimension B_{Ri})	960.50.XXX*	upon request

*Please add the C-profile length **XXX** as shown on the tables on the right page. Example: 960.50.200

Aluminium SuperTrough | Components as individual parts

Individual parts, trough	Part No.	Weight
① 1 trough side part, individual, 2m section	74.11	≈ 4.94kg
② 1 glide bar, plastic, individual, 2m section	83.79	≈ 1.30kg
③ 1 glide strip, plastic, individual, 2m section	75.01	≈ 0.06kg
④ 1 silencer profile, rubber, individual, 2m section (optional for an additional noise dampening)	75.68.H	≈ 0.38kg

Individual parts, installation set	Part No.	Weight
A 1 bottom clamp, aluminium individual	75.50	≈ 0.04kg
B 1 C-profile, individual (C-profile length according to dimension B_{Ri})	92.52.XXX.E*	≈ 0.90kg/m
C 1 screw M6 x 16, individual	MAT 0040445 / M8 x 20	
D 1 glide nut, individual	MAT 0040413 / M8	
E 1 interface connector, individual	75.60	

Additional option for simple fixing of the e-chain® without drilling	Part No.
1 set fixed end module (more information ► Page 1214)	974.80.5A) / 974.81.5B)

*Please add the C-profile length **XXX** as shown on the tables on the right page. Example: 92.52.125.E

C-profile also available in 304 stainless steel. Material 1.4301 (AISI 304). Please add index **E** to the Part No.

A) - for series E4.56/H4.56/R4.56, E6.62 B) - for series 14040/14140/R18840, 14240/14340

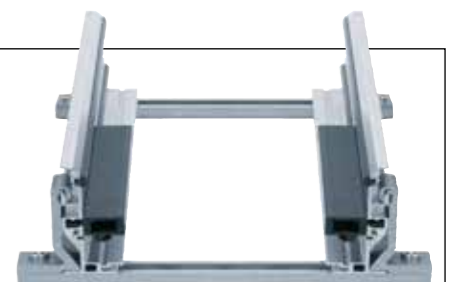
1230 More information ► www.igus.eu/alu-guide



E4.56/H4.56/R4.56				14040/14140/R18840				14240/14340				E61.62				E6.62			
Width B_{Ri} index	Part No. attached inwards	Part No. attached outwards	Part No. attached	Width B_{Ri} index	Part No. attached inwards	Part No. attached outwards	Part No. attached	Width B_{Ri} index	Part No. attached inwards	Part No. attached outwards	Part No. attached	Width B_{Ri} index	Part No. attached inwards	Part No. attached outwards	Part No. attached	Width B_{Ri} index	Part No. attached inwards	Part No. attached outwards	Part No. attached
.05	88	upon request	960.50.225	.05	80	upon request	960.50.200	.05	80	upon request	960.50.200	.05	86	upon request	960.50.200	.05	90	upon request	960.50.225
.06	103	upon request	960.50.225	.06	95	upon request	960.50.225	.06	98	upon request	960.50.225	.06	104	upon request	960.50.225	.06	108	upon request	960.50.225
.07	113	upon request	960.50.250	.07	105	upon request	960.50.225	.07	105	upon request	960.50.225	.07	111	upon request	960.50.225	.07	115	upon request	960.50.250
.08	125	960.50.175	960.50.250	.08	117	960.50.175	960.50.225	.08	118	960.50.175	960.50.250	.08	123	960.50.175	960.50.250	.08	127	960.50.175	960.50.250
.10	138	960.50.200	960.50.275	.10	130	960.50.200	960.50.250	.10	130	960.50.200	960.50.250	.10	136	960.50.200	960.50.250	.10	140	960.50.200	960.50.275
.11	151	960.50.200	960.50.275	.11	143	960.50.200	960.50.275	.11	138	960.50.200	960.50.275	.11	144	960.50.200	960.50.250	.11	148	960.50.200	960.50.275
.12	163	960.50.225	960.50.300	.12	155	960.50.225	960.50.275	.12	143	960.50.200	960.50.275	.12	148	960.50.200	960.50.275	.12	152	960.50.200	960.50.275
.13	176	960.50.225	960.50.300	.13	168	960.50.225	960.50.300	.12	155	960.50.225	960.50.275	.12	161	960.50.225	960.50.275	.12	165	960.50.225	960.50.300
.15	188	960.50.250	960.50.325	.15	180	960.50.250	960.50.300	.13	168	960.50.225	960.50.300	.13	173	960.50.225	960.50.300	.13	177	960.50.225	960.50.300
.16	201	960.50.250	960.50.325	.16	193	960.50.250	960.50.325	.15	180	960.50.250	960.50.300	.15	186	960.50.250	960.50.300	.15	190	960.50.250	960.50.325
.17	213	960.50.275	960.50.350	.17	205	960.50.275	960.50.325	.16	193	960.50.250	960.50.325	.16	198	960.50.250	960.50.325	.16	202	960.50.250	960.50.325
.18	226	960.50.275	960.50.350	.18	218	960.50.275	960.50.350	.17	198	960.50.250	960.50.325	.17	204	960.50.275	960.50.325	.17	208	960.50.275	960.50.325
.20	238	960.50.300	960.50.375	.20	230	960.50.300	960.50.350	.18	205	960.50.275	960.50.325	.18	211	960.50.275	960.50.325	.18	215	960.50.275	960.50.350
.21	251	960.50.300	960.50.375	.21	243	960.50.300	960.50.375	.18	218	960.50.275	960.50.350	.18	223	960.50.275	960.50.350	.18	227	960.50.275	960.50.350
.22	263	960.50.325	960.50.400	.22	255	960.50.325	960.50.375	.20	230	960.50.300	960.50.350	.20	236	960.50.300	960.50.350	.20	240	960.50.300	960.50.375
.23	276	960.50.325	960.50.400	.23	268	960.50.325	960.50.400	.21	243	960.50.300	960.50.375	.21	248	960.50.300	960.50.375	.21	252	960.50.300	960.50.375
.25	288	960.50.350	960.50.425	.25	280	960.50.350	960.50.400	.23	255	960.50.325	960.50.375	.23	261	960.50.325	960.50.375	.23	265	960.50.325	960.50.400
.26	301	960.50.350	960.50.425	.26	293	960.50.350	960.50.425	.23	268	960.50.325	960.50.400	.23	273	960.50.325	960.50.400	.23	277	960.50.325	960.50.400
.27	313	960.50.375	960.50.450	.27	305	960.50.375	960.50.425	.25	280	960.50.350	960.50.400	.25	286	960.50.350	960.50.400	.25	290	960.50.350	960.50.425
.28	326	960.50.375	960.50.450	.28	318	960.50.375	960.50.450	.26	293	960.50.350	960.50.425	.26	298	960.50.350	960.50.425	.26	302	960.50.350	960.50.425
.30	338	960.50.400	960.50.475	.30	330	960.50.400	960.50.450	.28	305	960.50.375	960.50.425	.28	311	960.50.375	960.50.425	.28	315	960.50.375	960.50.450
.31	351	960.50.400	960.50.475	.31	343	960.50.400	960.50.475	.29	318	960.50.375	960.50.450	.29	323	960.50.375	960.50.450	.29	327	960.50.375	960.50.450
.32	363	960.50.425	960.50.500	.32	355	960.50.425	960.50.475	.30	330	960.50.400	960.50.450	.30	336	960.50.400	960.50.450	.30	340	960.50.400	960.50.475
.33	376	960.50.425	960.50.500	.33	368	960.50.425	960.50.500	.31	343	960.50.400	960.50.475	.31	348	960.50.400	960.50.475	.31	352	960.50.400	960.50.475
.35	388	960.50.450	960.50.525	.35	380	960.50.450	960.50.500	.32	355	960.50.425	960.50.475	.32	361	960.50.425	960.50.475	.32	365	960.50.425	960.50.500
.36	401	960.50.450	960.50.525	.36	393	960.50.450	960.50.525	.33	368	960.50.425	960.50.500	.33	373	960.50.425	960.50.500	.33	377	960.50.425	960.50.500
.37	413	960.50.475	960.50.550	.37	405	960.50.475	960.50.525	.35	380	960.50.450	960.50.500	.35	386	960.50.450	960.50.500	.35	390	960.50.450	960.50.525
.38	426	960.50.475	960.50.550	.38	418	960.50.475	960.50.550	.36	393	960.50.450	960.50.525	.36	398	960.50.450	960.50.525	.36	402	960.50.450	960.50.525
.40	438	960.50.500	960.50.575	.40	430	960.50.500	960.50.550	.37	405	960.50.475	960.50.525	.37	411	960.50.475	960.50.525	.37	415	960.50.475	960.50.550
.41	451	960.50.500	960.50.575	.41	443	960.50.500	960.50.575	.38	418	960.50.475	960.50.550	.38	423	960.50.475	960.50.550	.38	427	960.50.475	960.50.550
.42	463	960.50.525	960.50.600	.42	455	960.50.525	960.50.575	.40	430	960.50.500	960.50.550	.40	436	960.50.500	960.50.550	.40	440	960.50.500	960.50.575
.43	476	960.50.525	960.50.600	.43	468	960.50.525	960.50.600												
.45	488	960.50.550	960.50.625	.45	480	960.50.550	960.50.600												
.46	501	960.50.550	960.50.625	.46	493	960.50.550	960.50.625												
.47	513	960.50.575	960.50.650	.47	505	960.50.575	960.50.625												
.48	526	960.50.575	960.50.650	.48	518	960.50.575	960.50.650												
.50	538	960.50.600	960.50.675	.50	530	960.50.600	960.50.650												
.51	551	960.50.600	960.50.675	.51	543	960.50.600	960.50.675												
.52	563	960.50.625	960.50.700	.52	555	960.50.625	960.50.675	.087	117	960.50.175	960.50.225								
.53	576	960.50.625	960.50.700	.53	568	960.50.625	960.50.700	.100	130	960.50.225	960.50.275								
.55	588	960.50.650	960.50.725	.55	580	960.50.650	960.50.700	.150	180	960.50.275	960.50.325								
.60	638	960.50.700	960.50.775	.60	630	960.50.700	960.50.750	.200	230	960.50.250	960.50.300								

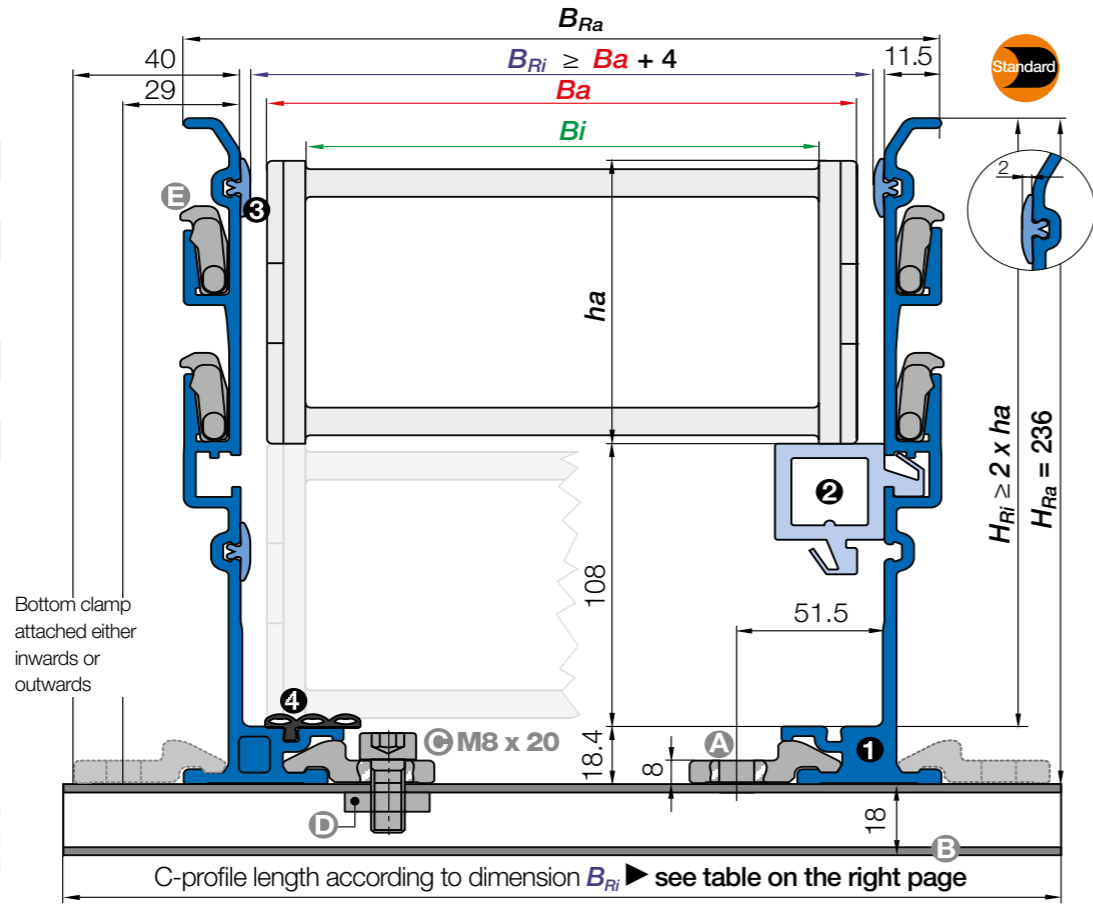
Heavy-duty version for high load applications

- This aluminium SuperTrough is also available with special heavy-duty brackets for secure connection
 - You can configure the heavy-duty version using our online catalogue
 - Installation set Part No. 974.50.
- More information ► www.igus.eu/alu-guide



For the following igus® series

- E4.1**
- E4.80/H4.80/R4.80
- E4/light**
- 15050/15150/R19850
- 15250/15350
- E6.1**
- E61.80
- E6**
- E6.80



Note: The inner width of the guide through and the C-profile length of the installation set can differ according to the mounting bracket you choose. Please call us.

Aluminium SuperTrough | Full set

Trough side parts sets - consisting of part ① ② ③ ④	Part No.	Weight
1 set of 2 trough side parts, incl. glide strips, without glide bars, 2m section	975.30.SLA**	≈ 14.0kg
1 set of 2 trough side parts, incl. glide strips, with glide bars, 2m section	975.31.SL	≈ 16.6kg

For an additional noise dampening with silencer profile, please add index **A to the Part No. Example: 975.30.SLA

Installation sets - consisting of part A B C D E	Part No.	Weight
1 installation set without C-profile	960.50	≈ 0.08kg
1 installation set with C-profile (C-profile length according to dimension B_{Ri})	960.50.XXX*	upon request

*Please add the C-profile length **XXX** as shown on the tables on the right page. Example: 960.50.200

Aluminium SuperTrough | Components as individual parts

Individual parts, trough	Part No.	Weight
① 1 trough side part, individual, 2m section	75.11	≈ 6.94kg
② 1 glide bar, plastic, individual, 2m section	83.79	≈ 1.30kg
③ 1 glide strip, plastic, individual, 2m section	75.01	≈ 0.06kg
④ 1 silencer profile, rubber, individual, 2m section (optional for an additional noise dampening)	75.68.H	≈ 0.38kg

Individual parts, installation set	Part No.	Weight
A 1 bottom clamp, aluminium individual	75.50	≈ 0.04kg
B 1 C-profile, individual (C-profile length according to dimension B_{Ri})	92.52.XXX.E*	≈ 0.90kg/m
C 1 screw M6 x 16, individual	MAT 0040445 / M8 x 20	
D 1 glide nut, individual	MAT 0040413 / M8	
E 1 interface connector, individual	75.60	

Additional option for simple fixing of the e-chain® without drilling	Part No.
1 set fixed end module (more information ► Page 1214)	975.80 ^A / 975.81 ^B

*Please add the C-profile length **XXX** as shown on the tables on the right page. Example: 92.52.125.E

C-profile also available in 304 stainless steel. Material 1.4301 (AISI 304). Please add index **E** to the Part No.

A) - for series E4.80/H4.80/R4.80, E6.80 B) - for series 15050/15150/R19850, 15250/15350

1232 More information ► www.igus.eu/alu-guide

C-profile lengths (according to Dim. B_{Ri}) | Basic version

Bottom clamp attached either inwards or outwards

E4.80/H4.80/R4.80				15050/15150/R19850				15250/15350				E61.80				E6.80			
Width index	B_{Ri} [mm]	Part No. attached inwards	Part No. attached outwards	Width index	B_{Ri} [mm]	Part No. attached inwards	Part No. attached outwards	Width index	B_{Ri} [mm]	Part No. attached inwards	Part No. attached outwards	Width index	B_{Ri} [mm]	Part No. attached inwards	Part No. attached outwards	Width index	B_{Ri} [mm]	Part No. attached inwards	Part No. attached outwards
.05	104	upon request	960.50.225	.05	84	upon request	960.50.200	.05	84	upon request	960.50.200	.05	104	upon request	960.50.225	.05	98	upon request	960.50.225
.06	119	upon request	960.50.250	.06	99	upon request	960.50.225	.06	102	upon request	960.50.225	.06	119	upon request	960.50.250	.06	113	upon request	960.50.225
.07	129	upon request	960.50.250	.07	109	upon request	960.50.225	.07	109	upon request	960.50.225	.07	129	upon request	960.50.250	.07	123	upon request	960.50.250
.08	141	960.50.200	960.50.275	.08	121	upon request	960.50.250	.08	121	upon request	960.50.250	.08	141	960.50.200	960.50.275	.08	148	960.50.200	960.50.275
.10	154	960.50.225	960.50.275	.10	134	upon request	960.50.250	.10	131	upon request	960.50.250	.10	154	960.50.225	960.50.275	.10	160	960.50.225	960.50.275
.11	167	960.50.225	960.50.300	.11	146	960.50.200	960.50.275	.11	134	upon request	960.50.250	.11	167	960.50.225	960.50.300	.11	173	960.50.225	960.50.300
.12	179	960.50.250	960.50.300	.12	159	960.50.225	960.50.275	.12	142	960.50.200	960.50.250	.12	179	960.50.250	960.50.300	.12	185	960.50.250	960.50.300
.13	192	960.50.250	960.50.325	.13	171	960.50.225	960.50.300	.13	147	960.50.200	960.50.275	.13	192	960.50.250	960.50.325	.13	198	960.50.250	960.50.325
.15	204	960.50.275	960.50.325	.15	184	960.50.250	960.50.300	.15	159	960.50.225	960.50.275	.15	204	960.50.275	960.50.325	.15	210	960.50.275	960.50.325
.16	217	960.50.275	960.50.350	.16	196	960.50.250	960.50.325	.16	171	960.50.225	960.50.300	.16	217	960.50.275	960.50.350	.16	223	960.50.275	960.50.350
.17	229	960.50.300	960.50.350	.17	209	960.50.275	960.50.325	.17	184	960.50.250	960.50.300	.17	229	960.50.300	960.50.350	.17	235	960.50.300	960.50.350
.18	242	960.50.300	960.50.375	.18	221	960.50.275	960.50.350	.18	197	960.50.250	960.50.325	.18	242	960.50.300	960.50.375	.18	248	960.50.300	960.50.375
.20	254	960.50.325	960.50.375	.20	234	960.50.300	960.50.350	.20	202	960.50.250	960.50.325	.20	254	960.50.325	960.50.375	.20	260	960.50.325	960.50.375
.21	267	960.50.325	960.50.400	.21	246	960.50.300	960.50.375	.21	209	960.50.275	960.50.325	.21	267	960.50.325	960.50.400	.21	273	960.50.325	960.50.400
.22	279	960.50.350	960.50.400	.22	259	960.50.325	960.50.375	.22	222	960.50.275	960.50.325	.22	279	960.50.350	960.50.400	.22	285	960.50.350	960.50.400
.23	292	960.50.350	960.50.425	.23	271	960.50.325	960.50.400	.23	234	960.50.300	960.50.350	.23	292	960.50.350	960.50.425	.23	298	960.50.350	960.50.425
.25	304	960.50.375	960.50.425	.25	284	960.50.350	960.50.400	.25	247	960.50.300	960.50.375	.25	304	960.50.375	960.50.425	.25	310	960.50.375	960.50.425
.26	317	960.50.375	960.50.450	.26	296	960.50.350	960.50.425	.26	259	960.50.325	960.50.375	.26	317	960.50.375	960.50.450	.26	323	960.50.375	960.50.450
.27	329	960.50.400	960.50.450	.27	309	960.50.375	960.50.425	.27	272	960.50.325	960.50.400	.27	329	960.50.400	960.50.450	.27	335	960.50.400	960.50.450
.28	342	960.50.400	960.50.475	.28	321	960.50.375	960.50.450	.28	284	960.50.350	960.50.400	.28	342	960.50.400	960.50.475	.28	348	960.50.400	960.50.475
.30	354	960.50.425	960.50.475	.30	334	960.50.400	960.50.450	.30	297	960.50.350	960.50.425	.30	354	960.50.425	960.50.475	.30	360	960.50.425	960.50.475
.31	367	960.50.425	960.50.500	.31	346	960.50.400	960.50.475	.31	309	960.50.375	960.50.425	.31	367	960.50.425	960.50.500	.31	373	960.50.425	960.50.500
.32	379	960.50.450	960.50.500	.32	359	960.50.425	960.50.475	.32	322	960.50.375	960.50.450	.32	379	960.50.450	960.50.500	.32	385	960.50.450	960.50.500
.33	392	960.50.450	960.50.525	.33	371	960.50.425	960.50.500	.33	334	960.50.400	960.50.450	.33	392	960.50.450	960.50.525	.33	398	960.50.450	960.50.525
.35	404	960.50.475	960.50.525	.35	384	960.50.450	960.50.500	.35	347	960.50.400	960.50.475	.35	404	960.50.475	960.50.525	.35	410	960.50.475	960.50.525
.36	417	960.50.475	960.50.550	.36	396	960.50.450	960.50.525	.36	359	960.50.425	960.50.475	.36	417	960.50.475	960.50.550	.36	423	960.50.475	960.50.550
.37	429	960.50.500	960.50.550	.37	409	960.50.475	960.50.525	.37	372	960.50.425	960.50.500	.37	429	960.50.500	960.50.550	.37	435	960.50.500	960.50.550
.38	442	960.50.500	960.50.575	.38	421	960.50.475	960.50.550	.38	384	960.50.450	960.50.500	.38	442	960.50.500	960.50.575	.38	448	960.50.500	960.50.575
.40	454	960.50.525	960.50.575	.40	434	960.50.500	960.50.550	.40	397	960.50.450	960.50.525	.40	454	960.50.525	960.50.575	.40	460	960.50.525	960.50.575
.41	467	960.50.525	960.50.600	.41	446	960.50.500	960.50.575	.41	409	960.50.475	960.50.525	.41	467	960.50.525	960.50.600	.41	473	960.50.525	960.50.600
.42	479	960.50.550	960.50.600	.42	459	960.50.525	960.50.575	.42	422	960.50.475	960.50.550	.42	479	960.50.550	960.50.600	.42	485	960.50.550	960.50.600
.43	492	960.50.550	960.50.625	.43	471	960.50.525	960.50.600	.43	434	960.50.500	960.50.550	.43	492	960.50.550	960.50.625	.43	498	960.50.550	960.50.625
.45	504	960.50.575	960.50.625	.45	484	960.50.550	960.50.600	.45	447	960.50.525	960.50.600	.45	504	960.50.575	960.50.625	.45	510	960.50.575	960.50.625
.46	517	960.50.575	960.50.650	.46	496	960.50.550	960.50.625	.46	460	960.50.525	960.50.600	.46	517	960.50.575	960.50.650	.46	523	960.50.575	960.50.650
.47	529	960.50.600	960.50.650	.47	509	960.50.575	960.50.625	.47	473	960.50.525	960.50.600	.47	529	960.50.600	960.50.650	.47	535	960.50.600	960.50.650
.48	542	960.50.600	960.50.675	.48	521	960.50.575	960.50.650	.48	486	960.50.525	960.50.600	.48	542	960.50.600	960.50.675	.48	548	960.50.600	960.50.675
.50	554	960.50.625	960.50.675	.50	534	960.50.600	960.50.650	.50	500	960.50.525	960.50.600	.50	554	960.50.625	960.50.675	.50	560	960.50.625	960.50.675
.51	567	960.50.625	960.50.700	.51	546	960.50.600	960.50.675	.51	513	960.50.525	960.50.600	.51	567	960.50.625	960.50.700	.51	573	960.50.625	960.50.700
.52	579	960.50.650	960.50.700	.52	559	960.50.625	960.50.675	.52	526	960.50.525	960.50.600	.52	579	960.50.650	960.50.700	.52	585	960.50.650	960.50.700
.53	592	960.50.650	960.50.725	.53	571	960.50.625	960.50.700	.53	539	960.50.525	960.50.600	.53	592	960.50.650	960.50.725	.53	598	960.50.650	960.50.725
.55	604	960.50.675	960.50.725	.55	584	960.50.650	960.50.700	.55	552	960.50.525	960.50.600	.55	604	960.50.675	960.50.725	.55	610	960.50.675	960.50.725
.60	654	960.50.725	960.50.775	.60	634	960.50.700	960.50.750	.60	602	960.50.525	960.50.600	.60	654	960.50.725	960.50.775	.60	660	960.50.725	960.50.775



Steel guide trough

Very tough for heavy-duty applications



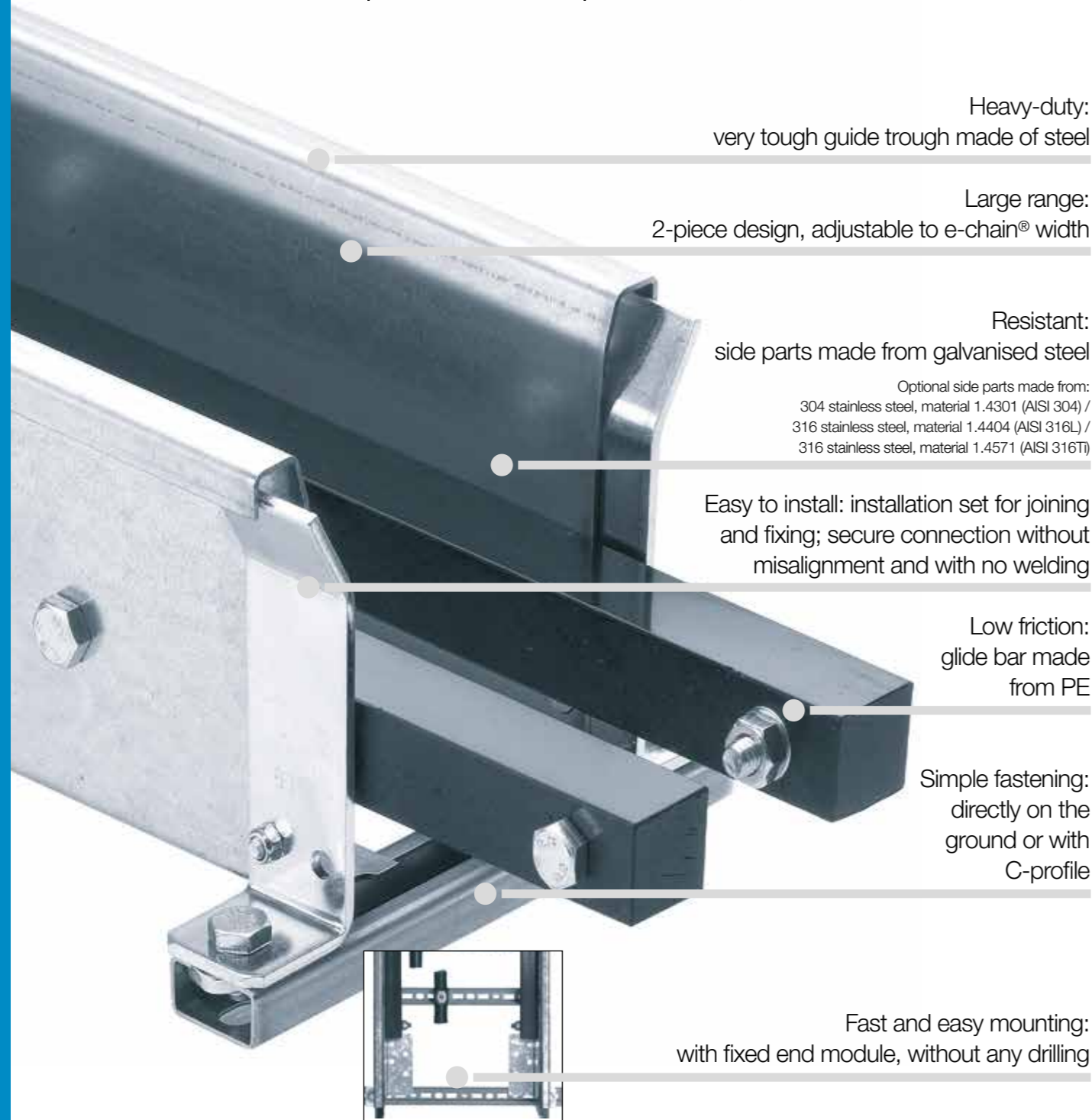
Advantages of the steel guide trough

- Very tough guide trough for applications in tough environments
- Easy assembly due to installation set design
- Easy mounting directly to the C-profile
- Large range, 2-piece design, adjustable to e-chain® width
- Available in galvanised steel and stainless steel
- Low friction: Glide bar made of PE
- Fixed end module option, for fast and easy fitting without any drilling
- Conductivity according to DIN EN 61537 - as standard



When to use another guide trough:

- When a corrosion-resistant, seawater-resistant aluminium trough is required,
 - ▶ Aluminium SuperTroughs, page 1208



Heavy-duty:
very tough guide trough made of steel

Large range:
2-piece design, adjustable to e-chain® width

Resistant:
side parts made from galvanised steel

Optional side parts made from:
304 stainless steel, material 1.4301 (AISI 304) /
316 stainless steel, material 1.4404 (AISI 316L) /
316 stainless steel, material 1.4571 (AISI 316Ti)

Easy to install: installation set for joining
and fixing; secure connection without
misalignment and with no welding

Low friction:
glide bar made
from PE

Simple fastening:
directly on the
ground or with
C-profile

Fast and easy mounting:
with fixed end module, without any drilling

Very tough for heavy-duty applications - steel guide trough

If the igus® installation sets are used, the guide troughs are very easy to assemble. All steel guide troughs are constructed according to the same basic design. On the following pages, you will find information about dimensions, weights and accessories. All sizes use a common C-profile on which the guide parts are assembled. The installation brackets used vary in height only. Conductivity according to DIN EN 61537 - as standard.

Part No. without glide bars	Part No. with glide bars	Outer height H_{Ra} [mm]	Part No. installation set	Side part material	Page
92.30	92.31	70	92.50	galvanised steel ¹⁾	1242
95.30	95.31	100	95.50	galvanised steel ¹⁾	1244
99.30	99.31	100	95.50	galvanised steel ¹⁾	1246
97.30	97.31	130	93.50	galvanised steel ¹⁾	1248
93.30	93.31	130	93.50	galvanised steel ¹⁾	1250
94.30	94.31	170	94.50	galvanised steel ¹⁾	1252
94.14550.30	94.14550.31	170	94.50	galvanised steel ¹⁾	1254
96.30	96.31	220	96.50	galvanised steel ¹⁾	1256
98.30	98.31	300	98.50	galvanised steel ¹⁾	1258
90.30	90.31	480	90.50	galvanised steel ¹⁾	1260
91.10 - 91.71²⁾		48	–	galvanised steel	1241

1) Optional: 304 stainless steel, material 1.4301 (AISI 304) / 316 stainless steel, material 1.4404 (AISI 316L) / 316 stainless steel, material 1.4571 (AISI 316Ti)

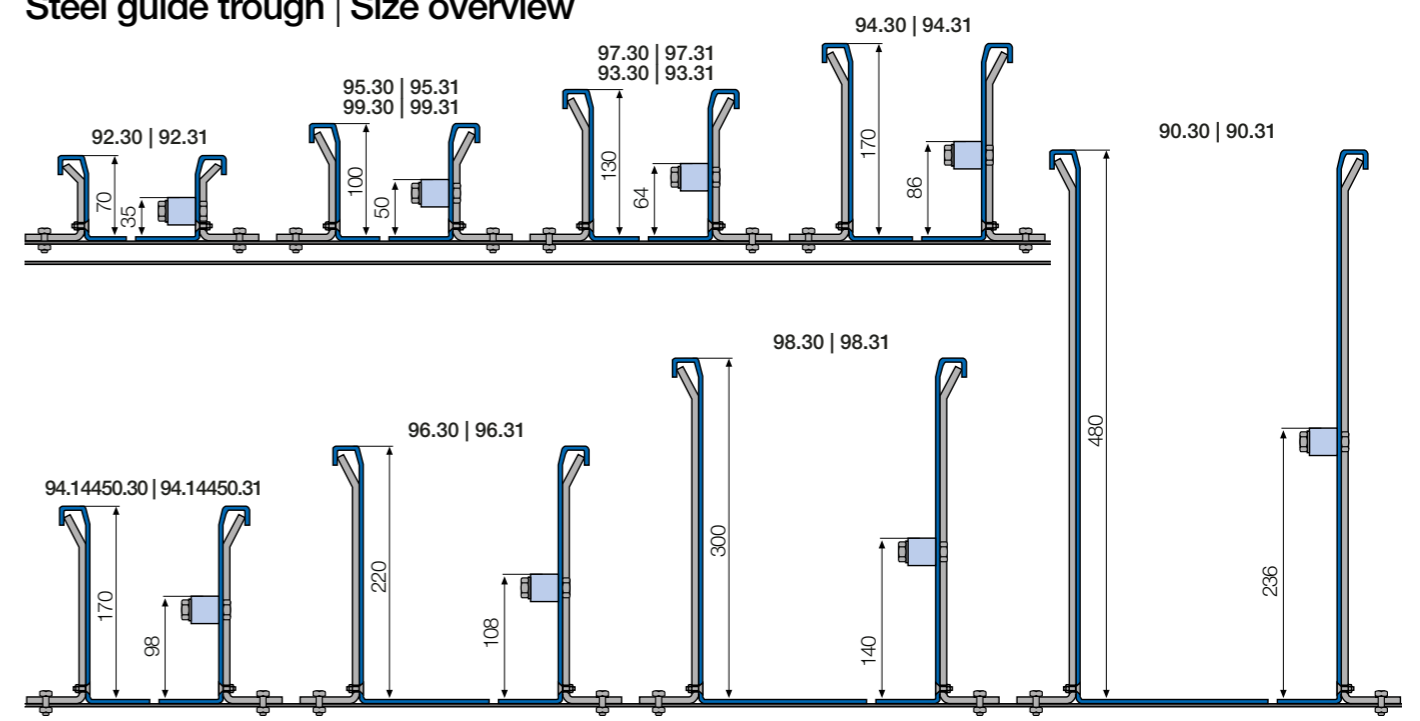
2) Steel guide trough, 1 piece Only for series 10, 15 and B15



Available from stock. Ready to ship in 24 - 48 hrs.*

*The delivery times indicated correspond to the average time until the ordered goods are dispatched.

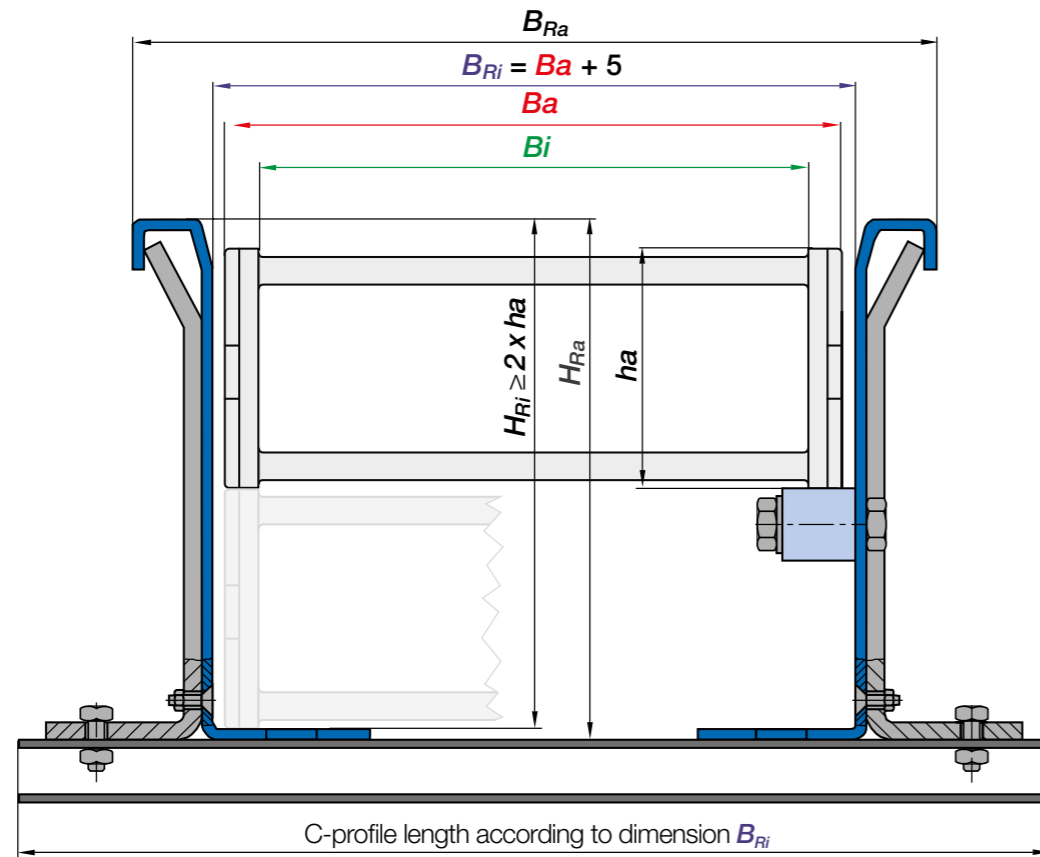
Steel guide trough | Size overview



Components

- = Guide trough¹⁾
- = Glide bar
- = Installation set
- = C-profile²⁾

- B_a = e-chain[®] outer width
- B_i = e-chain[®] inner width
- h_a = e-chain[®] outer height
- H_{Ri} = Trough inner height
- H_{Ra} = Trough outer height
- B_{Ri} = Trough inner width
- B_{Ra} = Trough outer width
- n_{Mon} = number of installation sets (left/right)
- n_{Ri} = Number of trough sets (left/right)

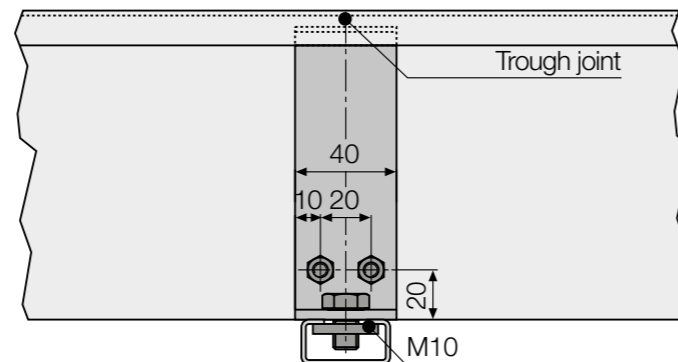


1) Guide trough side parts made from galvanised steel. Optional: 304 stainless steel, material 1.4301 (AISI 304) / 316 stainless steel, material 1.4404 (AISI 316L) / 316 stainless steel, material 1.4571 (AISI 316Ti) 2) C-profile also available in 304 stainless steel. Material 1.4301 (AISI 304)

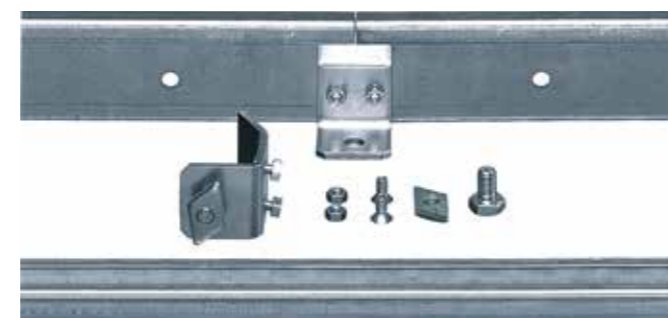
Steel guide trough | Features



Steel guide trough available without and with glide bars



Side view of trough joint - steel guide troughs - all dimensions except height apply to all sizes



Installation set for joining and fixing; secure connection without misalignment and with no welding

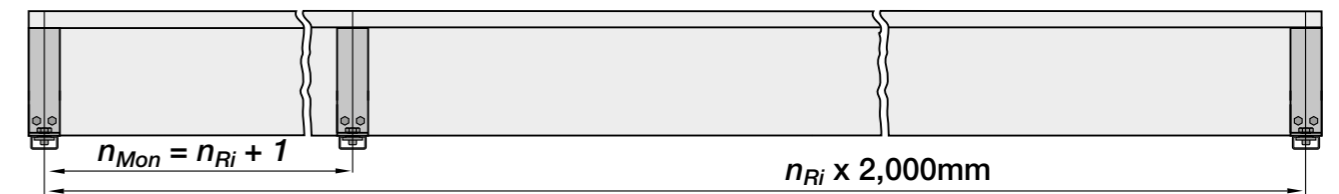
Configured according to your requirements



Quickly and easily assemble the right trough for your application

- Selection of the suitable guide trough according to the e-chain[®] series and e-chain[®] width B_i
- Determine the infeed point of the cables
- Determine travel distance and thus the length of the required guide trough and the number of trough pieces. (Standard length of a trough side part: 2,000mm). For centre infeed, the length of the guide trough is calculated from half the travel length with and half the travel length without the glide bar
- Number and type of the installation set

The quantity of the installation set is calculated from the number of the trough pieces + 1 set:



- The installation set matches the igus[®] C-profile option
- If you have opted for an e-chain[®] with KMA mounting brackets, we offer a fixed end module for the quick and simple fixing of the e-chain[®] in the trough without drilling
- **Installation Guide PDF with detailed assembly information** ► www.igus.eu/installation-guide-pdf

Order example | Examples based on Part No. 94.30 | 94.31

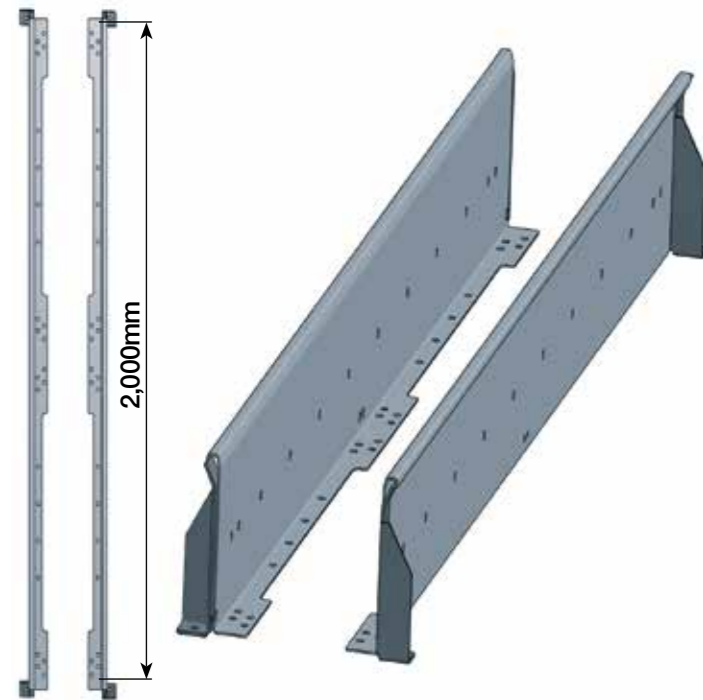
Order example: length of travel 30m - centre fixed for series E4.56.20.300.0 with $B_{Ri} = 239$

Guide trough set (set of 2 trough side parts, incl. glide strips) without glide bars	94.30
Order text: 16m guide trough without glide bar (8 x 2m sections)	
Guide trough set (set of 2 trough side parts, incl. glide strips) with glide bar	94.31
Order text: 16m guide trough with glide bar (8 x 2m sections)	
Installation set basic complete (quantity: guide trough sets + 1)	94.50.350
Order text: 17 installation sets	
Fixed end module	94.80.01
Order text: 1 set	

Calculation - travel centre fixed: half travel length, rounded to full 2m sections = X m.
Guide trough length **without** glide bars + X m guide trough length **with** glide bars + installation sets (number of trough pieces + 1)

Steel guide trough | Fixed end module

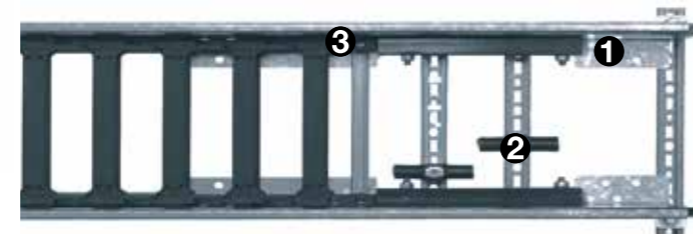
Quick and simple fixing onto the steel guide trough



When installing the mounting brackets at the fixed end, the steel trough normally needs to be drilled to match the mounting bracket hole pattern. With the new fixed end module the holes are pre-prepared so that the 2,000mm long component can be used for centre fed, end fed and even for reverse fed applications.

- ❶ Fast fixation of igus® mounting brackets thanks to prefabricated holes
- ❷ Fast installation of C-profile for strain relief
- ❸ Fast bolting of glide bars

Industries: power plants, coal conveyors, mining, composting plants, raw material storage, gypsum plants, etc.



Series	For steel guide trough	For e-chain® series
90.80.01*	90.30 90.31	800, 840
92.80.01	92.30 92.31	E2.26, 2500, 255, E6.29/R6.29, EF61.29/E61.29
93.80.01	93.30 93.31	E2.48, 3500, R68, E4.42/H4.42/R4.42, E4.48L/R4.48L, E6.52/R6.52, E61.52
94.80.01	94.30 94.31	E4.56/H4.56/R4.56, 14040/14140 /R18840, 14240/14340, E6.62, E4.64L
95.80.01	95.30 95.31	E2.38, 2700
96.80.01	96.30 96.31	E4.80/H4.80/R4.80, 15050/15150/R19850, E6.80, E61.80
97.80.01	97.30 97.31	E4.32/H4.32/R4.32, E4.38L/R4.38L, E6.40/R6.40, E61.40
98.80.01	98.30 98.31	E4.112/R4.112, 1640/R1608
99.80.01	99.30 99.31	E4.28/R4.28, E4.31L/R4.31L, E6.35, E61.35
94.14550.80.01*	94.14550.30 94.14550.31	14550/14650/R19050

*Fixed end module available upon request. Please consult igus® for delivery time.



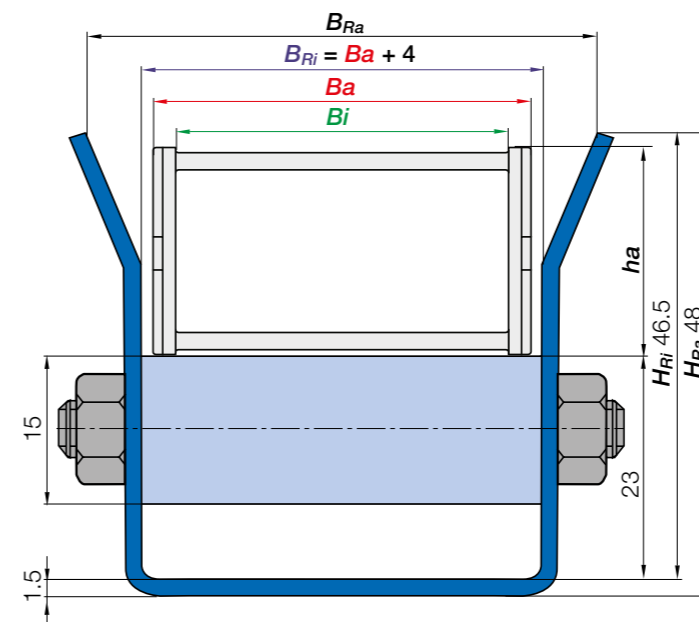
Fixed end module - length 2,000mm

Available from stock. Ready to ship in 24 - 48 hrs.*

*The delivery times indicated correspond to the average time until the ordered goods are dispatched.

Steel guide trough | One-piece, U-shaped

Special solution for series 10, B15 and 15



Components

- = Guide trough
- = Glide bar
- = fastening screws

- Ba = e-chain® outer width
- Bi = e-chain® inner width
- ha = e-chain® outer height
- H_{Ri} = Trough inner height
- H_{Ra} = Trough outer height
- B_{Ri} = Trough inner width
- B_{Ra} = Trough outer width

For the following igus® series

E2 mini

- 10
- B15

zipper

- 15



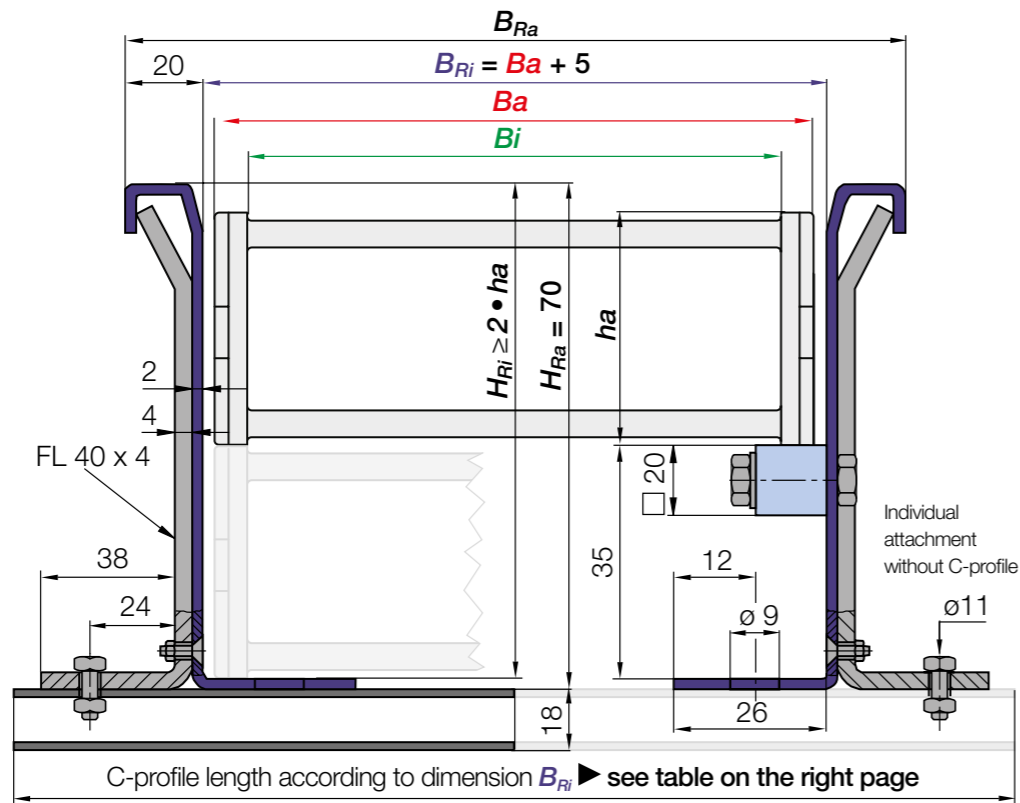
For series 10, 15 and B15 one-piece, U-shaped steel guide troughs are available. They have a continuous glide bar for the gliding section of the trough. The guide troughs for the e-chains® with an outer width up to 100mm are available from stock. For wider e-chains® special solutions are possible. For this trough sizes no installation sets are necessary as the guide troughs are made of a single U-profile. The solution for the trough joint is specific to each application. (material: galvanised steel)

Series	For e-chain® series	B_{Ra}	B_{Ri}	Weight
Part No.		[mm]	[mm]	[kg/m]
91.10 Trough without glide bar, 2m section	10.015/15.015/B15.015	40.5	30	≈ 1.50
91.11 Trough with glide bar, 2m section	10.015/15.015/B15.015	40.5	30	≈ 2.10
91.20 Trough without glide bar, 2m section	10.025/15.025/B15.025	50.5	40	≈ 1.65
91.21 Trough with glide bar, 2m section	10.025/15.025/B15.025	50.5	40	≈ 2.35
91.30 Trough without glide bar, 2m section	10.038/15.038/B15.038	62.5	52	≈ 1.80
91.31 Trough with glide bar, 2m section	10.038/15.038/B15.038	62.5	52	≈ 2.70
91.40 Trough without glide bar, 2m section	10.050/15.050/B15.050	72.5	62	≈ 1.90
91.41 Trough with glide bar, 2m section	10.050/15.050/B15.050	72.5	62	≈ 3.15
91.50 Trough without glide bar, 2m section	10.5/15.5/B15.5	89.5	79	≈ 2.15
91.51 Trough with glide bar, 2m section	10.5/15.5/B15.5	89.5	79	≈ 4.30
91.60 Trough without glide bar, 2m section	10.6/15.6/B15.6	106.5	96	≈ 2.40
91.61 Trough with glide bar, 2m section	10.6/15.6/B15.6	106.5	96	≈ 4.60
91.70 Trough without glide bar, 2m section	10.7/15.7/B15.7	126.5	116	≈ 2.80
91.71 Trough with glide bar, 2m section	10.7/15.7/B15.7	126.5	116	≈ 5.20

For the following igus® series

- E2.1**
- E2.26
- E2/000**
- 2500
- 255
- E6.1**
- EF61.29/E61.29
- E6**
- E6.29/R6.29

Note: The inner width of the guide trough and the C-profile length of the installation set can differ according to the mounting bracket you choose. Please call us.



C-profile length according to dimension B_{Ri} ▶ see table on the right page

Steel guide trough | Full set

Trough side parts sets	Part No.	Weight
1 set of 2 trough side parts, without glide bars, 2m section	92.30.E ¹⁾ / E44 ²⁾ / E45 ³⁾	≈ 7.60kg
1 set of 2 trough side parts, with glide bars, bolted, 2m section	92.31.E ¹⁾ / E44 ²⁾ / E45 ³⁾	≈ 9.60kg
Installation sets	Part No.	Weight
1 installation set without C-profile	92.50	≈ 0.34kg
1 installation set with C-profile (C-profile length according to dimension B_{Ri})	92.50.XXX*	upon request

*Please add the C-profile length **XXX** as shown on the tables on the right page. Example: 92.50.200

Steel guide trough | Components as individual parts

Individual parts, trough	Part No.	Weight
1 trough side part, individual, 2m section	92.11.E ¹⁾ / E44 ²⁾ / E45 ³⁾	≈ 3.80kg
1 glide bar, plastic, individual, 2m section	92.01	≈ 0.75kg
1 glide bar, individual, 2m section + 11 screw sets	92.20	≈ 0.98kg
1 package with 11 screw sets (for glide bar, 2m section)	92.21	≈ 0.23kg
Individual parts, installation set	Part No.	Weight
1 clamping bracket, individual	92.51	≈ 0.12kg
1 countersunk-head screw, individual	92.53 / M6 x 14	
1 hexagon nut, individual	92.54 / M6	
1 hexagon-head screw, individual	92.55 / M10 x 16	
1 glide nut, individual	92.56 / M10	
1 C-profile, individual (C-profile length according to dimension B_{Ri})	92.52.XXX*.E ¹⁾	≈ 0.90kg/m
Additional option for simple fixing of the e-chain® without drilling	Part No.	Weight
1 set fixed end module (more information ▶ Page 1240)	92.80.01*	≈ 7.60kg


*Please add the C-profile length **XXX** as shown on the tables on the right page. Example: 92.52.200.E

1) Trough side parts + C-profile - also available in 304 stainless steel, material 1.4301 (AISI 304). Please add index **E** to the Part No.
 2) Trough side parts - also available in 316 stainless steel, material 1.4404 (AISI 316L). Please add index **E44** to the Part No.
 3) Trough side parts - also available in 316 stainless steel, material 1.4571 (AISI 316Ti). Please add index **E45** to the Part No.

E2.26			2500			255			EF61.29/E61.29			E6.29/R6.29		
Width index	B_{Ri} [mm]	Part No. Installation set	Width index	B_{Ri} [mm]	Part No. Installation set	Width index	B_{Ri} [mm]	Part No. Installation set	Width index	B_{Ri} [mm]	Part No. Installation set	Width index	B_{Ri} [mm]	Part No. Installation set
.025	46	upon request	.02	46	upon request	.03	59	upon request	.030	49	upon request	.030	51	upon request
.038	59	upon request	.03	59	upon request	.05	78	92.50.200	.040	59	upon request	.040	61	upon request
.057	78	92.50.200	.05	78	92.50.200	.07	98	92.50.225	.050	69	92.50.200	.050	71	92.50.200
.077	98	92.50.225	.07	98	92.50.225	.10	124	92.50.250	.060	79	92.50.200	.060	81	92.50.200
.089	110	92.50.225	.09	110	92.50.225				.070	89	92.50.200	.070	91	92.50.200
.103	124	92.50.250	.10	124	92.50.250				.080	99	92.50.225	.080	101	92.50.225
.125	146	92.50.275	.12	146	92.50.275				.090	109	92.50.225	.090	111	92.50.225
									.100	119	92.50.250	.100	121	92.50.250
									.110	129	92.50.250	.110	131	92.50.250
									.120	139	92.50.250	.120	141	92.50.250
									.140	159	92.50.275			



igus® steel guide trough in use

 For the following igus® series

E2.1

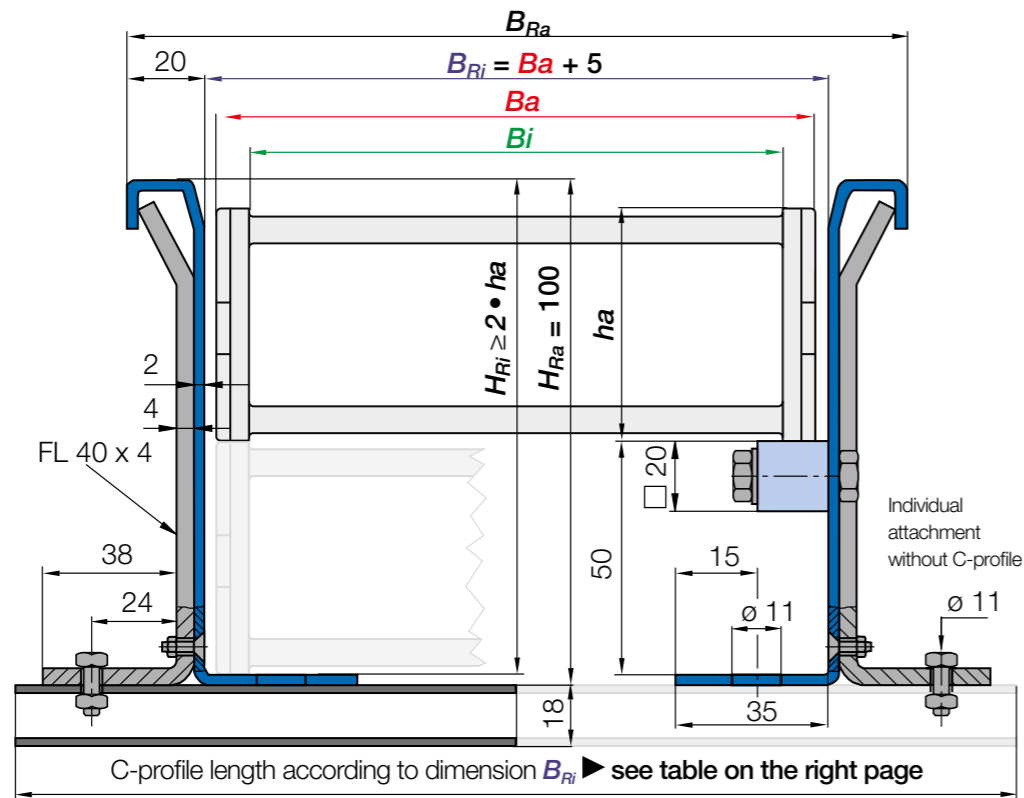
● E2.38

● E2/000

● 2700

● E2R

● R58



Note: The inner width of the guide trough and the C-profile length of the installation set can differ according to the mounting bracket you choose. Please call us.

Steel guide trough | Full set

Trough side parts sets	Part No.	Weight
1 set of 2 trough side parts, without glide bars, 2m section	95.30.E ¹⁾ / E44 ²⁾ / E45 ³⁾	≈ 10.00kg
1 set of 2 trough side parts, with glide bars, bolted, 2m section	95.31.E ¹⁾ / E44 ²⁾ / E45 ³⁾	≈ 12.00kg
Installation sets	Part No.	Weight
1 installation set without C-profile	95.50	≈ 0.41kg
1 installation set with C-profile (C-profile length according to dimension B_{Ri})	95.50.XXX*	upon request

*Please add the C-profile length **XXX** as shown on the tables on the right page. Example: 95.50.200

Steel guide trough | Components as individual parts

Individual parts, trough	Part No.	Weight
1 trough side part, individual, 2m section	95.11.E ¹⁾ / E44 ²⁾ / E45 ³⁾	≈ 5.00kg
1 glide bar, plastic, individual, 2m section	92.01	≈ 0.75kg
1 glide bar, individual, 2m section + 11 screw sets	92.20	≈ 0.98kg
1 package with 11 screw sets (for glide bar, 2m section)	92.21	≈ 0.23kg
Individual parts, installation set	Part No.	Weight
1 clamping bracket, individual	95.51	≈ 0.16kg
1 countersunk-head screw, individual	92.53 / M6 x 14	
1 hexagon nut, individual	92.54 / M6	
1 hexagon-head screw, individual	92.55 / M10 x 16	
1 glide nut, individual	92.56 / M10	
1 C-profile, individual (C-profile length according to dimension B_{Ri})	92.52.XXX*.E ¹⁾	≈ 0.90kg/m
Additional option for simple fixing of the e-chain® without drilling	Part No.	Weight
1 set fixed end module (more information ► Page 1240)	95.80.01	≈ 10.00kg

*Please add the C-profile length **XXX** as shown on the tables on the right page. Example: 95.52.200.E

1) Trough side parts + C-profile - also available in 304 stainless steel, material 1.4301 (AISI 304). Please add index **E** to the Part No.

2) Trough side parts - also available in 316 stainless steel, material 1.4404 (AISI 316L). Please add index **E44** to the Part No.

3) Trough side parts - also available in 316 stainless steel, material 1.4571 (AISI 316Ti). Please add index **E45** to the Part No.

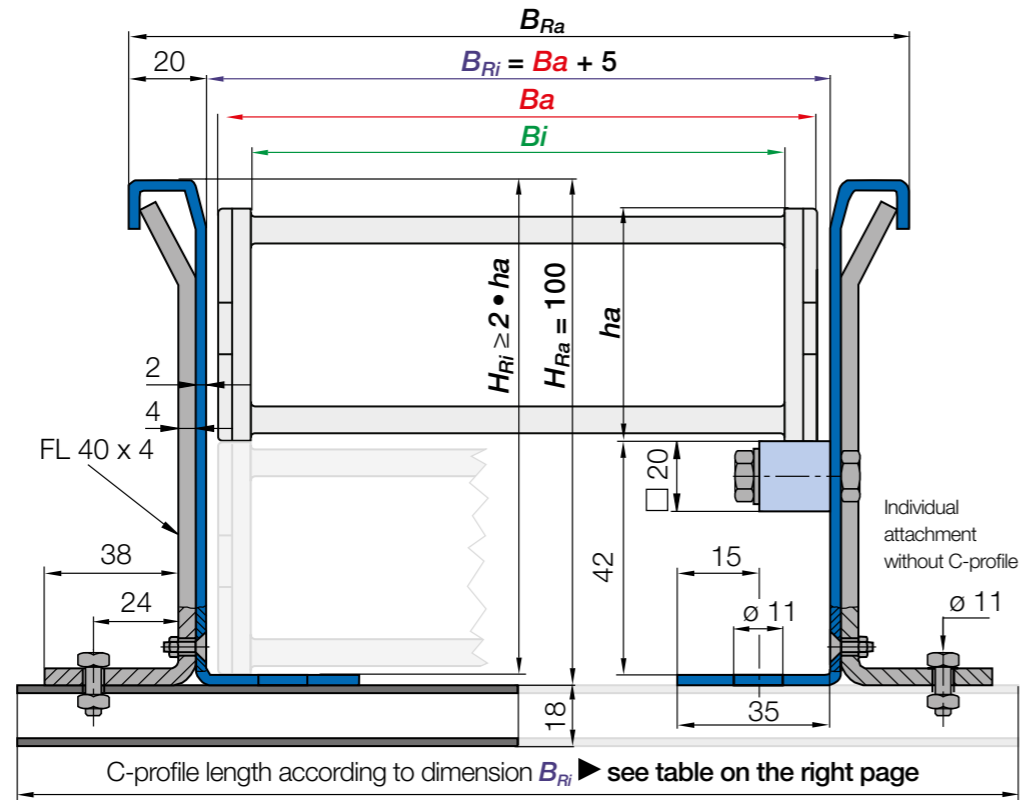
E2.38			2700			R58		
Width index	B_{Ri} [mm]	Part No. Installation set	Width index	B_{Ri} [mm]	Part No. Installation set	Width index	B_{Ri} [mm]	Part No. Installation set
.50	71	95.50.200	.05	71	95.50.200	.050	71	95.50.200
.65	86	95.50.200	.06	86	95.50.200	.075	96	95.50.225
.75	96	95.50.225	.07	96	95.50.225	.100	121	95.50.250
.90	111	95.50.225	.09	111	95.50.225	.125	146	95.50.275
.100	121	95.50.250	.10	121	95.50.250	.150	171	95.50.300
.125	146	95.50.275	.12	146	95.50.275	.175	196	95.50.325
.150	171	95.50.300	.15	171	95.50.300	.200	221	95.50.350
.175	199	95.50.325	.17	199	95.50.325			



igus® steel guide trough used in a storage and retrieval system using series E2/000 and chainflex® cables

For the following igus® series

- E4.1L**
- E4.31L/R4.31L
- E4.1**
- E4.28/R4.28
- E6.1**
- E61.35
- E6**
- E6.35



Note: The inner width of the guide trough and the C-profile length of the installation set can differ according to the mounting bracket you choose. Please call us.

Steel guide trough | Full set

Trough side parts sets	Part No.	Weight
1 set of 2 trough side parts, without glide bars, 2m section	99.30.E ¹⁾ / E44 ²⁾ / E45 ³⁾	≈ 10.00kg
1 set of 2 trough side parts, with glide bars, bolted, 2m section	99.31.E ¹⁾ / E44 ²⁾ / E45 ³⁾	≈ 12.00kg
Installation sets	Part No.	Weight
1 installation set without C-profile	95.50	≈ 0.41kg
1 installation set with C-profile (C-profile length according to dimension B_{Ri})	95.50.XXX*	upon request

*Please add the C-profile length **XXX** as shown on the tables on the right page. Example: 95.50.200

Steel guide trough | Components as individual parts

Individual parts, trough	Part No.	Weight
1 trough side part, individual, 2m section	99.11.E ¹⁾ / E44 ²⁾ / E45 ³⁾	≈ 5.00kg
1 glide bar, plastic, individual, 2m section	92.01	≈ 0.75kg
1 glide bar, individual, 2m section + 11 screw sets	92.20	≈ 0.98kg
1 package with 11 screw sets (for glide bar, 2m section)	92.21	≈ 0.23kg
Individual parts, installation set	Part No.	Weight
1 clamping bracket, individual	95.51	≈ 0.16kg
1 countersunk-head screw, individual	92.53 / M6 x 14	
1 hexagon nut, individual	92.54 / M6	
1 hexagon-head screw, individual	92.55 / M10 x 16	
1 glide nut, individual	92.56 / M10	
1 C-profile, individual (C-profile length according to dimension B_{Ri})	92.52.XXX*.E ¹⁾	≈ 0.90kg/m
Additional option for simple fixing of the e-chain® without drilling	Part No.	Weight
1 set fixed end module (more information ► Page 1240)	99.80.01	≈ 10.00kg

*Please add the C-profile length **XXX** as shown on the tables on the right page. Example: 92.52.200

- 1) Trough side parts + C-profile - also available in 304 stainless steel, material 1.4301 (AISI 304). Please add index **E** to the Part No.
- 2) Trough side parts - also available in 316 stainless steel, material 1.4404 (AISI 316L). Please add index **E44** to the Part No.
- 3) Trough side parts - also available in 316 stainless steel, material 1.4571 (AISI 316Ti). Please add index **E45** to the Part No.

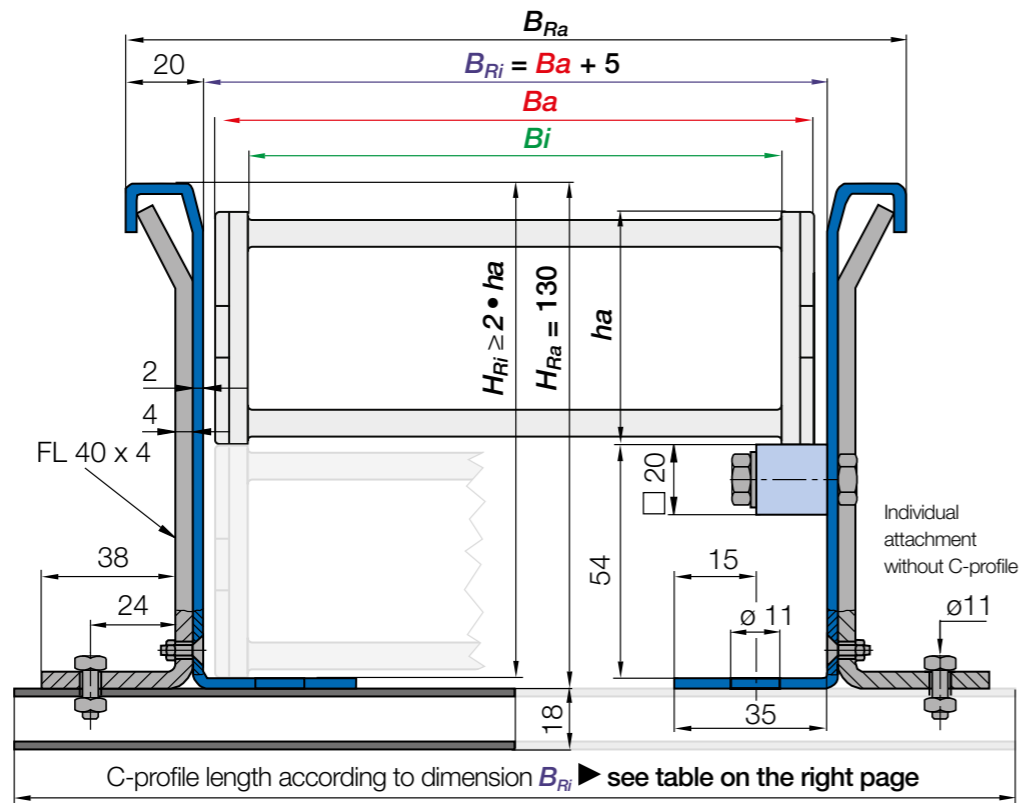
E4.31L/R4.31L			E4.28/R4.28			E61.35			E6.35		
Width index	B_{Ri} [mm]	Part No. Installation set	Width index	B_{Ri} [mm]	Part No. Installation set	Width index	B_{Ri} [mm]	Part No. Installation set	Width index	B_{Ri} [mm]	Part No. Installation set
.040	59	upon request	.040	65	upon request	.030	51	upon request	.030	55	upon request
.050	69	upon request	.050	75	95.50.200	.040	61	upon request	.040	65	upon request
.062	81	95.50.200	.062	87	95.50.200	.050	71	95.50.175	.050	75	95.50.200
.075	94	95.50.200	.075	95	95.50.200	.060	81	95.50.200	.060	85	95.50.200
.087	106	95.50.225	.087	100	95.50.225	.070	91	95.50.200	.070	95	95.50.200
.100	119	95.50.225	.100	112	95.50.225	.080	101	95.50.225	.080	105	95.50.225
.112	131	95.50.250	.112	125	95.50.250	.090	111	95.50.225	.090	115	95.50.225
.125	144	95.50.250	.125	150	95.50.275	.100	121	95.50.225	.100	125	95.50.250
.137	156	95.50.275	.150	175	95.50.300	.110	131	95.50.250	.110	135	95.50.250
.150	169	95.50.275	.175	200	95.50.325	.120	141	95.50.250	.120	145	95.50.250
.162	181	95.50.300	.200	225	95.50.350	.140	161	95.50.275			
.175	194	95.50.300	.225	250	95.50.375						
.187	206	95.50.325	.250	275	95.50.400						
.200	219	95.50.325	.275	300	95.50.425						
			.300	325	95.50.450						



Light weight and high strength: this igus® polymer e-chain® carries rigid hydraulic hoses

For the following igus® series

- E4.1L**
- E4.38L/R4.38L
- E4.1**
- E4.32/H4.32/R4.32
- E6.1**
- E61.40
- E6**
- E6.40/R6.40



Note: The inner width of the guide trough and the C-profile length of the installation set can differ according to the mounting bracket you choose. Please call us.

Steel guide trough | Full set

Trough side parts sets	Part No.	Weight
1 set of 2 trough side parts, without glide bars, 2m section	97.30.E ¹⁾ / E44 ²⁾ / E45 ³⁾	≈ 11.80kg
1 set of 2 trough side parts, with glide bars, bolted, 2m section	97.31.E ¹⁾ / E44 ²⁾ / E45 ³⁾	≈ 13.60kg
Installation sets	Part No.	Weight
1 installation set without C-profile	93.50	≈ 0.49kg
1 installation set with C-profile (C-profile length according to dimension B_{Ri})	93.50.XXX*	upon request

*Please add the C-profile length **XXX** as shown on the tables on the right page. Example: 93.50.350

Steel guide trough | Components as individual parts

Individual parts, trough	Part No.	Weight
1 trough side part, individual, 2m section	97.11.E ¹⁾ / E44 ²⁾ / E45 ³⁾	≈ 5.90kg
1 glide bar, plastic, individual, 2m section	92.01	≈ 0.75kg
1 glide bar, individual, 2m section + 11 screw sets	92.20	≈ 0.98kg
1 package with 11 screw sets (for glide bar, 2m section)	92.21	≈ 0.23kg
Individual parts, installation set	Part No.	Weight
1 clamping bracket, individual	93.51	≈ 0.20kg
1 countersunk-head screw, individual	92.53 / M6 x 14	
1 hexagon nut, individual	92.54 / M6	
1 hexagon-head screw, individual	92.55 / M10 x 16	
1 glide nut, individual	92.56 / M10	
1 C-profile, individual (C-profile length according to dimension B_{Ri})	92.52.XXX*.E ¹⁾	≈ 0.90kg/m
Additional option for simple fixing of the e-chain® without drilling	Part No.	Weight
1 set fixed end module (more information ▶ Page 1240)	97.80.01	≈ 11.80kg

*Please add the C-profile length **XXX** as shown on the tables on the right page. Example: 92.52.350

1) Trough side parts + C-profile - also available in 304 stainless steel, material 1.4301 (AISI 304). Please add index **E** to the Part No.
 2) Trough side parts - also available in 316 stainless steel, material 1.4404 (AISI 316L). Please add index **E44** to the Part No.
 3) Trough side parts - also available in 316 stainless steel, material 1.4571 (AISI 316Ti). Please add index **E45** to the Part No.

E4.38L/R4.38L			E4.32/H4.32/R4.32			E61.40			E6.40/R6.40		
Width index	B_{Ri} [mm]	Part No. Installation set	Width index	B_{Ri} [mm]	Part No. Installation set	Width index	B_{Ri} [mm]	Part No. Installation set	Width index	B_{Ri} [mm]	Part No. Installation set
050.	71	93.50.200	.05	78	93.50.200	.040	61	upon request	.040	65	upon request
062.	83	93.50.200	.06	96	93.50.225	.050	71	93.50.200	.050	75	93.50.200
075.	96	93.50.225	.07	103	93.50.225	.062	83	93.50.200	.062	87	93.50.200
087.	108	93.50.225	.087	115	93.50.225	.070	91	93.50.200	.070	95	93.50.225
100.	121	93.50.250	.10	128	93.50.250	.075	96	93.50.225	.075	100	93.50.225
105.	126	93.50.250	.11	136	93.50.250	.087	108	93.50.225	.087	112	93.50.225
112.	133	93.50.250	.112	141	93.50.250	.100	121	93.50.250	.100	125	93.50.250
125.	146	93.50.275	.12	153	93.50.275	.125	146	93.50.275	.125	150	93.50.275
137.	158	93.50.275	.137	166	93.50.275	.150	171	93.50.300	.150	175	93.50.300
150.	171	93.50.300	.15	178	93.50.300	.175	196	93.50.325	.175	200	93.50.325
162.	183	93.50.300	.162	191	93.50.300	.200	221	93.50.350	.200	225	93.50.350
175.	196	93.50.325	.17	196	93.50.325	.225	246	93.50.375	.225	250	93.50.375
187.	208	93.50.325	.18	203	93.50.325	.250	271	93.50.400	.250	275	93.50.400
200.	221	93.50.350	.187	216	93.50.325	.275	296	93.50.425	.275	300	93.50.425
212.	233	93.50.350	.20	228	93.50.350	.300	321	93.50.450	.300	325	93.50.450
225.	246	93.50.375	.212	241	93.50.350						
237.	258	93.50.375	.23	253	93.50.375						
250.	271	93.50.400	.237	266	93.50.375						
262.	283	93.50.400	.25	278	93.50.400						
275.	296	93.50.425	.262	291	93.50.400						
287.	308	93.50.425	.28	303	93.50.425						
300.	321	93.50.450	.29	316	93.50.425						
312.	333	93.50.450	.30	328	93.50.450						
325.	346	93.50.475	.312	341	93.50.450						
337.	358	93.50.475	.325	353	93.50.475						
350.	371	93.50.500	.337	366	93.50.475						
362.	383	93.50.500	.350	378	93.50.500						
375.	396	93.50.525	.362	391	93.50.500						
387.	408	93.50.525	.375	403	93.50.525						
400.	421	93.50.550	.387	416	93.50.525						
			.400	428	93.50.550						

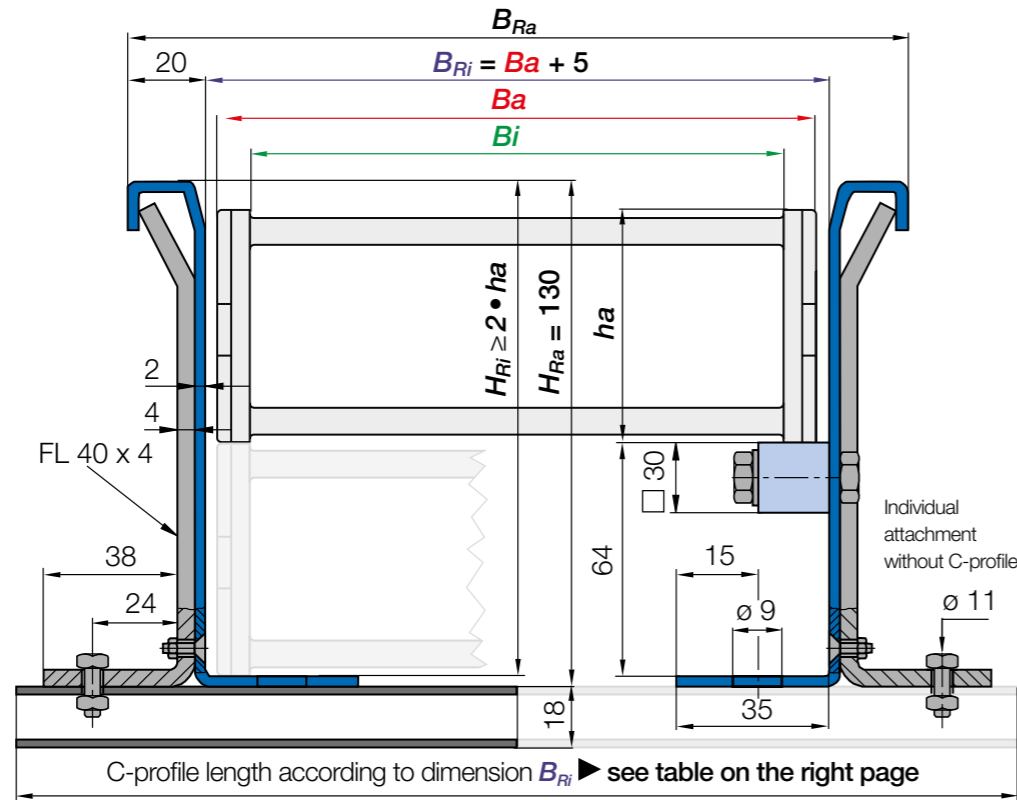


igus® system E4 with extension link on a ship loader for coal handling. Travel 105m, speed 240m/min, fill weight 53kg/m

For the following igus® series

- E2.1**
- E2.48
- E2/000**
- 3500
- E2 R**
- R68
- E4.1L**
- E4.48L/R4.48L
- E4.1**
- E4.42/H4.42/R4.42
- E6.1**
- E61.62
- E6**
- E6.52/R6.52

Note: The inner width of the guide trough and the C-profile length of the installation set can differ according to the mounting bracket you choose. Please call us.



C-profile length according to dimension B_{Ri} ▶ see table on the right page

Steel guide trough | Full set

Trough side parts sets	Part No.	Weight
1 set of 2 trough side parts, without glide bars, 2m section	93.30.E ¹⁾ / E44 ²⁾ / E45 ³⁾	≈ 11.80kg
1 set of 2 trough side parts, with glide bars, bolted, 2m section	93.31.E ¹⁾ / E44 ²⁾ / E45 ³⁾	≈ 16.20kg
Installation sets	Part No.	Weight
1 installation set without C-profile	93.50	≈ 0.49kg
1 installation set with C-profile (C-profile length according to dimension B_{Ri})	93.50.XXX*	upon request

*Please add the C-profile length **XXX** as shown on the tables on the right page. Example: 93.50.350

Steel guide trough | Components as individual parts

Individual parts, trough	Part No.	Weight
1 trough side part, individual, 2m section	93.11.E ¹⁾ / E44 ²⁾ / E45 ³⁾	≈ 5.90kg
1 glide bar, plastic, individual, 2m section	93.01	≈ 1.68kg
1 glide bar, individual, 2m section + 11 screw sets	93.20	≈ 2.22kg
1 package with 11 screw sets (for glide bar, 2m section)	93.21	≈ 0.54kg
Individual parts, installation set	Part No.	Weight
1 clamping bracket, individual	93.51	≈ 0.20kg
1 countersunk-head screw, individual	92.53 / M6 x 14	
1 hexagon nut, individual	92.54 / M6	
1 hexagon-head screw, individual	92.55 / M10 x 16	
1 glide nut, individual	92.56 / M10	
1 C-profile, individual (C-profile length according to dimension B_{Ri})	92.52.XXX*.E ¹⁾	≈ 0.90kg/m
Additional option for simple fixing of the e-chain® without drilling	Part No.	Weight
1 set fixed end module (more information ▶ Page 1240)	93.80.01	≈ 11.80kg

*Please add the C-profile length **XXX** as shown on the tables on the right page. Example: 92.52.350

1) Trough side parts + C-profile - also available in 304 stainless steel, material 1.4301 (AISI 304). Please add index **E** to the Part No.
 2) Trough side parts - also available in 316 stainless steel, material 1.4404 (AISI 316L). Please add index **E44** to the Part No.
 3) Trough side parts - also available in 316 stainless steel, material 1.4571 (AISI 316Ti). Please add index **E45** to the Part No.

E2.48			3500			E4.48L/R4.48L			E4.42/H4.42/R4.42			E61.62/E6.52/R6.52		
Width index	B_{Ri} [mm]	Part No. Installation set	Width index	B_{Ri} [mm]	Part No. Installation set	Width index	B_{Ri} [mm]	Part No. Installation set	Width index	B_{Ri} [mm]	Part No. Installation set	Width index	B_{Ri} [mm]	Part No. Installation set
.050	75	93.50.200	.050	75	93.50.200	.050	75	93.50.200	.05	81	93.50.200	.040	69	upon request
.075	100	93.50.225	.075	100	93.50.225	.062	87	93.50.200	.06	99	93.50.225	.050	79	93.50.200
.100	125	93.50.250	.100	125	93.50.250	.075	100	93.50.225	.07	106	93.50.225	.062	91	93.50.200
.115	140	93.50.250	.115	140	93.50.250	.087	112	93.50.225	.087	119	93.50.250	.070	99	93.50.225
.125	150	93.50.275	.125	150	93.50.275	.100	125	93.50.250	.10	131	93.50.250	.075	104	93.50.225
.150	175	93.50.300	.150	175	93.50.300	.105	130	93.50.250	.11	139	93.50.250	.087	116	93.50.225
.175	200	93.50.325	.175	200	93.50.325	.112	137	93.50.250	.112	144	93.50.275	.100	129	93.50.250
.200	225	93.50.350	.200	225	93.50.350	.125	150	93.50.275	.12	156	93.50.275	.125	154	93.50.275
.225	250	93.50.375	.225	250	93.50.375	.137	162	93.50.275	.137	169	93.50.300	.150	179	93.50.300
.250	275	93.50.400	.250	275	93.50.400	.150	175	93.50.300	.15	181	93.50.300	.175	204	93.50.325
						.162	187	93.50.300	.162	194	93.50.325	.200	229	93.50.350
						.175	200	93.50.325	.17	199	93.50.325	.225	254	93.50.375
						.187	212	93.50.325	.18	206	93.50.325	.250	279	93.50.400
						.200	225	93.50.350	.187	219	93.50.350	.275	304	93.50.425
						.212	237	93.50.350	.20	231	93.50.350	.300	329	93.50.450
						.225	250	93.50.375	.212	244	93.50.375			
						.237	262	93.50.375	.23	256	93.50.375			
.050	73	93.50.200	.250	275	93.50.400	.237	269	93.50.400						
.075	98	93.50.225	.262	287	93.50.400	.25	281	93.50.400						
.100	123	93.50.250	.275	300	93.50.425	.262	294	93.50.425						
.115	138	93.50.250	.287	312	93.50.425	.28	306	93.50.425						
.125	148	93.50.275	.300	325	93.50.450	.29	319	93.50.450						
.150	173	93.50.300	.312	337	93.50.450	.30	331	93.50.450						
.175	198	93.50.325	.325	350	93.50.475	.312	344	93.50.475						
.200	223	93.50.350	.337	362	93.50.475	.325	356	93.50.475						
.225	248	93.50.375	.350	375	93.50.500	.337	369	93.50.500						
			.362	387	93.50.500	.350	381	93.50.500						
			.375	400	93.50.525	.362	394	93.50.525						
			.387	412	93.50.525	.375	407	93.50.525						
			.400	425	93.50.550	.387	419	93.50.550						
						.400	431	93.50.550						



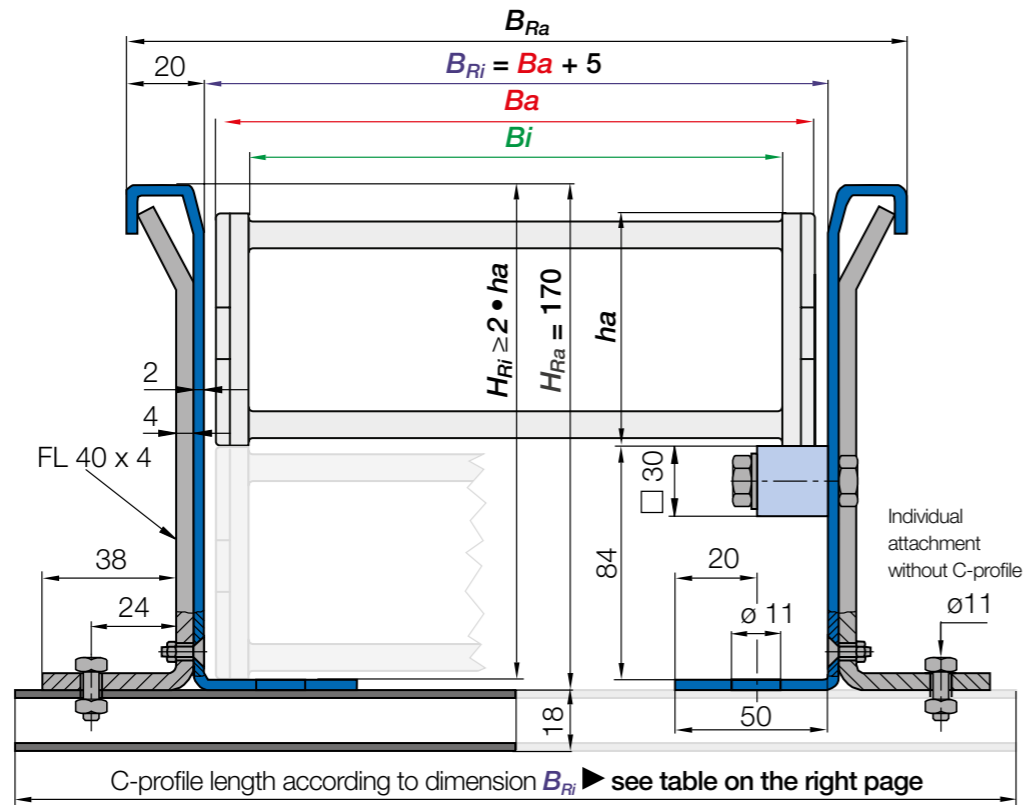
Travel up to 195m with the igus® system E4, safely guided in an igus® steel trough

For the following igus® series

- E4.1L**
- E4.64L
- E4.1**
- E4.56/H4.56/R4.56
- E4/light**
- 14040/14140/R18840
- 14240/14340
- E6.1**
- E61.62
- E6**
- E6.62

Option: with reinforced mounting angles for extremely demanding heavy-duty applications

Note: The inner width of the guide trough and the C-profile length of the installation set can differ according to the mounting bracket you choose. Please call us.



Steel guide trough | Full set

Trough side parts sets	Part No.	Weight
1 set of 2 trough side parts, without glide bars, 2m section	94.30.E ¹⁾ / E44 ²⁾ / E45 ³⁾	≈ 14.70kg
1 set of 2 trough side parts, with glide bars, bolted, 2m section	94.31.E ¹⁾ / E44 ²⁾ / E45 ³⁾	≈ 19.00kg
Installation sets	Part No.	Weight
1 installation set without C-profile	94.50	≈ 0.58kg
1 installation set with C-profile (C-profile length according to dimension B_{Ri})	94.50.XXX*	upon request

*Please add the C-profile length **XXX** as shown on the tables on the right page. Example: 94.50.350

Steel guide trough | Components as individual parts

Individual parts, trough	Part No.	Weight
1 trough side part, individual, 2m section	94.11.E ¹⁾ / E44 ²⁾ / E45 ³⁾	≈ 7.35kg
1 glide bar, plastic, individual, 2m section	93.01	≈ 1.68kg
1 glide bar, individual, 2m section + 11 screw sets	93.20	≈ 2.22kg
1 package with 11 screw sets (for glide bar, 2m section)	93.21	≈ 0.54kg
Individual parts, installation set	Part No.	Weight
1 clamping bracket, individual	94.51	≈ 0.25kg
1 countersunk-head screw, individual	92.53 / M6 x 14	
1 hexagon nut, individual	92.54 / M6	
1 hexagon-head screw, individual	92.55 / M10 x 16	
1 glide nut, individual	92.56 / M10	
1 C-profile, individual (C-profile length according to dimension B_{Ri})	92.52.XXX*.E ¹⁾	≈ 0.90kg/m
Additional option for simple fixing of the e-chain® without drilling	Part No.	Weight
1 set fixed end module (more information ► Page 1240)	94.80.01	≈ 14.70kg

*Please add the C-profile length **XXX** as shown on the tables on the right page. Example: 92.52.350.E


1) Trough side parts + C-profile - also available in 304 stainless steel, material 1.4301 (AISI 304). Please add index **E** to the Part No.
 2) Trough side parts - also available in 316 stainless steel, material 1.4404 (AISI 316L). Please add index **E44** to the Part No.
 3) Trough side parts - also available in 316 stainless steel, material 1.4571 (AISI 316Ti). Please add index **E45** to the Part No.

E4.56			14040/14140/R18840			14240/14340			E61.62			E6.62		
Width index	B_{Ri} [mm]	Part No. Installation set	Width index	B_{Ri} [mm]	Part No. Installation set	Width index	B_{Ri} [mm]	Part No. Installation set	Width index	B_{Ri} [mm]	Part No. Installation set	Width index	B_{Ri} [mm]	Part No. Installation set
.05	89	upon request	.05	81	upon request	.05	81	upon request	.05	87	upon request	.05	91	upon request
.06	104	94.50.225	.06	96	upon request	.06	99	upon request	.06	105	94.50.225	.06	109	94.50.225
.07	114	94.50.225	.07	106	94.50.225	.07	106	94.50.225	.07	112	94.50.225	.07	116	94.50.225
.08	121	94.50.225	.10	131	94.50.250	.087	119	94.50.250	.087	124	94.50.250	.087	128	94.50.250
.10	139	94.50.250	.11	144	94.50.275	.10	131	94.50.250	.10	137	94.50.250	.10	141	94.50.250
.11	152	94.50.275	.12	156	94.50.275	.11	139	94.50.250	.11	145	94.50.275	.11	149	94.50.275
.12	164	94.50.275	.13	169	94.50.300	.112	144	94.50.275	.112	149	94.50.275	.112	153	94.50.275
.13	177	94.50.300	.15	181	94.50.300	.12	156	94.50.275	.12	162	94.50.275	.12	166	94.50.275
.15	189	94.50.300	.16	194	94.50.325	.137	169	94.50.300	.137	174	94.50.300	.137	178	94.50.300
.16	202	94.50.325	.17	206	94.50.325	.15	181	94.50.300	.15	187	94.50.300	.15	191	94.50.300
.17	214	94.50.325	.18	219	94.50.350	.162	194	94.50.325	.162	199	94.50.325	.162	203	94.50.325
.18	227	94.50.350	.20	231	94.50.350	.17	199	94.50.325	.17	205	94.50.325	.17	209	94.50.325
.20	239	94.50.350	.21	244	94.50.375	.18	206	94.50.325	.18	212	94.50.325	.18	216	94.50.325
.21	252	94.50.375	.22	256	94.50.375	.187	219	94.50.350	.187	224	94.50.350	.187	228	94.50.350
.22	264	94.50.375	.23	269	94.50.400	.20	231	94.50.350	.20	237	94.50.350	.20	241	94.50.350
.23	277	94.50.400	.25	281	94.50.400	.212	244	94.50.375	.212	249	94.50.375	.212	253	94.50.375
.25	289	94.50.400	.26	294	94.50.425	.23	256	94.50.375	.23	262	94.50.375	.23	266	94.50.375
.26	302	94.50.425	.27	306	94.50.425	.237	269	94.50.400	.237	274	94.50.400	.237	278	94.50.400
.27	314	94.50.425	.28	319	94.50.450	.25	281	94.50.400	.25	287	94.50.400	.25	291	94.50.400
.28	327	94.50.450	.30	331	94.50.450	.262	294	94.50.425	.262	299	94.50.425	.262	303	94.50.425
.30	339	94.50.450	.31	344	94.50.475	.28	306	94.50.425	.28	312	94.50.425	.28	316	94.50.425
.31	352	94.50.475	.32	356	94.50.475	.29	319	94.50.450	.29	324	94.50.450	.29	328	94.50.450
.32	364	94.50.475	.33	369	94.50.500	.30	331	94.50.450	.30	337	94.50.450	.30	341	94.50.450
.33	377	94.50.500	.35	381	94.50.500	.312	344	94.50.475	.312	349	94.50.475	.312	353	94.50.475
.35	389	94.50.500	.36	394	94.50.525	.325	356	94.50.475	.325	362	94.50.475	.325	366	94.50.475
.36	402	94.50.525	.37	406	94.50.525	.337	369	94.50.500	.337	374	94.50.500	.337	378	94.50.500
.37	414	94.50.525	.38	419	94.50.550	.350	381	94.50.500	.350	387	94.50.500	.350	391	94.50.500
.38	427	94.50.550	.40	431	94.50.550	.362	394	94.50.525	.362	399	94.50.525	.362	403	94.50.525
.40	439	94.50.550	.41	444	94.50.575	.375	406	94.50.525	.375	412	94.50.525	.375	416	94.50.525
.41	452	94.50.575	.42	456	94.50.575	.384	419	94.50.550	.384	424	94.50.550	.384	428	94.50.550
.42	464	94.50.575	.43	469	94.50.600	.400	431	94.50.550	.400	437	94.50.550	.400	441	94.50.550
.43	477	94.50.600	.45	481	94.50.600									
.45	489	94.50.600	.46	494	94.50.625									
.46	502	94.50.625	.47	506	94.50.625									
.47	514	94.50.625	.48	519	94.50.650									
.48	527	94.50.650	.50	531	94.50.650									
.50	539	94.50.650	.51	544	94.50.675									
.51	552	94.50.675	.52	556	94.50.675									
.52	564	94.50.675	.53	569	94.50.700									
.53	577	94.50.700	.55	581	94.50.700									
.55	589	94.50.700	.60	631	94.50.750									
.60	639	94.50.750												

E4.64L		
Width index	B_{Ri} [mm]	Part No. Installation set
.087	118	94.50.225
.100	131	94.50.250
.150	181	94.50.300
.200	231	94.50.350




Extremely dirty and tough environment in coal handling. igus® roller e-chains® guided in tough steel troughs

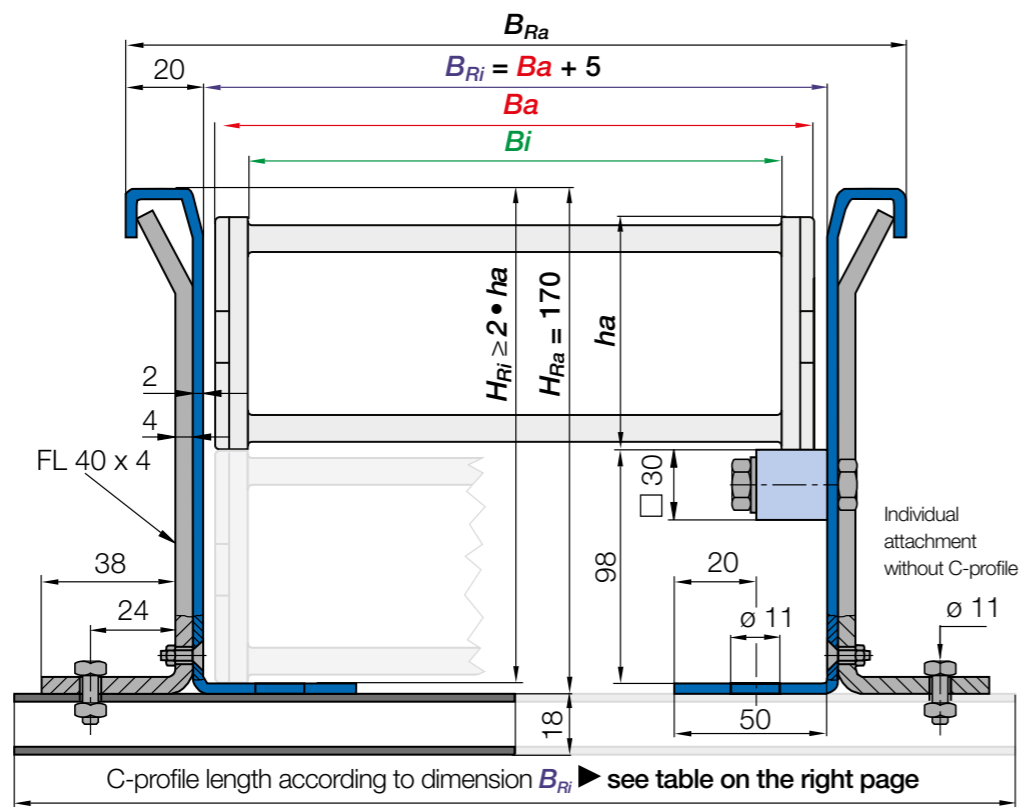
 For the following igus® series

E4/light

● 14550/14650/R19050

 **Option:** with reinforced mounting angles for extremely demanding heavy-duty applications

Note: The inner width of the guide trough and the C-profile length of the installation set can differ according to the mounting bracket you choose. Please call us.



Steel guide trough | Full set

Trough side parts sets	Part No.	Weight
1 set of 2 trough side parts, without glide bars, 2m section	94.14550.30.E ¹⁾ / E44 ²⁾ / E45 ³⁾	≈ 14.70kg
1 set of 2 trough side parts, with glide bars, bolted, 2m section	94.14550.31.E ¹⁾ / E44 ²⁾ / E45 ³⁾	≈ 19.00kg
Installation sets	Part No.	Weight
1 installation set without C-profile	94.50	≈ 0.58kg
1 installation set with C-profile (C-profile length according to dimension B_{Ri})	94.50.XXX*	upon request

*Please add the C-profile length **XXX** as shown on the tables on the right page. Example: 94.50.350

Steel guide trough | Components as individual parts

Individual parts, trough	Part No.	Weight
1 trough side part, individual, 2m section	94.11.E ¹⁾ / E44 ²⁾ / E45 ³⁾	≈ 7.35kg
1 glide bar, plastic, individual, 2m section	93.01	≈ 1.68kg
1 glide bar, individual, 2m section + 11 screw sets	93.20	≈ 2.22kg
1 package with 11 screw sets (for glide bar, 2m section)	93.21	≈ 0.54kg
Individual parts, installation set	Part No.	Weight
1 clamping bracket, individual	94.51	≈ 0.25kg
1 countersunk-head screw, individual	92.53 / M6 x 14	
1 hexagon nut, individual	92.54 / M6	
1 hexagon-head screw, individual	92.55 / M10 x 16	
1 glide nut, individual	92.56 / M10	
1 C-profile, individual (C-profile length according to dimension B_{Ri})	92.52.XXX*.E ¹⁾	≈ 0.90kg/m
Additional option for simple fixing of the e-chain® without drilling	Part No.	Weight
1 set fixed end module (more information ► Page 1240)	94.14550.80.01**	≈ 14.70kg

*Please add the C-profile length **XXX** as shown on the tables on the right page. Example: 92.52.350.E

1) Trough side parts + C-profile - also available in 304 stainless steel, material 1.4301 (AISI 304). Please add index **E** to the Part No.

2) Trough side parts - also available in 316 stainless steel, material 1.4404 (AISI 316L). Please add index **E44** to the Part No.

3) Trough side parts - also available in 316 stainless steel, material 1.4571 (AISI 316Ti). Please add index **E45** to the Part No.

**Fixed end module available upon request. Please consult igus® for delivery time.

1254 More information ► www.igus.eu/steelguide

14550/14650/R19050

Width index	B_{Ri} [mm]	Part No. Installation set
.05	82	upon request
.06	97	upon request
.07	107	94.50.225
.08	119	94.50.250
.10	132	94.50.250
.11	144	94.50.275
.12	157	94.50.275
.13	169	94.50.300
.15	182	94.50.300
.16	194	94.50.325
.17	207	94.50.325
.18	219	94.50.350
.20	232	94.50.350
.21	244	94.50.375
.22	257	94.50.375
.23	269	94.50.400
.25	282	94.50.400
.26	294	94.50.425
.27	307	94.50.425
.28	319	94.50.450
.30	332	94.50.450
.31	344	94.50.475
.32	357	94.50.475
.33	369	94.50.500
.35	382	94.50.500
.36	394	94.50.525
.37	407	94.50.525
.38	419	94.50.550
.40	432	94.50.550
.41	444	94.50.575
.42	457	94.50.575
.43	469	94.50.600
.45	482	94.50.600
.46	494	94.50.625
.47	507	94.50.625
.48	519	94.50.650
.50	532	94.50.650
.51	544	94.50.675
.52	557	94.50.675
.53	569	94.50.700
.55	582	94.50.700
.60	632	94.50.750



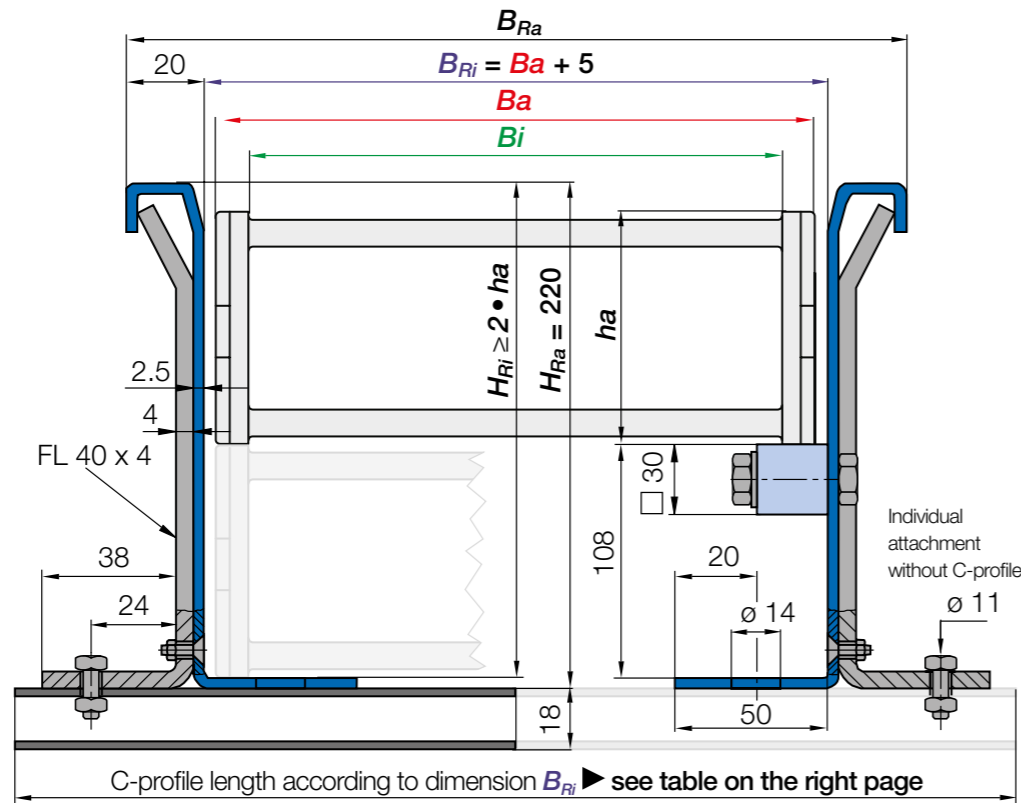
System E4 with extension links and high fill weight - long travel application on-board West Navigator drill ship

For the following igus® series

- E4.1**
- E4.80
- E4/light**
- 15050/15150/R19850
- 15250/15350
- E6.1**
- E61.80
- E6**
- E6.80

Option: with reinforced mounting angles for extremely demanding heavy-duty applications

Note: The inner width of the guide trough and the C-profile length of the installation set can differ according to the mounting bracket you choose. Please call us.



Steel guide trough | Full set

Trough side parts sets	Part No.	Weight
1 set of 2 trough side parts, without glide bars, 2m section	96.30.E ¹⁾ / E44 ²⁾ / E45 ³⁾	≈ 22.80kg
1 set of 2 trough side parts, with glide bars, bolted, 2m section	96.31.E ¹⁾ / E44 ²⁾ / E45 ³⁾	≈ 27.20kg
Installation sets	Part No.	Weight
1 installation set without C-profile	96.50	≈ 0.72kg
1 installation set with C-profile (C-profile length according to dimension B_{Ri})	96.50.XXX*	upon request

*Please add the C-profile length **XXX** as shown on the tables on the right page. Example: 96.50.375

Steel guide trough | Components as individual parts

Individual parts, trough	Part No.	Weight
1 trough side part, individual, 2m section	96.11.E ¹⁾ / E44 ²⁾ / E45 ³⁾	≈ 11.40kg
1 glide bar, plastic, individual, 2m section	93.01	≈ 1.68kg
1 glide bar, individual, 2m section + 11 screw sets	93.20	≈ 2.22kg
1 package with 11 screw sets (for glide bar, 2m section)	93.21	≈ 0.54kg
Individual parts, installation set	Part No.	Weight
1 clamping bracket, individual	96.51	≈ 0.31kg
1 countersunk-head screw, individual	92.53 / M6 x 14	
1 hexagon nut, individual	92.54 / M6	
1 hexagon-head screw, individual	92.55 / M10 x 16	
1 glide nut, individual	92.56 / M10	
1 C-profile, individual (C-profile length according to dimension B_{Ri})	92.52.XXX*.E ¹⁾	≈ 0.90kg/m
Additional option for simple fixing of the e-chain® without drilling	Part No.	Weight
1 set fixed end module (more information ► Page 1240)	96.80.01	≈ 22.80kg

*Please add the C-profile length **XXX** as shown on the tables on the right page. Example: 92.52.375.E

- 1) Trough side parts + C-profile - also available in 304 stainless steel, material 1.4301 (AISI 304). Please add index **E** to the Part No.
- 2) Trough side parts - also available in 316 stainless steel, material 1.4404 (AISI 316L). Please add index **E44** to the Part No.
- 3) Trough side parts - also available in 316 stainless steel, material 1.4571 (AISI 316Ti). Please add index **E45** to the Part No.

E4.80			15050/15150/R19850			15250/15350			E61.62			E6.62		
Width index	B_{Ri} [mm]	Part No. Installation set	Width index	B_{Ri} [mm]	Part No. Installation set	Width index	B_{Ri} [mm]	Part No. Installation set	Width index	B_{Ri} [mm]	Part No. Installation set	Width index	B_{Ri} [mm]	Part No. Installation set
.05	105	96.50.225	.05	85	upon request	.05	85	upon request	.05	99	96.50.n.m	.05	105	96.50.225
.06	120	96.50.250	.06	100	upon request	.06	103	96.50.225	.06	114	96.50.225	.06	120	96.50.250
.07	130	96.50.250	.07	110	96.50.225	.07	110	96.50.225	.07	124	96.50.250	.07	130	96.50.250
.10	155	96.50.275	.10	135	96.50.250	.087	122	96.50.250	.10	149	96.50.275	.10	155	96.50.275
.11	168	96.50.300	.11	148	96.50.275	.09	132	96.50.250	.11	161	96.50.275	.11	167	96.50.300
.12	180	96.50.300	.12	160	96.50.275	.10	135	96.50.250	.12	174	96.50.300	.12	180	96.50.300
.13	193	96.50.325	.13	173	96.50.300	.11	143	96.50.275	.13	186	96.50.300	.13	192	96.50.325
.15	205	96.50.325	.15	185	96.50.300	.112	148	96.50.275	.15	199	96.50.325	.15	205	96.50.325
.16	218	96.50.350	.16	198	96.50.325	.12	160	96.50.275	.16	211	96.50.325	.16	217	96.50.350
.17	230	96.50.350	.17	210	96.50.325	.137	172	96.50.300	.17	224	96.50.350	.17	230	96.50.350
.18	243	96.50.375	.18	223	96.50.350	.15	185	96.50.300	.18	236	96.50.350	.18	242	96.50.375
.20	255	96.50.375	.20	235	96.50.350	.162	198	96.50.325	.20	249	96.50.375	.20	255	96.50.375
.21	268	96.50.400	.21	248	96.50.375	.17	203	96.50.325	.21	261	96.50.375	.21	267	96.50.400
.22	280	96.50.400	.22	260	96.50.375	.18	210	96.50.325	.22	274	96.50.400	.22	280	96.50.400
.23	293	96.50.425	.23	273	96.50.400	.187	223	96.50.350	.23	286	96.50.400	.23	292	96.50.425
.25	305	96.50.425	.25	285	96.50.400	.20	235	96.50.350	.25	299	96.50.425	.25	305	96.50.425
.26	318	96.50.450	.26	298	96.50.425	.212	248	96.50.375	.26	311	96.50.425	.26	317	96.50.450
.27	330	96.50.450	.27	310	96.50.425	.23	260	96.50.375	.27	324	96.50.450	.27	330	96.50.450
.28	343	96.50.475	.28	323	96.50.450	.237	273	96.50.400	.28	336	96.50.450	.28	342	96.50.475
.30	355	96.50.475	.30	335	96.50.450	.25	285	96.50.400	.30	349	96.50.475	.30	355	96.50.475
.31	368	96.50.500	.31	348	96.50.475	.262	298	96.50.425	.31	361	96.50.475	.31	367	96.50.500
.32	380	96.50.500	.32	360	96.50.475	.28	310	96.50.425	.32	374	96.50.500	.32	380	96.50.500
.33	393	96.50.525	.33	373	96.50.500	.29	323	96.50.450	.33	386	96.50.500	.33	392	96.50.525
.35	405	96.50.525	.35	385	96.50.500	.30	335	96.50.450	.35	399	96.50.525	.35	405	96.50.525
.36	418	96.50.550	.36	398	96.50.525	.312	348	96.50.475	.36	411	96.50.525	.36	417	96.50.550
.37	430	96.50.550	.37	410	96.50.525	.325	360	96.50.475	.37	424	96.50.550	.37	430	96.50.550
.38	443	96.50.575	.38	423	96.50.550	.337	373	96.50.500	.38	436	96.50.550	.38	442	96.50.575
.40	455	96.50.575	.40	435	96.50.550	.350	385	96.50.500	.40	449	96.50.575	.40	455	96.50.575
.41	468	96.50.600	.41	448	96.50.575	.362	398	96.50.525	.41	461	96.50.575	.41	470	96.50.600
.42	480	96.50.600	.42	460	96.50.575	.375	410	96.50.525	.42	474	96.50.600	.42	480	96.50.600
.43	493	96.50.625	.43	473	96.50.600	.387	423	96.50.550	.43	486	96.50.600	.43	492	96.50.625
.45	505	96.50.625	.45	485	96.50.600	.400	435	96.50.550	.45	499	96.50.625	.45	505	96.50.625
.46	518	96.50.650	.46	498	96.50.625				.46	511	96.50.625	.46	517	96.50.650
.47	530	96.50.650	.47	510	96.50.625				.47	524	96.50.650	.47	530	96.50.650
.48	543	96.50.675	.48	523	96.50.650				.48	536	96.50.650	.48	542	96.50.675
.50	555	96.50.675	.50	535	96.50.650				.50	549	96.50.675	.50	555	96.50.675
.51	568	96.50.700	.51	548	96.50.675				.51	561	96.50.675	.51	567	96.50.700
.52	580	96.50.700	.52	560	96.50.675				.52	574	96.50.700	.52	580	96.50.700
.53	593	96.50.725	.53	573	96.50.700				.53	586	96.50.700	.53	592	96.50.725
.55	605	96.50.725	.55	585	96.50.700				.55	599	96.50.725	.55	605	96.50.725
.60	655	96.50.775	.60	635	96.50.750				.60	649	96.50.775	.60	655	96.50.775



igus® E4 rol e-chain® and steel guide trough

For the following igus® series

E4.1

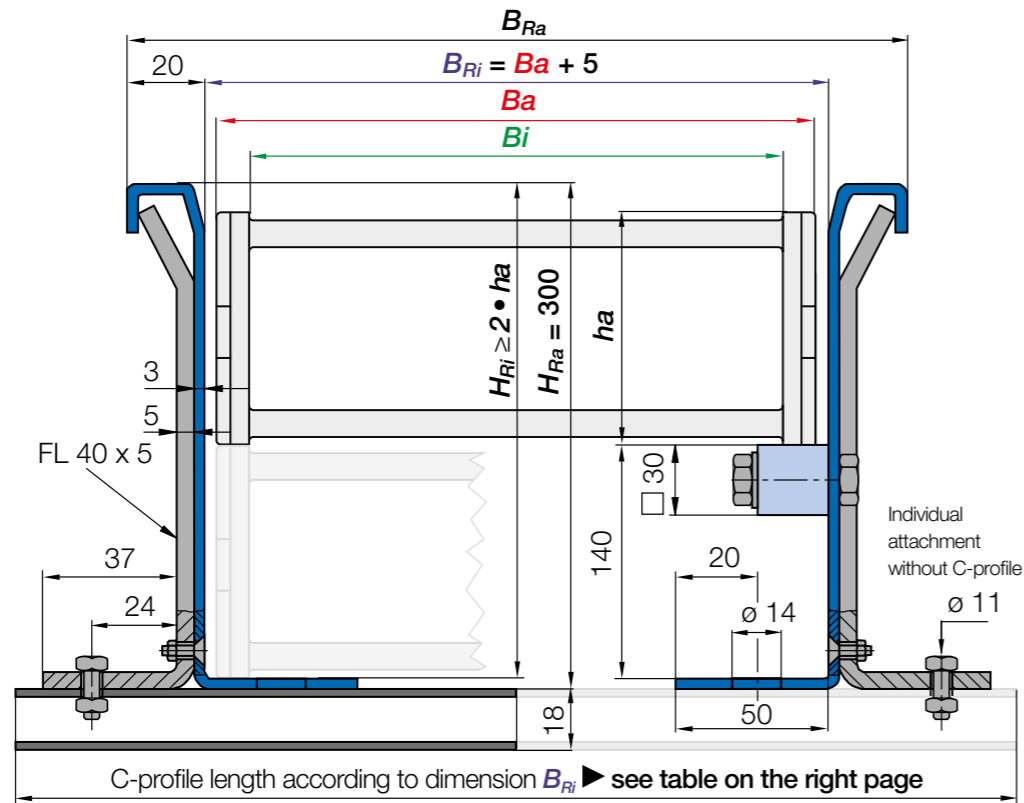
- E4.112/R4.112

E4/light

- 1640/R1608

Option: with reinforced mounting angles for extremely demanding heavy-duty applications

Note: The inner width of the guide trough and the C-profile length of the installation set can differ according to the mounting bracket you choose. Please call us.



C-profile length according to dimension B_{Ri} ▶ see table on the right page

Steel guide trough | Full set

Trough side parts sets	Part No.	Weight
1 set of 2 trough side parts, without glide bars, 2m section	98.30.E ¹⁾ / E44 ²⁾ / E45 ³⁾	≈ 34.60kg
1 set of 2 trough side parts, with glide bars, bolted, 2m section	98.31.E ¹⁾ / E44 ²⁾ / E45 ³⁾	≈ 39.00kg
Installation sets	Part No.	Weight
1 installation set without C-profile	98.50	≈ 1.16kg
1 installation set with C-profile (C-profile length according to dimension B_{Ri})	98.50.XXX*	upon request

*Please add the C-profile length **XXX** as shown on the tables on the right page. Example: **98.50.350**

Steel guide trough | Components as individual parts

Individual parts, trough	Part No.	Weight
1 trough side part, individual, 2m section	98.11.E ¹⁾ / E44 ²⁾ / E45 ³⁾	≈ 17.30kg
1 glide bar, plastic, individual, 2m section	93.01	≈ 1.68kg
1 glide bar, individual, 2m section + 11 screw sets	93.20	≈ 2.22kg
1 package with 11 screw sets (for glide bar, 2m section)	93.21	≈ 0.54kg
Individual parts, installation set	Part No.	Weight
1 clamping bracket, individual	98.51	≈ 0.52kg
1 countersunk-head screw, individual	92.05 / M8 x 20	
1 hexagon nut, individual	92.04 / M8	
1 hexagon-head screw, individual	92.55 / M10 x 16	
1 glide nut, individual	92.56 / M10	
1 C-profile, individual (C-profile length according to dimension B_{Ri})	92.52.XXX*.E ¹⁾	≈ 0.90kg/m
Additional option for simple fixing of the e-chain® without drilling	Part No.	Weight
1 set fixed end module (more information ▶ Page 1240)	98.80.01	≈ 34.60kg

*Please add the C-profile length **XXX** as shown on the tables on the right page. Example: **92.52.375.E**

1) Trough side parts + C-profile - also available in 304 stainless steel, material 1.4301 (AISI 304). Please add index **E** to the Part No.


2) Trough side parts - also available in 316 stainless steel, material 1.4404 (AISI 316L). Please add index **E44** to the Part No.

3) Trough side parts - also available in 316 stainless steel, material 1.4571 (AISI 316Ti). Please add index **E45** to the Part No.

E4.112/R4.112			1640/R1608		
Width index	B_{Ri} [mm]	Part No. Installation set	Width index	B_{Ri} [mm]	Part No. Installation set
.05	107	98.50.225	.05	89	upon request
.06	122	98.50.250	.06	104	98.50.225
.07	132	98.50.250	.07	114	98.50.250
.10	157	98.50.275	.08	124	98.50.250
.11	169	98.50.300	.10	139	98.50.275
.12	182	98.50.300	.11	151	98.50.275
.13	194	98.50.325	.12	164	98.50.300
.15	207	98.50.325	.13	176	98.50.300
.16	219	98.50.350	.15	189	98.50.325
.17	232	98.50.350	.16	201	98.50.325
.18	244	98.50.375	.17	214	98.50.350
.20	257	98.50.375	.18	226	98.50.350
.21	269	98.50.400	.20	239	98.50.375
.22	282	98.50.400	.21	251	98.50.375
.23	294	98.50.425	.22	264	98.50.400
.25	307	98.50.425	.23	276	98.50.400
.26	319	98.50.450	.25	289	98.50.425
.27	332	98.50.450	.26	301	98.50.425
.28	344	98.50.475	.27	314	98.50.450
.30	357	98.50.475	.28	326	98.50.450
.31	369	98.50.500	.30	339	98.50.475
.32	382	98.50.500	.31	351	98.50.475
.33	394	98.50.525	.32	364	98.50.500
.35	407	98.50.525	.33	376	98.50.500
.36	419	98.50.550	.35	389	98.50.525
.37	432	98.50.550	.36	401	98.50.525
.38	444	98.50.575	.37	414	98.50.550
.40	457	98.50.575	.38	426	98.50.550
.41	469	98.50.600	.40	439	98.50.575
.42	482	98.50.600	.41	451	98.50.575
.43	494	98.50.625	.42	464	98.50.600
.45	507	98.50.625	.43	476	98.50.600
.46	519	98.50.650	.45	489	98.50.625
.47	532	98.50.650	.46	501	98.50.625
.48	544	98.50.675	.47	514	98.50.650
.50	557	98.50.675	.48	526	98.50.650
.51	569	98.50.700	.50	539	98.50.675
.52	582	98.50.700	.51	551	98.50.675
.53	594	98.50.725	.52	564	98.50.700
.55	607	98.50.725	.53	576	98.50.700
.60	657	98.50.775	.55	589	98.50.725
			.60	639	98.50.775



E4 e-chain® with several extension links for extreme fill weights, guided in igus® steel trough over long travel distances in rough seas

 For the following igus® series

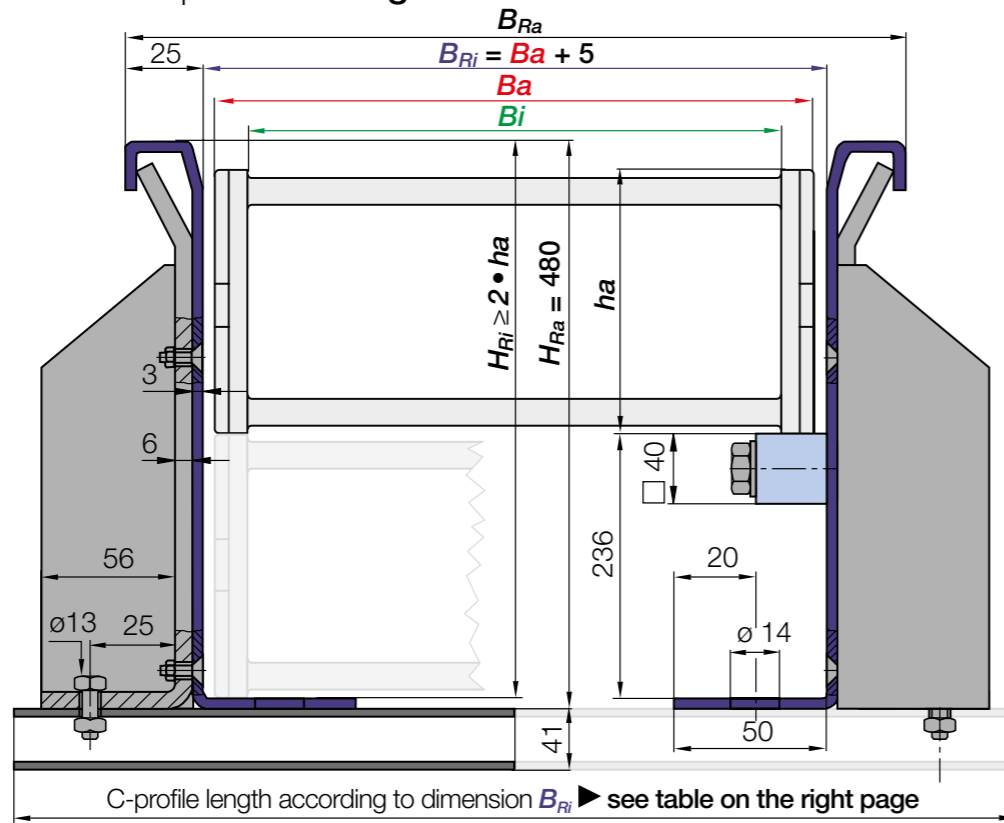
E4.1

- 800
- 840



Option: with reinforced mounting angles for extremely demanding heavy-duty applications

Note: The inner width of the guide trough and the C-profile length of the installation set can differ according to the mounting bracket you choose. Please call us.



Steel guide trough | Full set

Trough side parts sets	Part No.	Weight
1 set of 2 trough side parts, without glide bars, 2m section	90.30.E ¹⁾ / E44 ²⁾ / E45 ³⁾	≈ 53.40kg
1 set of 2 trough side parts, with glide bars, bolted, 2m section	90.31.E ¹⁾ / E44 ²⁾ / E45 ³⁾	≈ 59.40kg
Installation sets	Part No.	Weight
1 installation set without C-profile	90.50	≈ 0.41kg
1 installation set with C-profile (C-profile length according to dimension B_{Ri})	90.50.XXX*	upon request

*Please add the C-profile length **XXX** as shown on the tables on the right page. Example: 90.50.450

Steel guide trough | Components as individual parts

Individual parts, trough	Part No.	Weight
1 trough side part, individual, 2m section	90.11.E ¹⁾ / E44 ²⁾ / E45 ³⁾	≈ 26.70kg
1 glide bar, plastic, individual, 2m section	90.01	≈ 1.68kg
1 glide bar, individual, 2m section + 11 screw sets	90.20	≈ 2.22kg
1 package with 11 screw sets (for glide bar, 2m section)	90.21	≈ 0.54kg
Individual parts, installation set	Part No.	Weight
1 clamping bracket, individual	90.51	≈ 0.52kg
1 countersunk-head screw, individual	MAT0040014 / M8 x 25	
1 hexagon nut, individual	MAT0040012 / M8	
1 hexagon-head screw, individual	MAT0040384 / M12 x 30	
1 glide nut, individual	MAT0040385 / M12	
1 C-profile, individual (C-profile length according to dimension B_{Ri})	IE70.41-41.XXX*.E ¹⁾	≈ 0.90kg/m
Additional option for simple fixing of the e-chain® without drilling	Part No.	Weight
1 set fixed end module (more information ► Page 1240)	90.80.01**	≈ 53.40kg

*Please add the C-profile length **XXX** as shown on the tables on the right page. Example: IE70.41-41.450.E

1) Trough side parts + C-profile - also available in 304 stainless steel, material 1.4301 (AISI 304). Please add index **E** to the Part No.

2) Trough side parts - also available in 316 stainless steel, material 1.4404 (AISI 316L). Please add index **E44** to the Part No.

3) Trough side parts - also available in 316 stainless steel, material 1.4571 (AISI 316Ti). Please add index **E45** to the Part No.

**Fixed end module available upon request. Please consult igus® for delivery time.

800			840		
Width index	B_{Ri} [mm]	Part No. Installation set	Width index	B_{Ri} [mm]	Part No. Installation set
.20	265	90.50.450	.13	165	90.50.350
.25	315	90.50.500	.15	178	90.50.350
.30	365	90.50.550	.16	190	90.50.375
.32	390	90.50.575	.17	203	90.50.375
.35	415	90.50.600	.18	215	90.50.400
.40	465	90.50.650	.20	228	90.50.400
.45	515	90.50.700	.21	240	90.50.425
.50	565	90.50.750	.22	253	90.50.425
.55	615	90.50.800	.23	265	90.50.450
.60	665	90.50.850	.25	278	90.50.450
			.26	290	90.50.475
			.27	303	90.50.475
			.28	315	90.50.500
			.30	328	90.50.500
			.31	340	90.50.525
			.32	353	90.50.525
			.33	365	90.50.550
			.35	378	90.50.550
			.36	390	90.50.575
			.37	403	90.50.575
			.38	415	90.50.600
			.40	428	90.50.600
			.41	440	90.50.625
			.42	453	90.50.625
			.43	465	90.50.650
			.45	478	90.50.650
			.46	490	90.50.675
			.47	503	90.50.675
			.48	515	90.50.700
			.50	528	90.50.700
			.51	540	90.50.725
			.52	553	90.50.725
			.53	565	90.50.750
			.55	578	90.50.750
			.60	628	90.50.800



Assembly of an E4 e-chain® series 800 in a steel guide trough